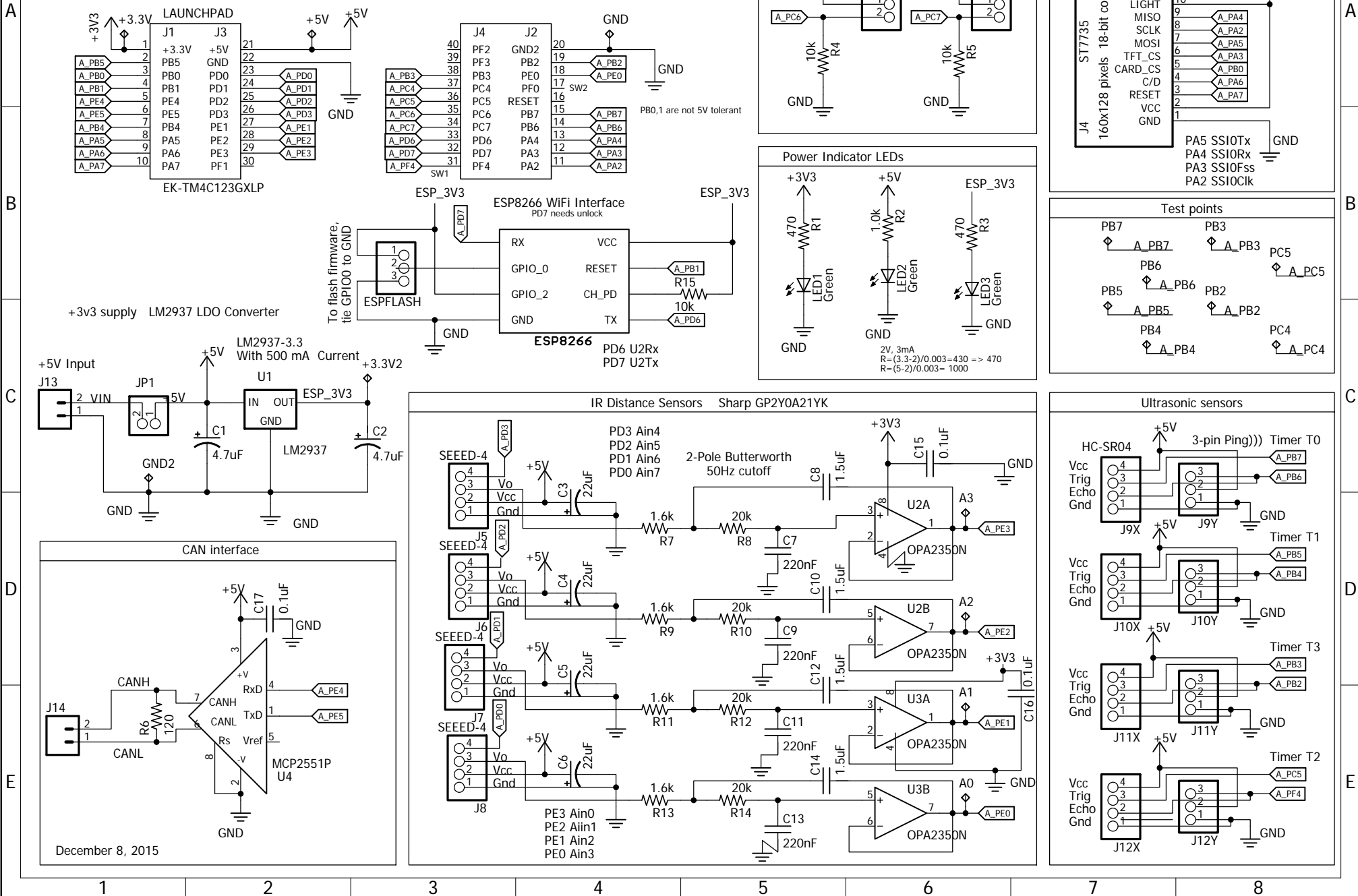


Sensor Board version 3

Jon Valvano / Daniel Valvano/ Steven Prickett
 December 8, 2015
 EE445M/EE380L.6



December 8, 2015