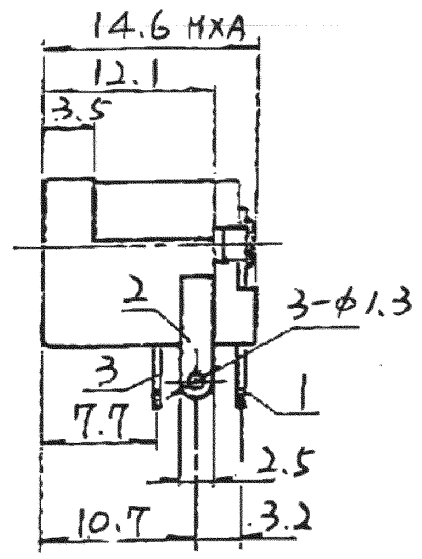
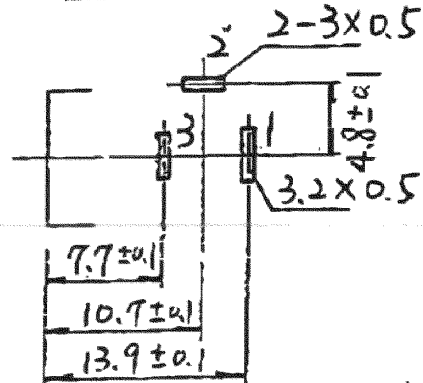
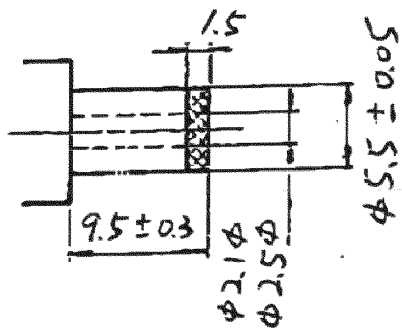


Male Plug



HOLE LAYOUT



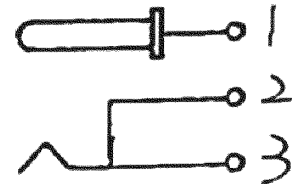
NOTES :

- CONTACT RESISTANCE : 30m Ohm MAX.
- INSULATION RESISTANCE : 500M Ohm MIN. 100 V DC.
- INSULATION WITHSTAND VOLTAGE : 250 V AC R.M.S. FOR ONE MINUTE.
- INSERTION FORCE : 0.4 Kg - 2 Kg  
EXTRACTION FORCE : 0.4 Kg - 2 Kg
- LIFE TIME : 5000 CYCLES OF INSERTION AND EXTRACTION WITH THE TESTING PLUG.

MATERIAL :

- MOVABLE CONTACT : COPPER ALLOY, SILVER PLATED.
- FIXED CONTACT : BRASS, SILVER PLATED.
- TERMINAL : BRASS, SILVER PLATED.
- MOUNTING PIN : BRASS, NICKEL PLATED.
- PLASTIC HOUSING & COVER : PBT.

Schematic



TOLERANCE	UNIT	m/m	PART NAME :
X. ±0.5	SCALE	2 : 1	DC POWER JACK
X.X. ±0.3	DATE	JAN, 01, 99	PART NO. :
X.XX ±0.15			DC-470 (2.0 φ)
ANGLE ±3°			DC-470A (2.5 φ)