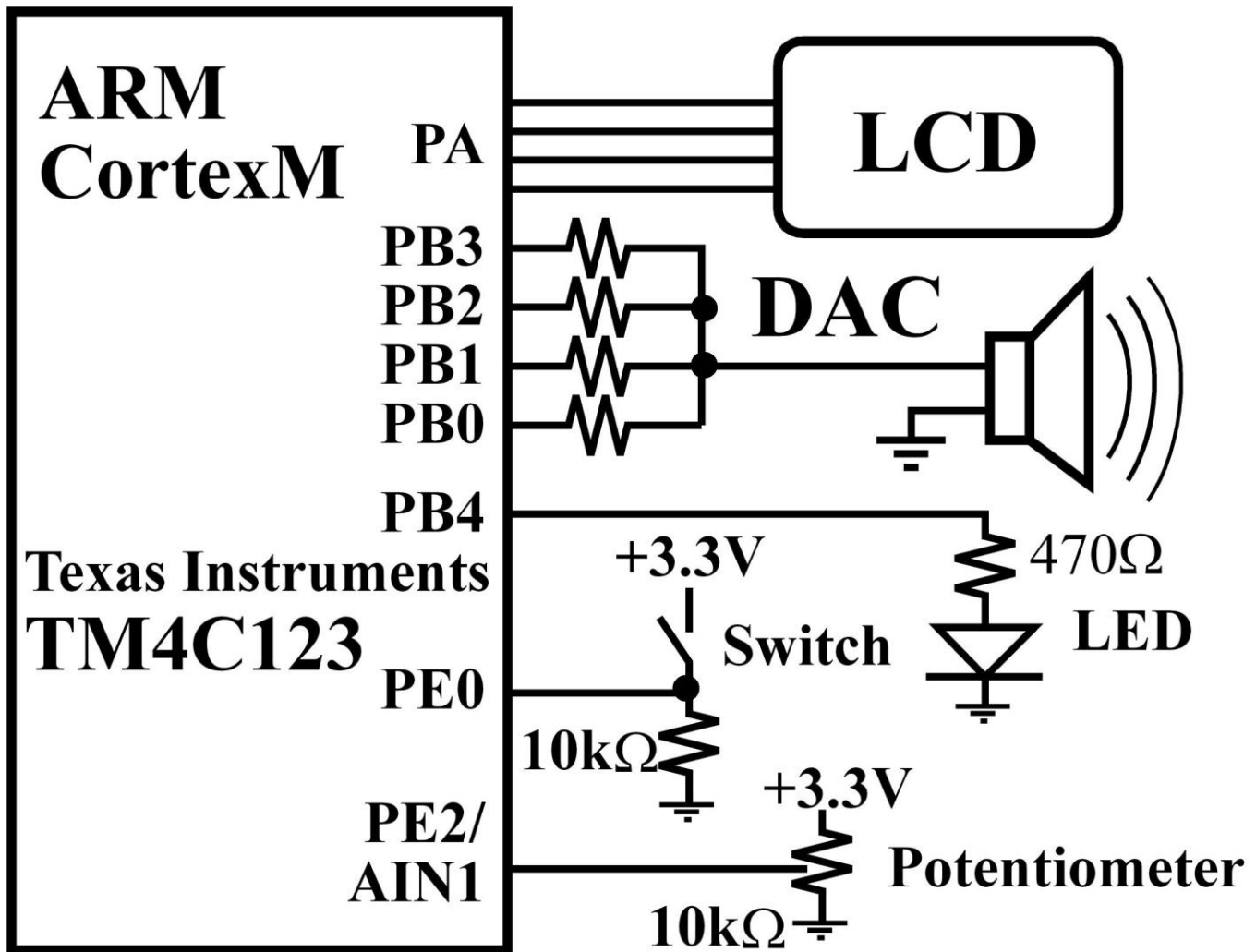


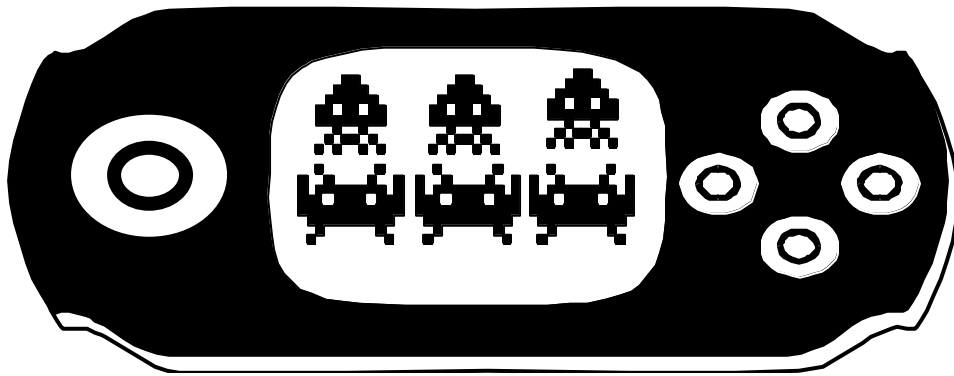
WHAT'S THIS?



Electrical and Computer Engineering
The University of Texas at Austin™

BEST DESIGN

Valvano's Embedded Systems Competition



THE UNIVERSITY OF TEXAS AT AUSTIN™

Electrical and Computer
Engineering