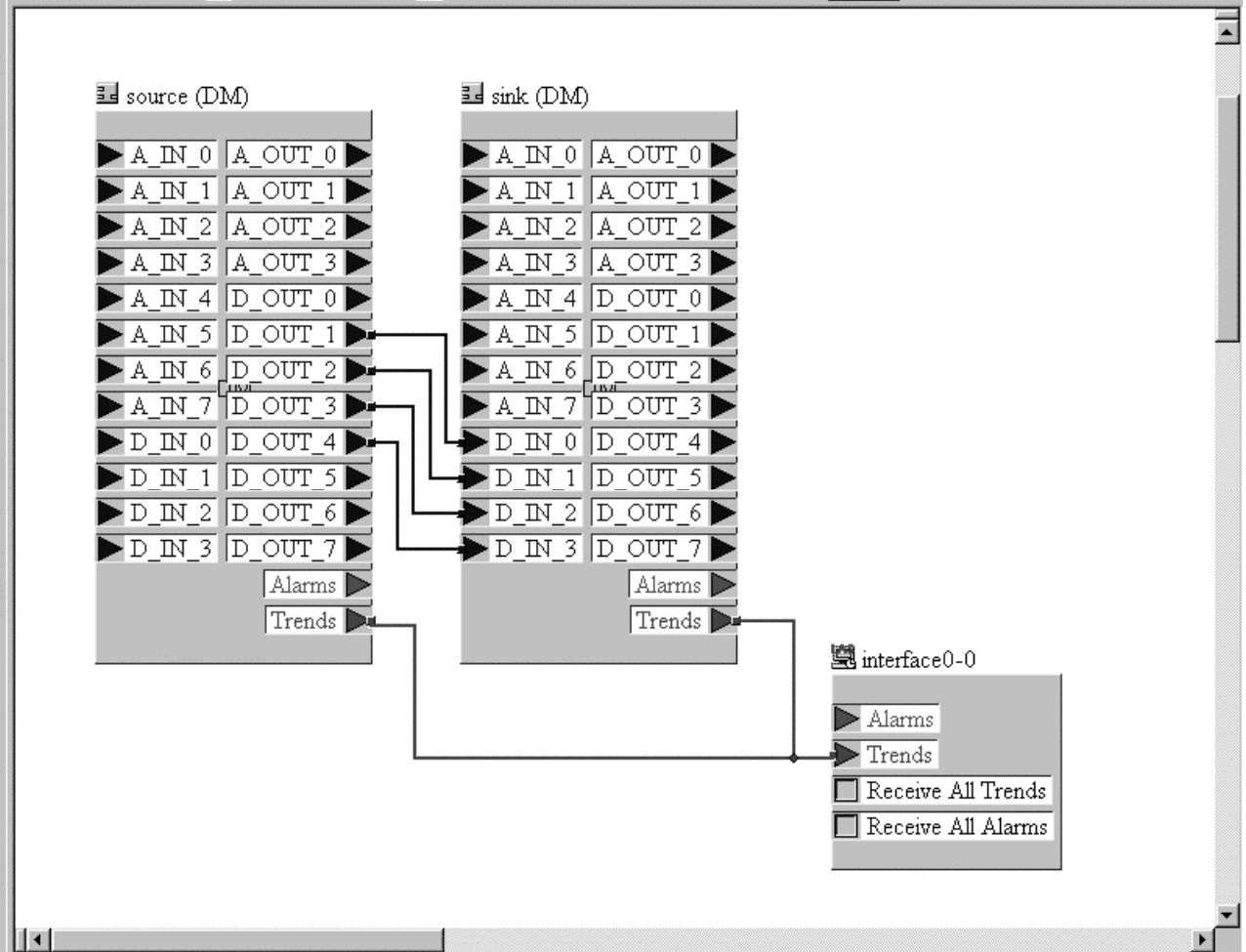


An Application of Dataflow

- 1. Fieldbus blocks are a form of SDF
 - 1.1 Composed of actors (stars) that produce and consume data tokens
 - 1.2 Statically scheduled
- 2. Blocks are usually considered atomic entities
- 3. Not any more.

- interface0-0
 - Log / Notes
 - Network Parameters
 - Schedule
 - Function Block Application
 - interface0-0
 - Fieldpoint-4E49434005
 - rb (RB)
 - source (DM)
 - sink (DM)



End task configure link

\\Status\Download\Error

Apply Values

source (DM)

Periodic Updates 2 (sec)

OOS Auto

test Process Options Diagnostics Trends Others Expression

```
d_out_1 = Id_out_1;  
if (d_out_1) d_out_2 = Id_out_2;  
if (d_out_2) d_out_3 = Id_out_3;  
if (d_out_3) d_out_4 = Id_out_4;
```

Write Changes Read All

sink (DM)

| | |
|--------|---------|
| A_IN_0 | A_OUT_0 |
| A_IN_1 | A_OUT_1 |
| A_IN_2 | A_OUT_2 |
| A_IN_3 | A_OUT_3 |
| A_IN_4 | D_OUT_0 |
| A_IN_5 | D_OUT_1 |
| A_IN_6 | D_OUT_2 |
| A_IN_7 | D_OUT_3 |
| D_IN_0 | D_OUT_4 |
| D_IN_1 | D_OUT_5 |
| D_IN_2 | D_OUT_6 |

Fieldpoint-4E49434005_FP3000_00A : sink (DM)

Apply Values

sink (DM)

Periodic Updates 2 (sec)

OOS Auto

test Process Options Diagnostics Trends Others Expression

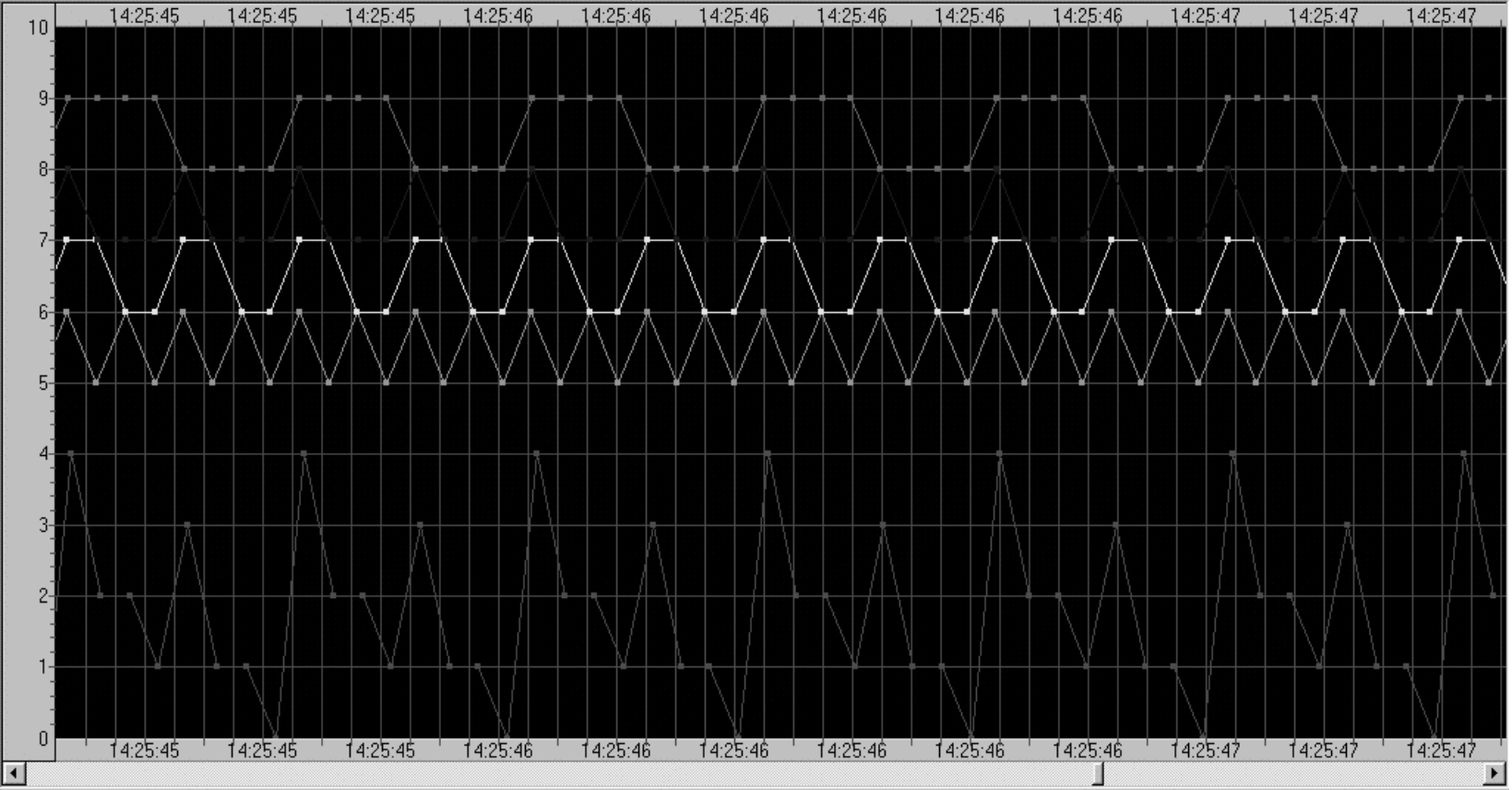
```
a_out_0 = d_in_0 + d_in_1 + d_in_2 + d_in_3;
```

Write Changes Read All

Tdm - NI-FBUS Trend Monitor

File Run View Help

2 sec



| Add | Tag | Color | Line Style | Offset | Last | Max | Min | Status |
|-------------------------------------|----------------|-------|------------|--------|------|-----|-----|--------|
| <input checked="" type="checkbox"/> | sink.A_OUT_0 | | | 0 | 3 | 4 | 0 | 0x1c |
| <input checked="" type="checkbox"/> | source.D_OUT_1 | | | 5 | 1 | 1 | 0 | 0x1c |
| <input checked="" type="checkbox"/> | source.D_OUT_2 | | | 6 | 0 | 1 | 0 | 0x1c |
| <input checked="" type="checkbox"/> | source.D_OUT_3 | | | 7 | 0 | 1 | 0 | 0x1c |
| <input checked="" type="checkbox"/> | source.D_OUT_4 | | | 8 | 1 | 1 | 0 | 0x1c |

Ready Stopped 2:28 PM

Start e... elan EI... NI... P... C... U... Tr... T... L... W... m... M... M... 3... U... 2:28 PM