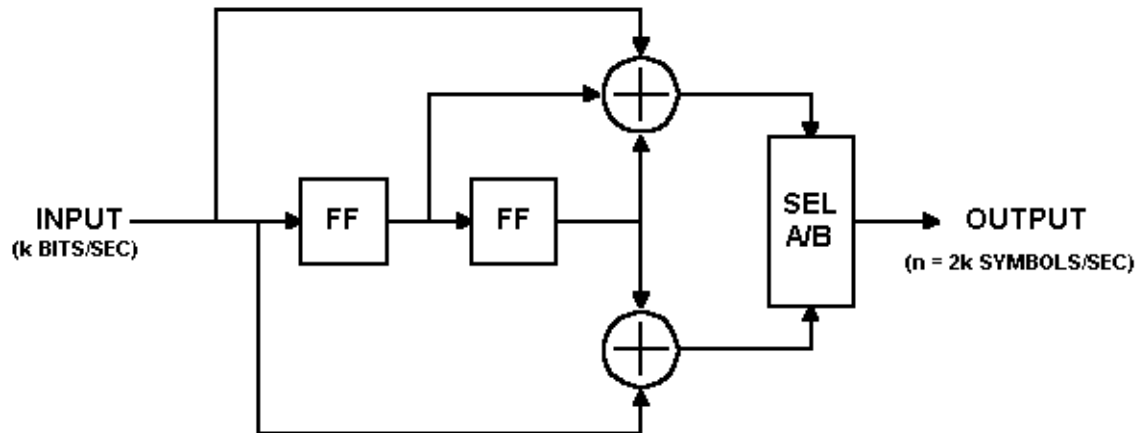


Problem: Viterbi Decoder

The following circuit is used to Viterbi encode a bit stream:



Determine the most likely input stream given the following received stream:

[11, 10, 10, 00, 11, 11, 01, 11] **NOTE:** Last two bits are the flushing bits

The following document will help understand what you need to do:

http://www.ece.utexas.edu/~gerstl/ee382v-ics_f09/lectures/Viterbi.pdf