

Fig.3 Decode Stage (DE-Stage)

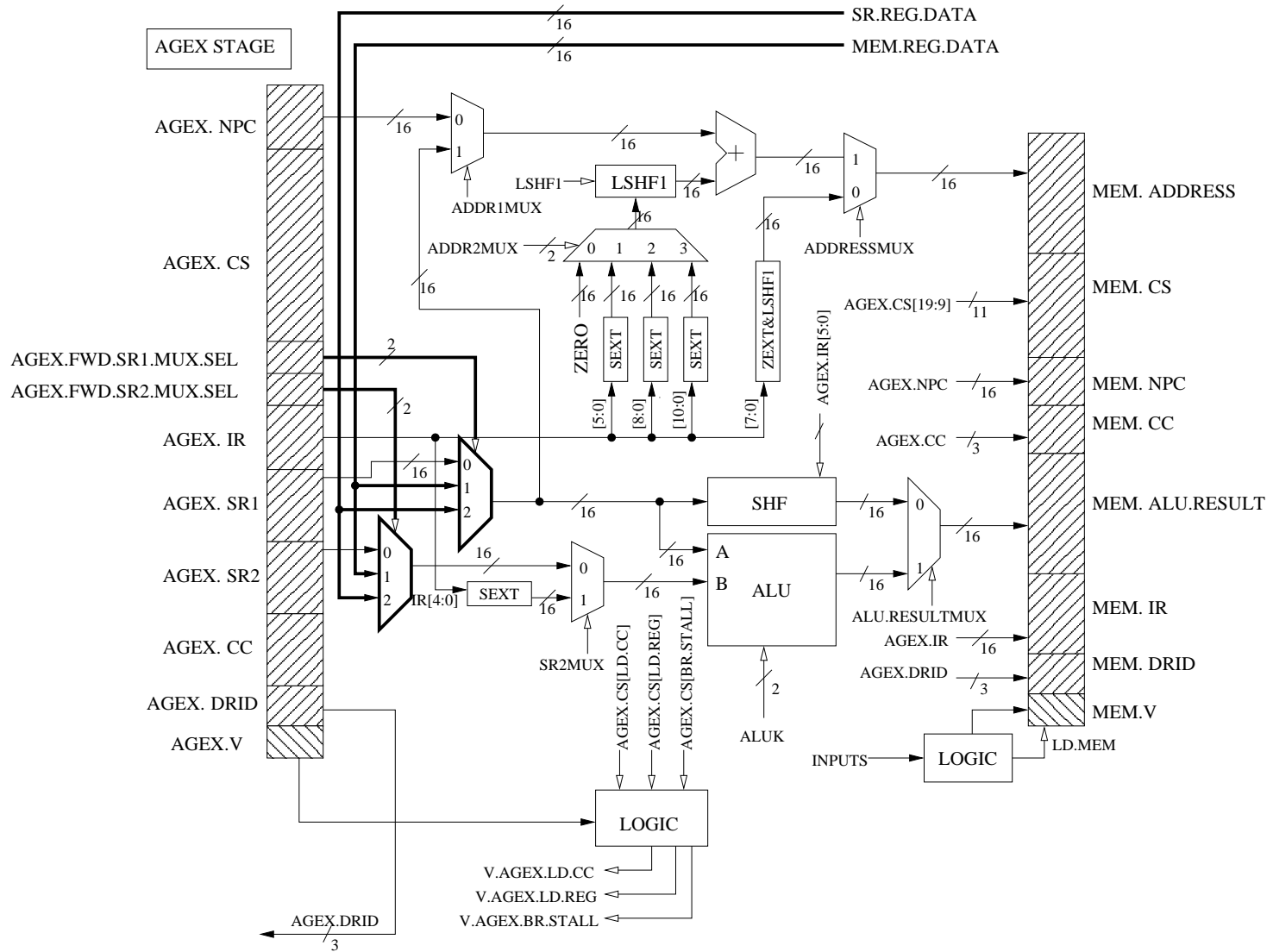


Fig.4 Address Generation Stage (AGEX-Stage)

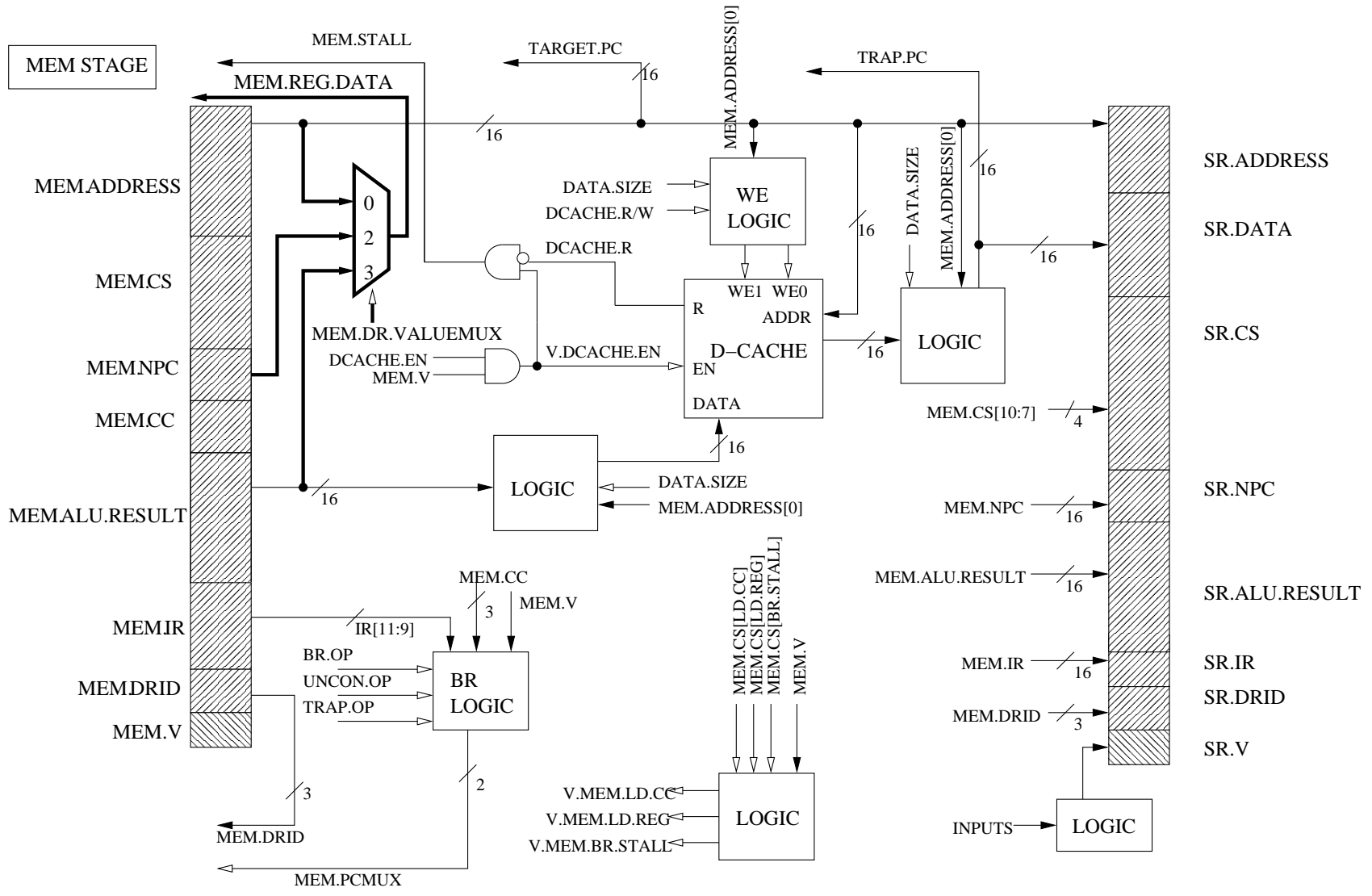


Fig. 5 Memory Stage (MEM-Stage)

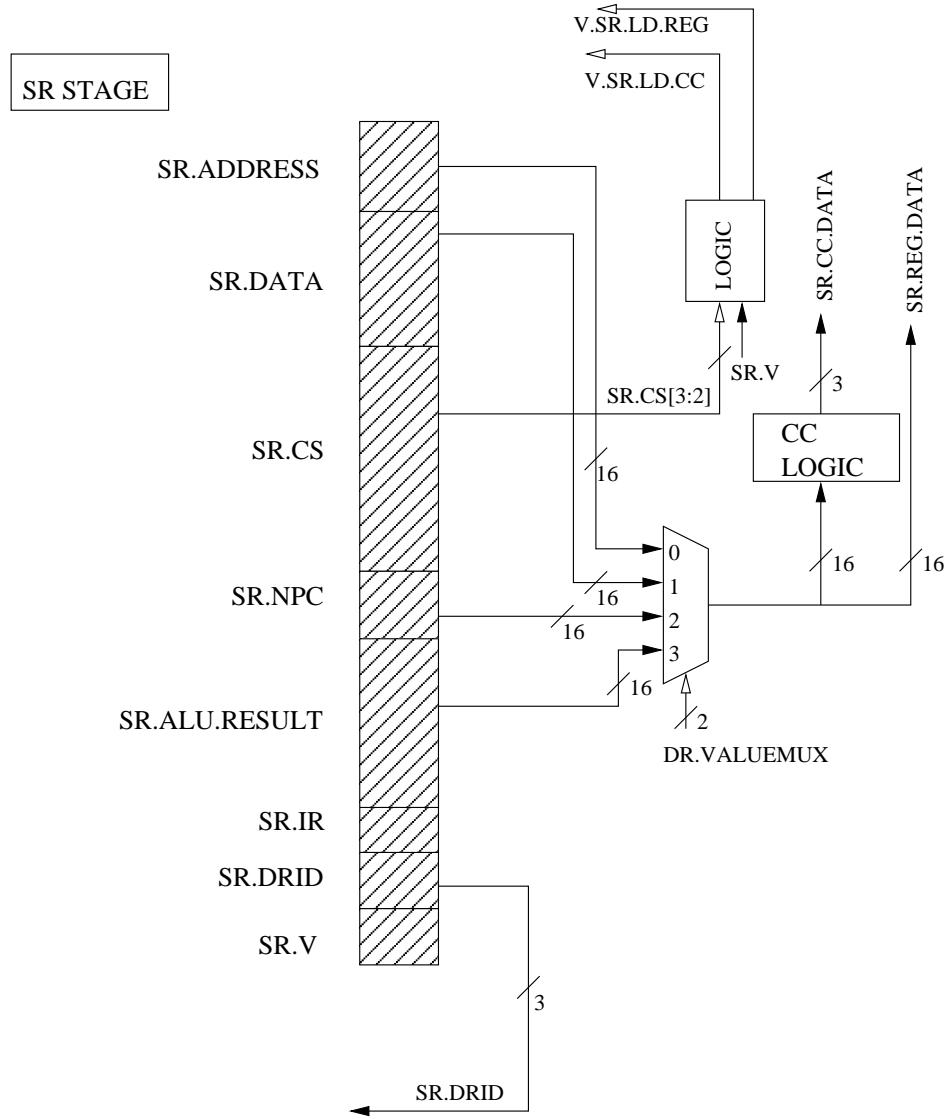


Fig.6 Store Result Stage (SR-Stage)