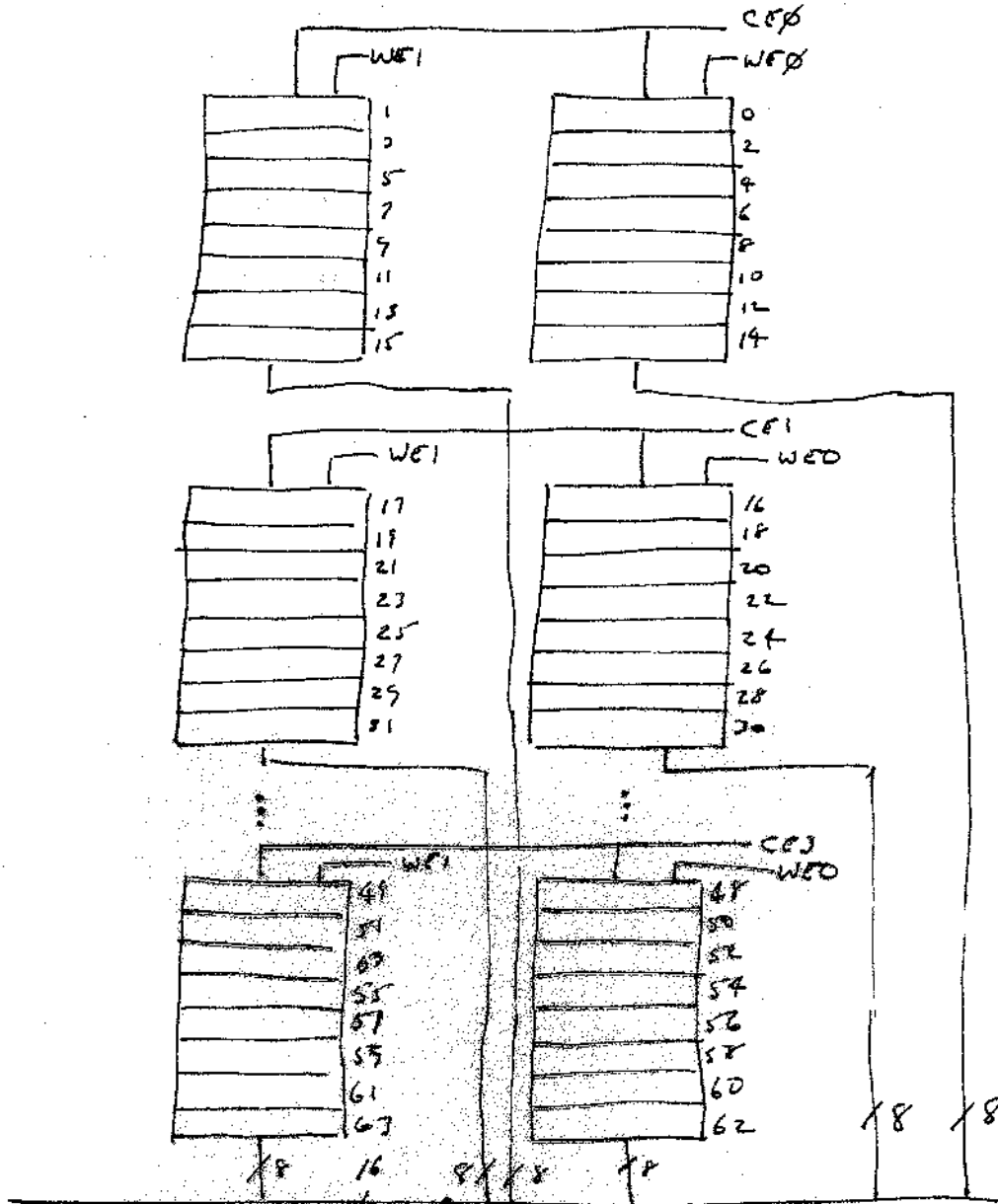
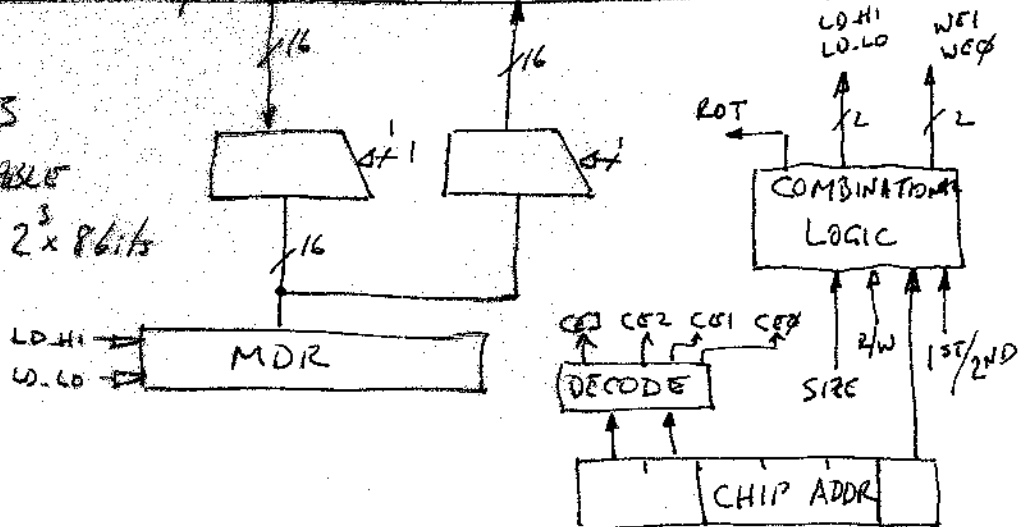


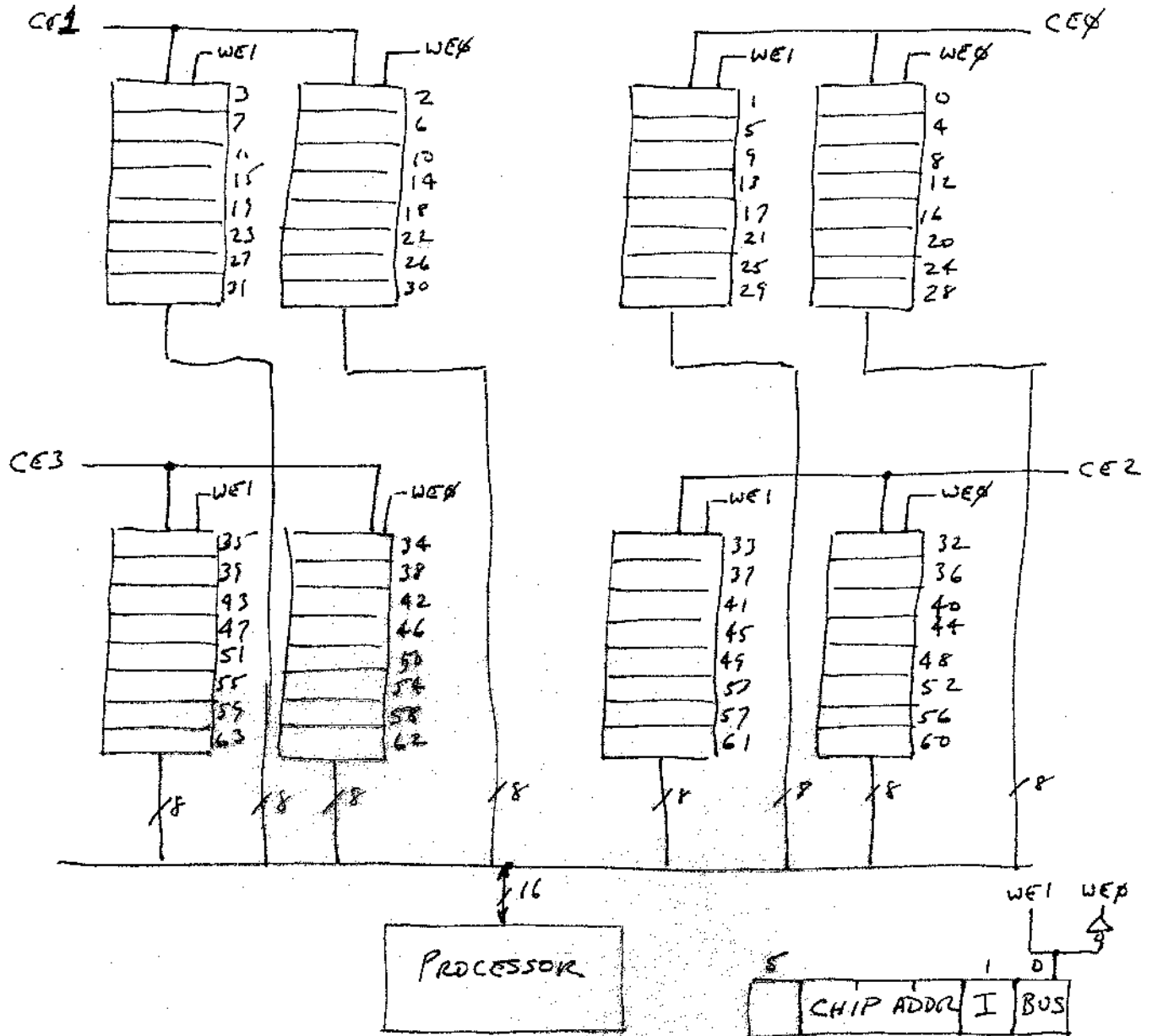
# UN-ALIGNED ACCESS (NON-INTERLEAVED)



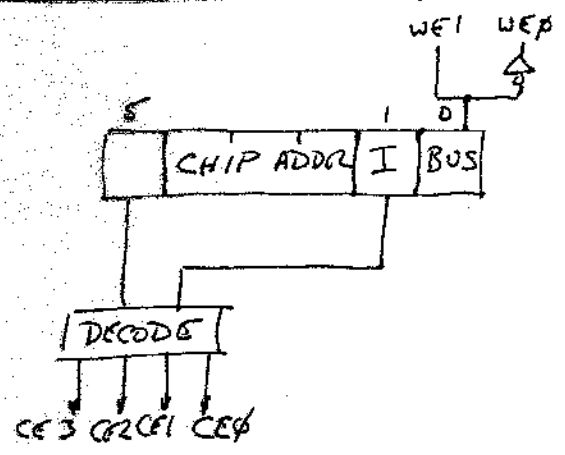
Memory : 64 B  
 BYTE ADDRESSABLE  
 EACH CHIP :  $2^3 \times 8 \text{ bits}$



# INTERLEAVING (SHT 1)



64 BYTES OF MEMORY  
 EACH CHIP :  $2^3 \times 8$  bits  
 BYTE - ADDRESSABLE MEMORY  
 16 BIT BUS  
 TWO-WAY INTERLEAVED



# INTERLEAVING (SHT 2)

