

Department of Electrical and Computer Engineering
The University of Texas at Austin

EE 460N Spring 2013
Y. N. Patt, Instructor
Faruk Guvenilir, Sumedha Bhangale, Stephen Pruet, TAs
Exam 1
March 6, 2013

Name: _____

Problem 1 (20 points): _____

Problem 2 (20 points): _____

Problem 3 (20 points): _____

Problem 4 (20 points): _____

Problem 5 (20 points): _____

Total (100 points): _____

Note: Please be sure that your answers to all questions (and all supporting work that is required) are contained in the space provided.

Note: Please be sure your name is recorded on each sheet of the exam.

Please sign the following. I have not given nor received any unauthorized help on this exam.

Signature: _____

GOOD LUCK!

Name: _____

Problem 1 (20 points)

Part a (5 points): A microarchitecture is predicting whether a branch is taken or not taken using a single saturating 2-bit counter. The last five branches were: taken, taken, taken, taken, not taken. What does the branch predictor predict? **Circle one:** Taken/Not Taken. Explain.

Part b (5 points): The LC-3b data path has several tri-states connected to the bus: Gate_MDR, Gate_PC, Gate_ALU, to name a few. What is the maximum number of these signals that can be asserted in a single clock cycle if you are sourcing the bus in that cycle?

Answer:

Explain.

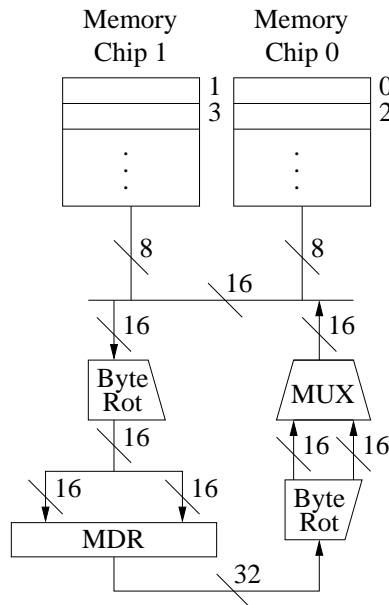
Part c (5 points): If you were asked to design the HEP processor, which branch predictor would you use? Explain.

Part d (5 points): To perform a DRAM access, do you always need to assert the Row Address Strobe (RAS) so that the high bits of address are applied to the DRAM chip? **Circle one:** Yes/No. Why or why not? Explain.

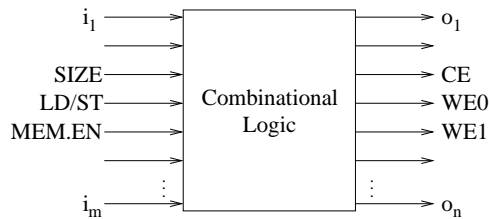
Name: _____

Problem 2 (20 points)

A 2 MB, byte addressable physical memory consists of two 1MB memory chips (20 bit address, 8 bits of data), connected to a 16 bit data bus. The processor is a 32-bit machine, i.e., the ALU processes 32-bit data, registers are 32 bits wide, etc. The instruction set allows byte, half-word, and 32-bit word loads via LD8, LD16, and LD32 instructions. Note that Memory Chip 0 is connected to the low 8 bits of the bus, and Memory Chip 1 is connected to the high 8 bits of the bus. You should assume anything that is not explicitly stated should be treated as discussed in class and as treated for the unaligned question on the problem set.



To accomplish all memory accesses, the system requires a control logic unit containing m inputs (i_1 through i_m) and n outputs (o_1 through o_n), as shown below:



Note that a few of the control signals have been provided.

Part a (5 points): Identify all n control signals. Unaligned access is allowed.

Name: _____

Problem 2 continued

Part b (6 points): Identify all **m** inputs to the control in the table below. Note that LD/ST, SIZE, and MEM.EN have been provided. Note that some rows in the table may not be needed.

Control Signal	Purpose	Values
LD/ST	Load or Store	Load, Store
SIZE	Data Size	Byte, Halfword, Word
MEM.EN	Enable Memory	No, Yes

Part c (9 points): We wish to process the instruction LD32 R1, A. Recall LD32 means load 32 bits of data from A into the 32-bit register R1.

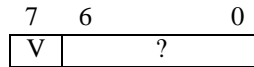
Construct those rows of the **m**-input, **n**-output truth table that are needed to guarantee that the correct 32 bits of data are loaded into the MDR as a result of LD32 R1,A. Assume a little endian ISA. Note that some rows in the table may not be needed.

Name: _____

Problem 3 (20 points)

Assume a 256-byte, byte-addressable virtual memory system of the same style as the VAX discussed in class. Physical memory address space is 128 bytes, consisting of 16 page frames. We will assume virtual address space is divided equally between a single process (user) region starting at VA 0x00, and a single system region starting at VA 0x80 (i.e., two regions, not four).

Each page requires a one-byte PTE, as shown below:



Note that the actual location of the PFN within the PTE is not specified. But, the bits of PFN are continuous within the PTE.

Like the VAX, the user space Page Table is in System Virtual Memory, and the System Page Table is in physical memory.

The table below lists the sequence of accesses to physical memory required by **n** consecutive LD_Byte instructions (excluding instruction fetch) to addresses in user virtual space. Exactly one of those instructions resulted in a TLB miss (the TLB only contains PTEs for user space). No page faults occurred during these accesses.

	Physical Address	Data	TLB Hit?
Access 1	1111001	10101010	
2	1101000	10001110	
3	0111101	11010001	
4	1000001	10000001	
5	1011001	10001110	
6	0011101	11100101	
7	1001000	10111011	
8	0111001	10101110	

Part a (3 points): What is **n**? Explain.

Part b (3 points): Identify which of the accesses in the table resulted in a TLB hit by putting a check mark in the corresponding rows of the column labeled TLB hit.

Part c (4 points): What is the data returned by the LD_Byte instruction that resulted in the TLB miss?

Answer:

Name: _____

Problem 3 continued

Part d (4 points): Two of the virtual addresses listed below correspond to accesses incurred in getting from the LD.Byte instruction that resulted in the TLB miss to the actual data required. Please circle them.

Virtual Address
11000001
00010101
00101000
01011101
01101001
10111101

Part e (3 points): What is the UBR (User Space Page Table Base Register)?

Answer:

Part f (3 points): What is the SBR (System Space Page Table Base Register)?

Answer:

Name: _____

Problem 4 (20 points)

Consider a microarchitecture for an out-of-order processor, in the Tomasulo style. The data path has one adder and one multiplier. Neither is pipelined. The adder requires 4 clock cycles to execute, the multiplier requires 6 clock cycles to execute. All instructions require one cycle each for Fetch, Decode, and WriteBack. The WB bus can accommodate one result per WB cycle. Reservation station entries are allocated in program order. Instructions remain in the reservation stations until their results are written in the WB stage, and are then available for replacement by other instructions needing a reservation station slot.

We wish to execute a program fragment consisting of five instructions I1 to I5. All instructions are of the form **OPCODE DR,SR1,SR2**. Figure 1 lists the five instructions in program order. In processing these five instructions, a sequence of writes to the Reservation Stations and to the Register Alias Table occurred. Figure 2 lists that sequence in the order they occurred. Note that writes to the Reservation Stations occur at the end of Decode/Rename and writes to the Register Alias Table occur during Write Back. (Other writes occur to the Register Alias Table, but we will not concern ourselves with them in this problem).

	Opcode	DR	SR1	SR2
I1				
I2		R2		
I3				R5
I4				
I5				

Figure 1: Program Fragment

	Access	Data Traffic
I1	R/S	1 -- 7 1 -- 13
I2	R/S	1 -- <input type="text"/> 0 α --
I3	R/S	0 π -- 0 α --
I4	R/S	1 -- <input type="text"/> 1 -- <input type="text"/>
I5	RAT	α 20
	RAT	σ <input type="text"/>
	R/S	1 -- <input type="text"/> 1 -- <input type="text"/>
	RAT	π 40
	RAT	<input type="text"/> <input type="text"/>
	RAT	<input type="text"/> 260

Figure 2: Program Trace

Your job is to complete both tables. Note that one source and one destination in Figure 1 are already filled in, and many of the entries of Figure 2 are partially filled in.

Entries in Figure 2 are of the form “R/S source1 source2,” or “RAT tag value.” For example,

R/S 1 - 7 1 - 13

means a Reservation Station entry was written, and valid data values 7 and 13 obtained from the two registers identified in the corresponding instruction.

RAT α 20

means the value 20 was written to the Register Alias Table entry having the tag α .

PROBLEM IS CONTINUED ON THE NEXT PAGE!

Name: _____

Problem 4 continued

To help you complete the tables, we have included a mapping of the reservation stations, and the contents of registers R0 through R7 before and after the program fragment executes. Note that there are three reservation station entries for the multiplier and three for the adder. You are not required to fill in the reservation stations. We include this figure only to provide you with additional information you might find useful in solving the problem.

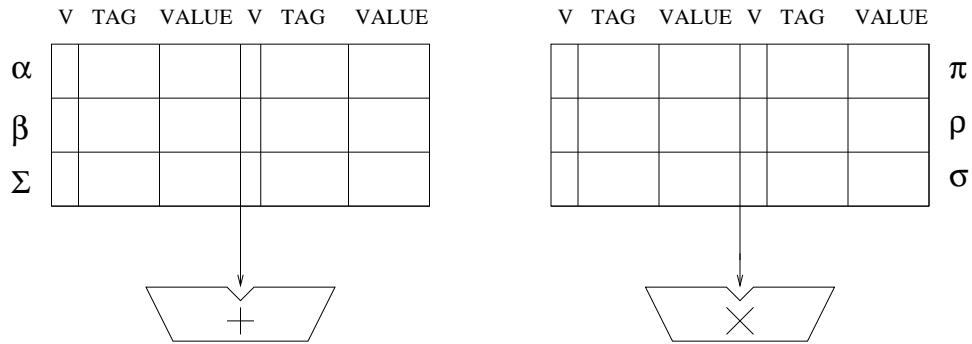


Figure 3: Reservation Stations

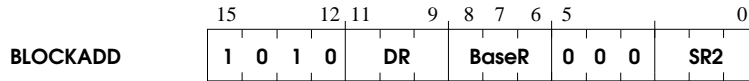
	BEFORE	AFTER
R0	4	4
R1	1	1
R2	2	21
R3	6	6
R4	3	3
R5	5	260
R6	7	7
R7	13	13

Figure 4: Contents of Registers

Name: _____

Problem 5 (20 points):

We wish to add a new instruction **BLOCKADD** to the LC-3b ISA. **BLOCKADD** sums the integers contained in a block of contiguous memory locations, writes the results to a destination register and sets the condition codes based on the sum. Its format is as follows:



where 1010 is the opcode, BaseR contains the starting address of the block of memory, and SR2 contains the number of 16-bit integers in the block.

Modifications to the data path required by **BLOCKADD** are shown below in boldface.

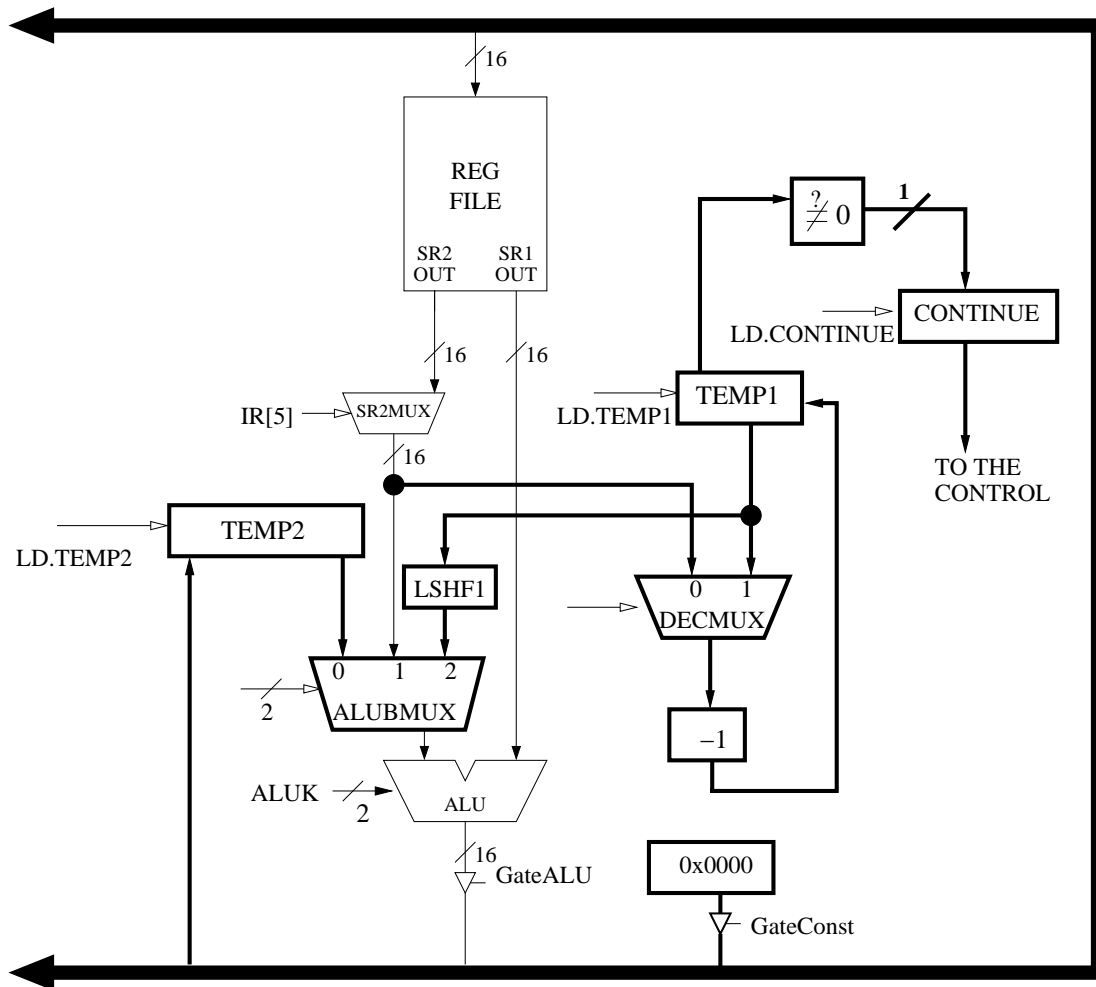


Figure 5: Modified datapath to support BLOCKADD instruction

Name: _____

Problem 5 continued:

Three things must be done to complete the task of implementing BLOCKADD.

Part a (9 points): Five new states are required in the state machine. Fill in the missing information in the state machine below. Don't forget to give each state a state number (aka control store address).

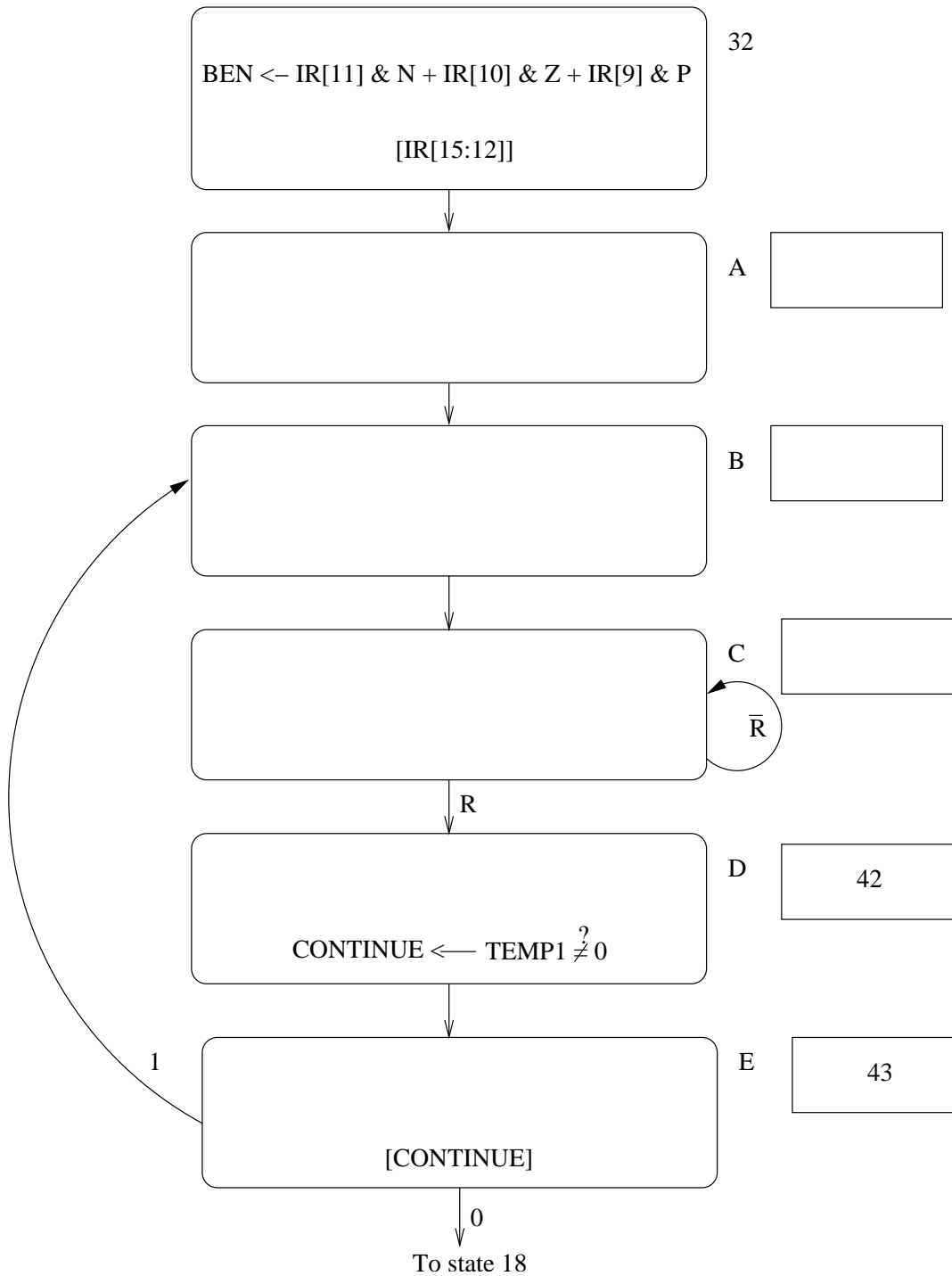
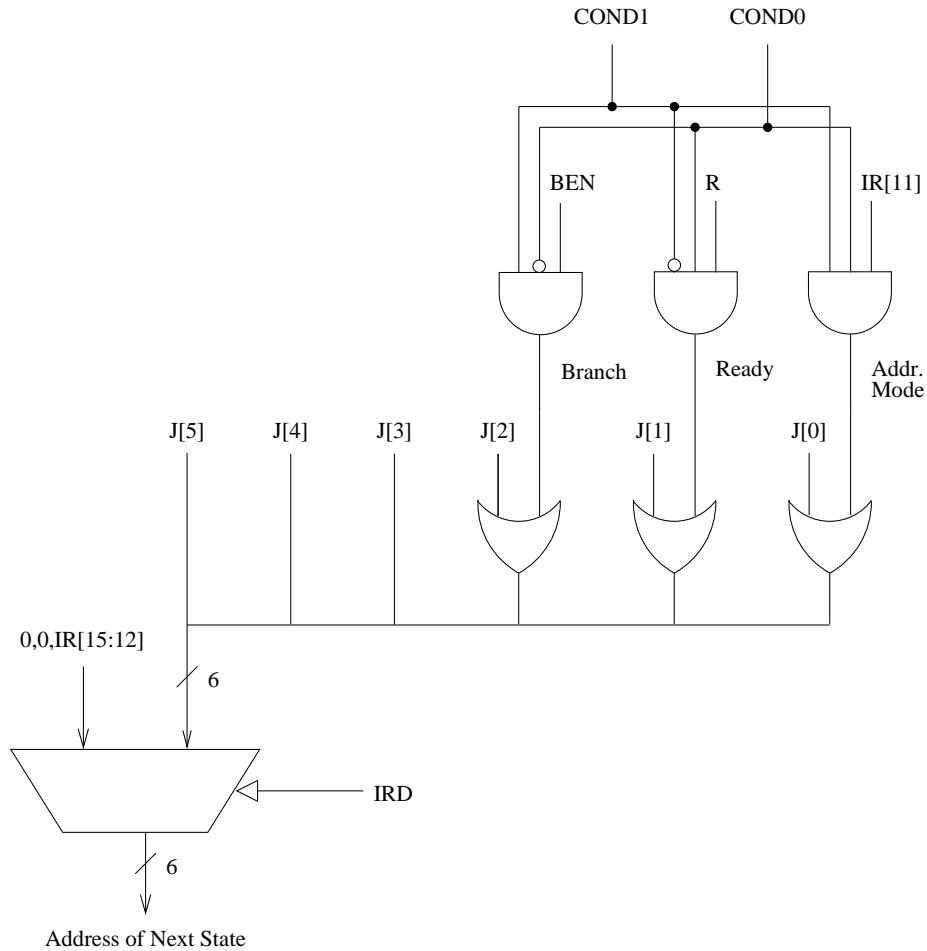


Figure 6: State diagram for BLOCKADD instruction

Name: _____

Problem 5 continued:

Part b (6 points): Augment the Microsequencer as necessary, without using any muxes. Hint: cond (see part c below) is a 3 bit field.



Part c (5 points): Fill out the control signals that constitute the microinstructions for the five new states in the state machine. List any signals that are don't cares for a particular state as 0.

COND	J	LD.MAR	LD.MDR	LD.REG	LD.CC	GateMDR	GateALU	DRMUX	SRIMUX	ALUK	MIOEN	R.W	DATA.SIZE	LD.TEMP1	LD.TEMP2	LD.CONTINUE	GateConst	ALUBMUX	DECMUX	
state A																				
state B																				
state C																				
state D																				
state E																				

	15	14	13	12	11	10	9	8	7	6	5	4	3	2	1	0
ADD ⁺	0001			DR		SR1		0	00		SR2					
ADD ⁺	0001			DR		SR1		1	imm5							
AND ⁺	0101			DR		SR1		0	00		SR2					
AND ⁺	0101			DR		SR1		1	imm5							
BR	0000			n	z	p	PCoffset9									
JMP	1100			000		BaseR		000000								
JSR	0100			1	PCoffset11											
JSRR	0100			0	00		BaseR		000000							
LDB ⁺	0010			DR		BaseR		boffset6								
LDW ⁺	0110			DR		BaseR		offset6								
LEA ⁺	1110			DR		PCoffset9										
NOT ⁺	1001			DR		SR		1	11111							
RET	1100			000		111		000000								
RTI	1000			000000000000												
LSHF ⁺	1101			DR		SR		0	0	amount4						
RSHFL ⁺	1101			DR		SR		0	1	amount4						
RSHFA ⁺	1101			DR		SR		1	1	amount4						
STB	0011			SR		BaseR		boffset6								
STW	0111			SR		BaseR		offset6								
TRAP	1111			0000			trapvect8									
XOR ⁺	1001			DR		SR1		0	00		SR2					
XOR ⁺	1001			DR		SR		1	imm5							
not used	1010															
not used	1011															

Figure 7: LC-3b Instruction Encodings

Table 1: Data path control signals

Signal Name	Signal Values
LD.MAR/1:	NO(0), LOAD(1)
LD.MDR/1:	NO(0), LOAD(1)
LD.IR/1:	NO(0), LOAD(1)
LD.BEN/1:	NO(0), LOAD(1)
LD.REG/1:	NO(0), LOAD(1)
LD.CC/1:	NO(0), LOAD(1)
LD.PC/1:	NO(0), LOAD(1)
GatePC/1:	NO(0), YES(1)
GateMDR/1:	NO(0), YES(1)
GateALU/1:	NO(0), YES(1)
GateMARMUX/1:	NO(0), YES(1)
GateSHF/1:	NO(0), YES(1)
PCMUX/2:	PC+2(0) ;select pc+2 BUS(1) ;select value from bus ADDER(2) ;select output of address adder
DRMUX/1:	11.9(0) ;destination IR[11:9] R7(1) ;destination R7
SR1MUX/1:	11.9(0) ;source IR[11:9] 8.6(1) ;source IR[8:6]
ADDR1MUX/1:	PC(0), BaseR(1)
ADDR2MUX/2:	ZERO(0) ;select the value zero offset6(1) ;select SEXT[IR[5:0]] PCoffset9(2) ;select SEXT[IR[8:0]] PCoffset11(3) ;select SEXT[IR[10:0]]
MARMUX/1:	7.0(0) ;select LSHF(ZEXT[IR[7:0]],1) ADDER(1) ;select output of address adder
ALUK/2:	ADD(0), AND(1), XOR(2), PASSA(3)
MIO.EN/1:	NO(0), YES(1)
R.W/1:	RD(0), WR(1)
DATA.SIZE/1:	BYTE(0), WORD(1)
LSHF1/1:	NO(0), YES(1)

Table 2: Microsequencer control signals

Signal Name	Signal Values
J/6:	
COND/2:	COND ₀ ;Unconditional COND ₁ ;Memory Ready COND ₂ ;Branch COND ₃ ;Addressing Mode
IRD/1:	NO, YES

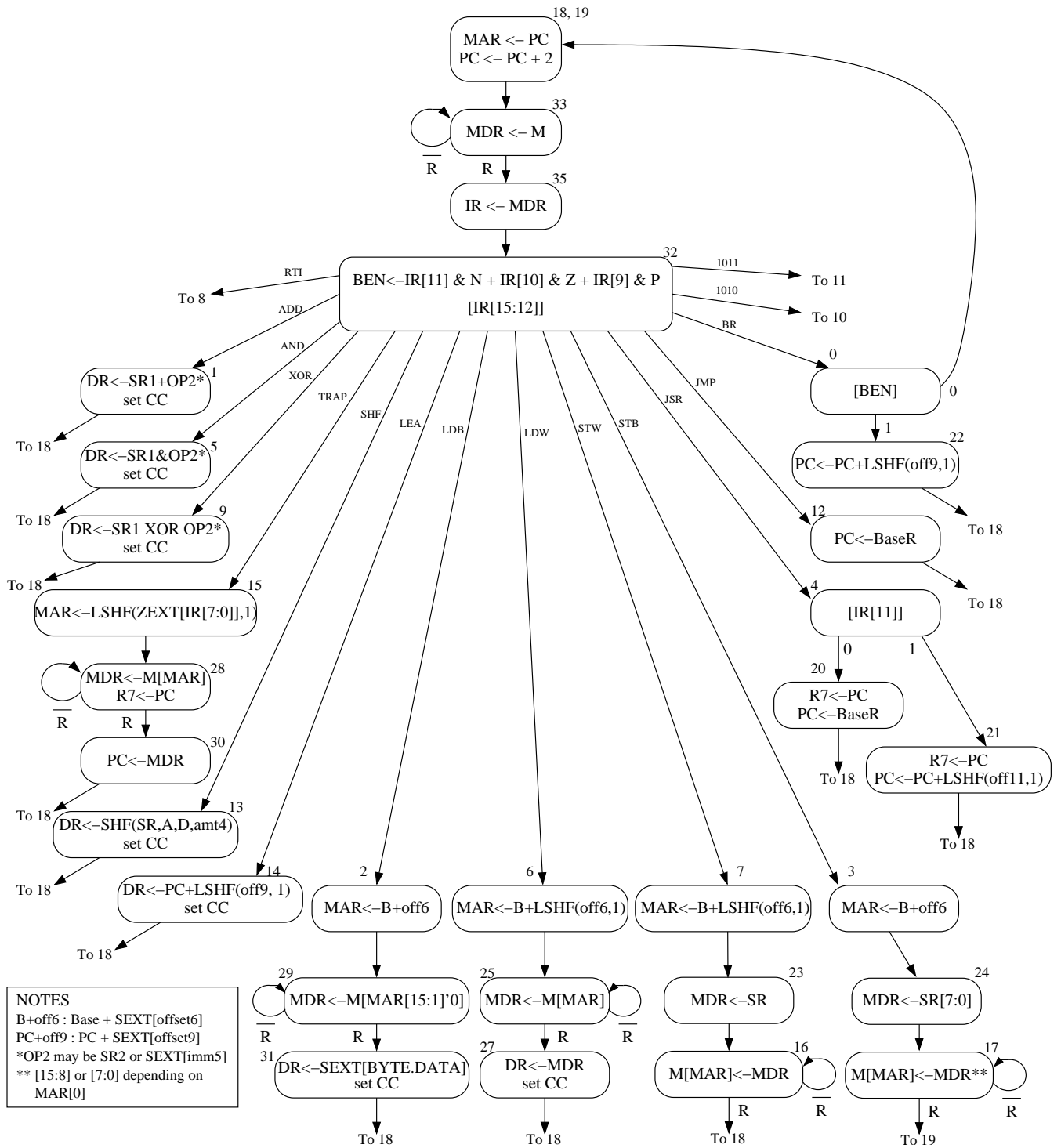


Figure 8: A state machine for the LC-3b

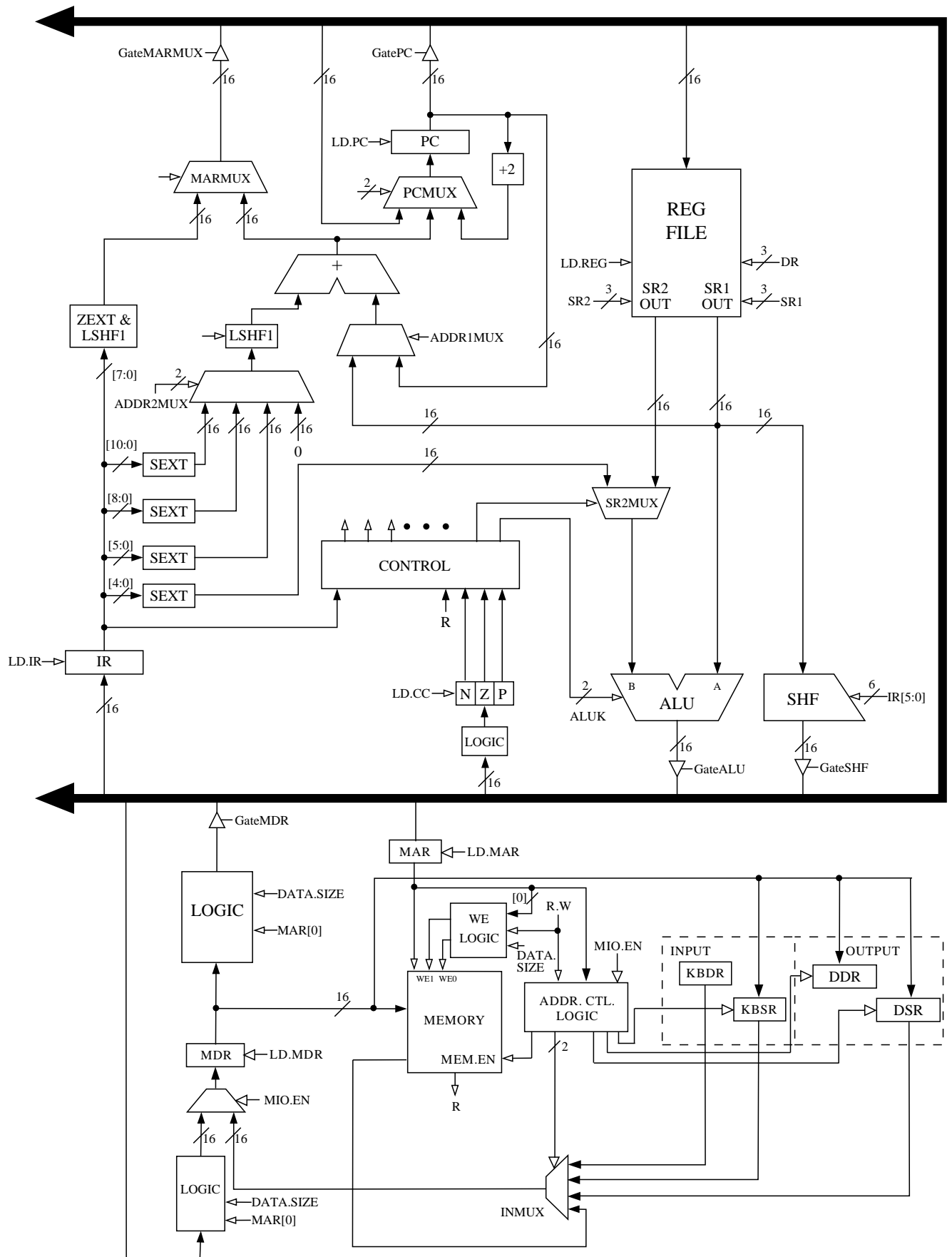


Figure 9: The LC-3b data path

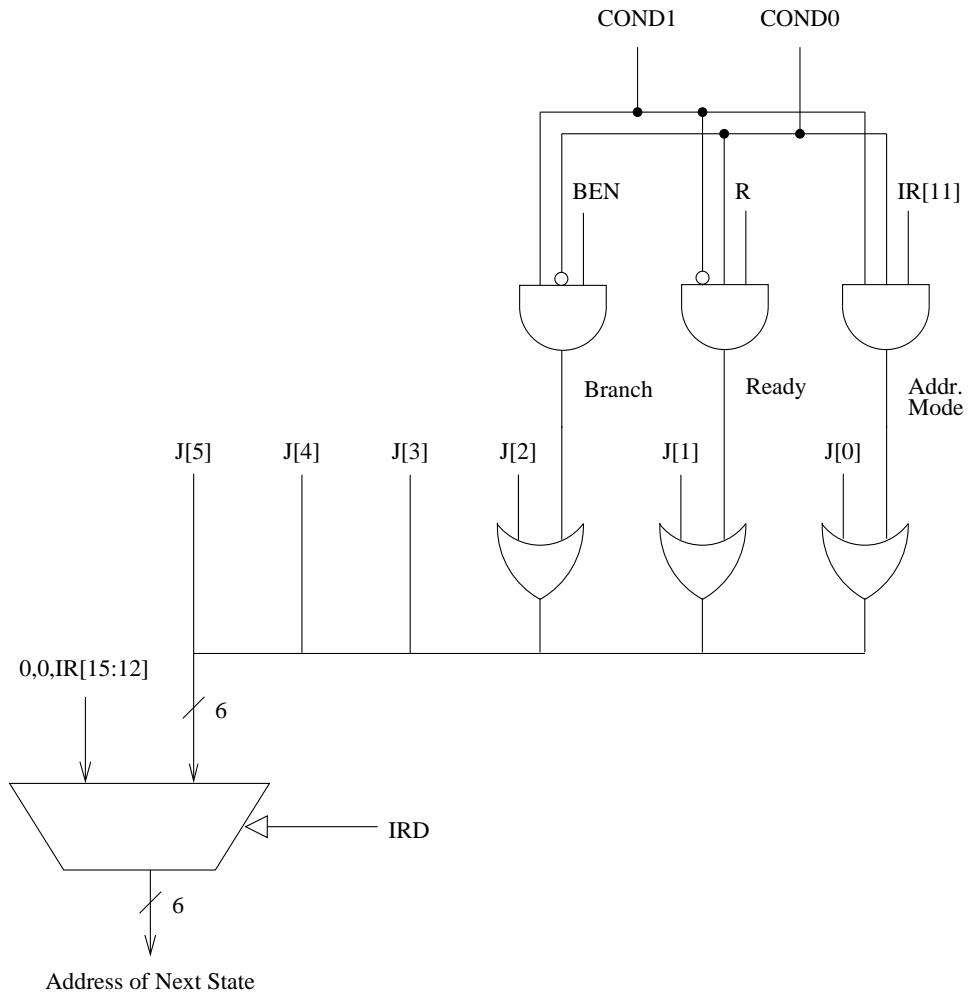


Figure 10: The microsequencer of the LC-3b base machine