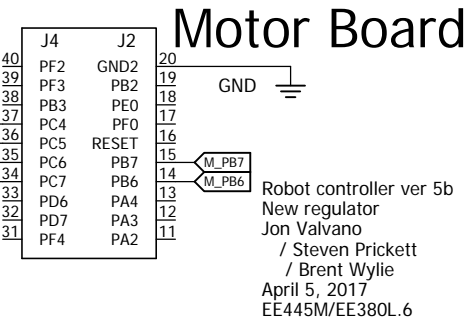
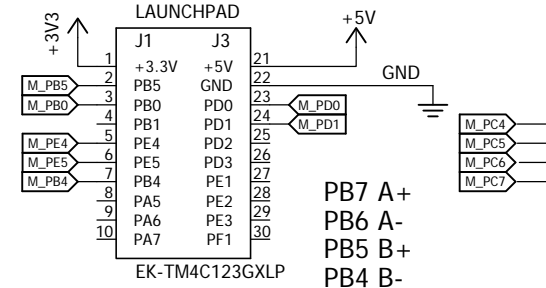


Motor Board



to do -> bring out more pins to headers

