

7 Series FPGAs Clocking Resources

User Guide

UG472 (v1.13) March 1, 2017



The information disclosed to you hereunder (the “Materials”) is provided solely for the selection and use of Xilinx products. To the maximum extent permitted by applicable law: (1) Materials are made available “AS IS” and with all faults, Xilinx hereby DISCLAIMS ALL WARRANTIES AND CONDITIONS, EXPRESS, IMPLIED, OR STATUTORY, INCLUDING BUT NOT LIMITED TO WARRANTIES OF MERCHANTABILITY, NON-INFRINGEMENT, OR FITNESS FOR ANY PARTICULAR PURPOSE; and (2) Xilinx shall not be liable (whether in contract or tort, including negligence, or under any other theory of liability) for any loss or damage of any kind or nature related to, arising under, or in connection with, the Materials (including your use of the Materials), including for any direct, indirect, special, incidental, or consequential loss or damage (including loss of data, profits, goodwill, or any type of loss or damage suffered as a result of any action brought by a third party) even if such damage or loss was reasonably foreseeable or Xilinx had been advised of the possibility of the same. Xilinx assumes no obligation to correct any errors contained in the Materials or to notify you of updates to the Materials or to product specifications. You may not reproduce, modify, distribute, or publicly display the Materials without prior written consent. Certain products are subject to the terms and conditions of Xilinx’s limited warranty, please refer to Xilinx’s Terms of Sale which can be viewed at www.xilinx.com/legal.htm#tos; IP cores may be subject to warranty and support terms contained in a license issued to you by Xilinx. Xilinx products are not designed or intended to be fail-safe or for use in any application requiring fail-safe performance; you assume sole risk and liability for use of Xilinx products in such critical applications, please refer to Xilinx’s Terms of Sale which can be viewed at www.xilinx.com/legal.htm#tos.

Automotive Applications Disclaimer

AUTOMOTIVE PRODUCTS (IDENTIFIED AS “XA” IN THE PART NUMBER) ARE NOT WARRANTED FOR USE IN THE DEPLOYMENT OF AIRBAGS OR FOR USE IN APPLICATIONS THAT AFFECT CONTROL OF A VEHICLE (“SAFETY APPLICATION”) UNLESS THERE IS A SAFETY CONCEPT OR REDUNDANCY FEATURE CONSISTENT WITH THE ISO 26262 AUTOMOTIVE SAFETY STANDARD (“SAFETY DESIGN”). CUSTOMER SHALL, PRIOR TO USING OR DISTRIBUTING ANY SYSTEMS THAT INCORPORATE PRODUCTS, THOROUGHLY TEST SUCH SYSTEMS FOR SAFETY PURPOSES. USE OF PRODUCTS IN A SAFETY APPLICATION WITHOUT A SAFETY DESIGN IS FULLY AT THE RISK OF CUSTOMER, SUBJECT ONLY TO APPLICABLE LAWS AND REGULATIONS GOVERNING LIMITATIONS ON PRODUCT LIABILITY.

© Copyright 2011–2017 Xilinx, Inc. Xilinx, the Xilinx logo, Artix, ISE, Kintex, Spartan, Virtex, Vivado, Zynq, and other designated brands included herein are trademarks of Xilinx in the United States and other countries. PCI, PCIe, and PCI Express are trademarks of PCI-SIG and used under license. All other trademarks are the property of their respective owners.

Revision History

The following table shows the revision history for this document.

Date	Version	Revision
03/01/2011	1.0	Initial Xilinx release.
03/28/2011	1.1	<p>Updated disclaimer and copyright on page 2. Updated Clocking Architecture Overview and Figure 2-2. Revised the discussion in Clock-Capable Inputs including adding Table 1-1 and Figure 2-1. Revised some of the Global Clock Buffers descriptions. Revised the description under Figure 2-17. Updated the I/O Clock Buffer—BUFIO section. Updated Figure 2-20. Updated the Regional Clock Buffer—BUFR section. Updated the description in Table 2-8. Revised Figure 2-23. Added the BUFMRCE to the BUFMR Primitive section including Figure 2-25. Added BUFHCE to the Horizontal Clock Buffer—BUFH, BUFHCE section. Moved Clock Gating for Power Savings.</p> <p>Updated the MMCMs and PLLs section. Revised the Frequency Synthesis Only Using Integer Divide section including Figure 3-4. Revised the discussion around adjacent regions in CLKOUT[0:6] – Output Clocks. Updated the examples after Equation 3-11. Moved and revised VHDL and Verilog Templates and the Clocking Wizard.</p> <p>Added Appendix A, Multi-Region Clocking.</p>
05/31/2011	1.2	<p>Added section on 7 Series FPGAs Clocking Differences from Previous FPGA Generations.</p> <p>Updated Figure 2-2. Clarified discussion in Clock-Capable Inputs section including removing Table 1-1: Migration of devices in the same package with different top/bottom alignments. Redrew Figure 2-4, Figure 2-16, Figure 2-18, and Figure 2-22.</p> <p>Updated description of CLKOUT[0:6] in Table 3-5. Updated CLKFBSTOPPED – Feedback Clock Status, page 83. Clarified the MMCM/PLL relationship including updating Figure 3-10. Added more information to the Phase Shift section, including Equation 3-5.</p> <p>Revised Figure A-6 and Figure A-7. Added Appendix B, Clocking Resources and Connectivity Variations per Clock Region.</p>
10/27/2011	1.3	<p>Moved 7 Series FPGAs Clocking Differences from Previous FPGA Generations. Added Clock Buffer Selection Considerations. Clarified description in Clock-Capable Inputs. Added another note after Figure 2-22, page 53. Added the Stacked Silicon Interconnect Clocking section.</p> <p>Updated Figure 3-6, page 73. Clarified descriptions in Frequency Synthesis Using Fractional Divide in the MMCM, page 73, Interpolated Fine Phase Shift in Fixed or Dynamic Mode in the MMCM, page 75, Determine the Input Frequency, page 76, CLKOUT[0:6] – Output Clocks, page 82, and Reference Clock Switching, page 91.</p> <p>Revised description of STARTUP_WAIT, page 85. Updated RST description in Table 3-5, page 78. Updated CLKOUT[0]_DIVIDE_F(2) allowed values in Table 3-7, page 83. Updated Clock Network Deskew, page 72 adding Figure 3-12, page 92.</p> <p>Updated Table B-1 and added Table B-2.</p>
02/16/2012	1.4	<p>Replaced “clocking backbone” with “clock backbone” and “clocking region” with “clock region” throughout.</p> <p>Added Chapter 1, Clocking Overview, containing 7 Series FPGAs Clocking Differences from Previous FPGA Generations from Chapter 2 and Summary of Clock Connectivity from Appendix B. Updated Table 1-1. Removed XC7A8, XC7A15, XC7A30T, and XC7A50T from Table 1-2.</p> <p>Added Clock-Capable Inputs. Updated Global Clocking Resources, including BUFMR Primitive. Updated Horizontal Clock Buffer—BUFH, BUFHCE. Updated paragraph before Figure 2-27.</p>

Date	Version	Revision
02/16/2012	1.4 (Cont'd)	<p>In introductory paragraph of High-Performance Clocks, removed description of HPCs connecting to OSERDES and buffers. Replaced cross reference to UG429, 7 Series FPGAs Migration Methodology Guide, with UG872, Large FPGA Methodology Guide. Updated Stacked Silicon Interconnect Clocking. Replaced SRL with SLR in Figure 2-29. Added Figure 2-31.</p> <p>Removed hold block from Figure 3-2. Updated clock frequencies in Frequency Synthesis Only Using Integer Divide. Replaced 64 with 63 in Equation 3-4. Updated Interpolated Fine Phase Shift in Fixed or Dynamic Mode in the MMCM. Updated pin description of LOCKED in Table 3-5. Updated LOCKED. In Table 3-7, updated type and allowed values of CLKOUT[0]_DIVIDE_F and CLKFBOUT_MULT_F, and description of STARTUP_WAIT and COMPENSATION. In Table 3-8, added STARTUP_WAIT and updated description of COMPENSATION. Replaced GTX with GT in Figure 3-10. Updated Dynamic Reconfiguration Port.</p> <p>Added Appendix B, Clocking Resources and Connectivity Variations per Clock Region.</p>
07/13/2012	1.5	<p>Updated paragraph after Figure 1-4. Added bullet about spread spectrum support to Key Differences from Virtex-6 FPGAs. Updated BUFG and BUFGH pins, and removed IBUFDS_GTE2.O/IBUFDS_GTE2.ODIV2 pin from Table 1-1. Updated Table 1-2.</p> <p>Updated note 5 in Table 2-1. Added Figure 2-29.</p> <p>Updated last sentence of Introduction. Updated DO[15:0] – Dynamic Reconfiguration Output Bus. Added SS_EN, SS_MODE, and SS_MOD_PERIOD to Table 3-7. Added Spread-Spectrum Clock Generation.</p>
10/02/2012	1.6	<p>Added note to Table 1-1. Removed XC7A350T and XC7V1500T from Table 1-2.</p> <p>Updated first paragraph of Single Clock Driving Multiple CMTs. Added notes 5 and 8 to Table 2-1. Updated paragraph after Table 2-10.</p> <p>Added Table 3-9 and timing constraint calculations for 25 MHz and 80 MHz input clocks. In Table 3-10, changed Bandwidth value from N/A to Low, and removed duplicate paragraph after table.</p> <p>Removed XC7A350T from title of Figure B-4.</p>
04/03/2013	1.7	<p>Updated Figure 1-3, Figure B-2, and Figure B-3. Added BUFGMR to Table 1-1. Updated second paragraph in Dynamic Phase Shift Interface in the MMCM. Added note to Table 2-7.</p>
08/07/2013	1.8	<p>Updated Table 1-2 and Table 3-7. Updated the figure titles for Figure B-2 and Figure B-3. Updated Clock Buffer Placement.</p>
04/08/2014	1.9	<p>Updated Clock-Capable Inputs and Dynamic Phase Shift Interface in the MMCM. Updated allowed values and the default value for CLKFBOUT_MULT in Table 3-8.</p>
05/24/2014	1.10	<p>Changed the value of minimum clock regions from six to four in Clocking Architecture Overview. Added information to MGTREFCLK0 in Table 1-1. Added section on GTZ Loopback Clock Buffer — BUFG_LB (HT devices only) to Chapter 2. Changed description of REF_JITTER1 and REF_JITTER2 in Table 3-7 and Table 3-8. Updated first paragraph in Use Cases.</p>
11/19/2014	1.11	<p>Removed general interconnect from this bulleted list on page 49. Updated the figure titles for Figure B-2 and Figure B-3.</p>
03/04/2015	1.11.1	<p>Updated Frequency Synthesis Using Fractional Divide in the MMCM, page 73 by changing 0.125 degrees to 0.125.</p>
06/12/2015	1.11.2	<p>Fixed broken link in three references to 7 Series FPGA Data Sheets on page 73 and page 74.</p>
09/27/2016	1.12	<p>Added the Spartan-7 FPGAs and the Artix-7 (XC7A12T and XC7A25T) devices where applicable including updating Appendix B. Updated the BUFR Alignment section. Updated the Automotive Applications Disclaimer.</p>

Date	Version	Revision
03/01/17	1.13	Updated the BUFR Alignment section.

Table of Contents

Revision History	3
Preface: About This Guide	
Guide Contents	11
Additional Resources	11
Chapter 1: Clocking Overview	
Clocking Architecture Overview	13
Clock Routing Resources Overview	13
CMT Overview	14
Clock Buffers, Management, and Routing	15
7 Series FPGAs Clocking Differences from Previous FPGA Generations	21
Key Differences from Virtex-6 FPGAs	21
Key Differences from Spartan-6 FPGAs	22
Summary of Clock Connectivity	24
Clocking Differences in 7 Series FPGAs	27
Chapter 2: Clock Routing Resources	
Clock Buffer Selection Considerations	29
Clock-Capable Inputs	30
Single Clock Driving a Single CMT	31
Single Clock Driving Multiple CMTs	31
Clock-Capable Input Pin Placement Rules	31
Global Clocking Resources	35
Clock Tree and Nets - GCLK	36
Clock Regions	36
Global Clock Buffers	36
Global Clock Buffer Primitives	38
Additional Use Models	46
Regional Clocking Resources	48
Clock-Capable I/O	49
I/O Clock Buffer—BUFIO	49
BUFIO Primitive	50
BUFIO Use Models	50
Regional Clock Buffer—BUFR	52
BUFR Primitive	52
BUFR Attributes and Modes	53
BUFR Use Models	54
Regional Clock Nets	54
Multi-Region Clock Buffer—BUFMR/BUFMRCE	55
BUFMR Primitive	55
Horizontal Clock Buffer—BUFH, BUFHCE	57
GTZ Loopback Clock Buffer — BUFG_LB (HT devices only)	58
High-Performance Clocks	59

Clock Gating for Power Savings	59
Stacked Silicon Interconnect Clocking	60
Placement of Clocking Structures	62
Clock Buffer Placement	63

Chapter 3: Clock Management Tile

Introduction	65
MMCMs and PLLs	66
General Usage Description	69
MMCM and PLL Primitives	69
MMCME2_BASE and PLLE2_BASE Primitives	70
MMCME2_ADV and PLLE2_ADV Primitive	71
Clock Network Deskew	72
Frequency Synthesis Only Using Integer Divide	72
Frequency Synthesis Using Fractional Divide in the MMCM	73
Jitter Filter	73
Limitations	73
VCO Operating Range	73
Minimum and Maximum Input Frequency	74
Duty Cycle Programmability	74
Phase Shift	74
Dynamic Phase Shift Interface in the MMCM	75
MMCM Counter Cascading	76
MMCM/PLL Programming	76
Determine the Input Frequency	76
Determine the M and D Values	77
MMCM Ports	78
PLL Ports	79
MMCM and PLL Port Descriptions	80
MMCM Attributes	83
PLL Attributes	87
MMCM Clock Input Signals	89
Counter Control	89
Detailed VCO and Output Counter Waveforms	90
Reference Clock Switching	91
Missing Input Clock or Feedback Clock	91
MMCM and PLL Use Models	91
Clock Network Deskew	91
MMCM with Internal Feedback	93
Zero Delay Buffer	94
CMT to CMT Connection	94
Spread-Spectrum Clock Generation	96
MMCM Application Example	101
Dynamic Reconfiguration Port	101
VHDL and Verilog Templates and the Clocking Wizard	102

Appendix A: Multi-Region Clocking

Introduction	103
Clocking Across Multiple Regions	104
BUFMR Primitive	104

- Use Cases 105
 - Clock Alignment Across Clock Regions 106
 - Single Buffer per Clock Region 106
 - Driving Multiple BUFIOs 106
 - Driving Multiple BUFRRs 107
 - Multiple Buffers Per Clock Region 107
 - Driving Multiple BUFRRs (with Divide) and BUFIO 107
 - Driving Multiple BUFRRs (With and Without Divide) 109
 - BUFRR Alignment 110

Appendix B: Clocking Resources and Connectivity Variations per Clock Region

About This Guide

Xilinx® 7 series FPGAs include four FPGA families that are all designed for lowest power to enable a common design to scale across families for optimal power, performance, and cost. The Spartan®-7 family is the lowest density with the lowest cost entry point into the 7 series portfolio. The Artix®-7 family is optimized for highest performance-per-watt and bandwidth-per-watt for cost-sensitive, high-volume applications. The Kintex®-7 family is an innovative class of FPGAs optimized for the best price-performance. The Virtex®-7 family is optimized for highest system performance and capacity.

This 7 series FPGAs clocking resources user guide, part of an overall set of documentation on the 7 series FPGAs, is available on the Xilinx website at www.xilinx.com/documentation.

Guide Contents

This manual contains the following chapters:

- [Chapter 1, Clocking Overview](#)
- [Chapter 2, Clock Routing Resources](#)
- [Chapter 3, Clock Management Tile](#)
- [Appendix A, Multi-Region Clocking](#)
- [Appendix B, Clocking Resources and Connectivity Variations per Clock Region](#)

Additional Resources

To find additional documentation, see the Xilinx website at:

www.xilinx.com/support/documentation/index

To search the Answer Database of silicon, software, and IP questions and answers, or to create a technical support WebCase, see the Xilinx website at:

www.xilinx.com/support

Clocking Overview

This chapter provides an overview of the 7 series FPGAs clocking, a comparison between 7 series FPGAs clocking and previous FPGA generations, and a summary of clocking connectivity within the 7 series FPGAs. For detailed information on usage of 7 series FPGAs clocking resources, see [Chapter 2, Clock Routing Resources](#) and [Chapter 3, Clock Management Tile](#).

Clocking Architecture Overview

The 7 series FPGAs clocking resources manage complex and simple clocking requirements with dedicated global and regional I/O and clocking resources. The clock management tiles (CMT) provide clock frequency synthesis, deskew, and jitter filtering functionality. Non-clock resources, such as local routing, are not recommended when designing for clock functions.

- Global clock trees allow clocking of synchronous elements across the device.
- I/O and regional clock trees allow clocking of up to three vertically adjacent clock regions.
- CMTs, each containing one mixed-mode clock manager (MMCM) and one phase-locked loop (PLL), reside in the CMT column next to the I/O column.

For clocking purposes, each 7 series device is divided into clock regions.

- The number of clock regions varies with device size, from one clock region in the smallest device to 24 clock regions in the largest one.
- A clock region includes all synchronous elements (for instance: CLB, I/O, serial transceivers, DSP, block RAM, CMT) in an area spanning 50 CLBs and one I/O bank (50 I/Os), with a horizontal clock row (HROW) in its center.
- Each clock region spans 25 CLBs up and 25 CLBs down from the HROW, and horizontally across each side of the device.

Clock Routing Resources Overview

Each I/O bank contains clock-capable input pins to bring user clocks onto the 7 series FPGA clock routing resources. In conjunction with dedicated clock buffers, the clock-capable input bring user clocks on to:

- Global clock lines in the same top/bottom half of the device
- I/O clocks lines within the same I/O bank and vertically adjacent I/O banks
- Regional clock lines within the same clock region and vertically adjacent clock regions
- CMTs within the same clock region and, with limitations, vertically adjacent clock regions

Each 7 series monolithic device has 32 global clock lines that can clock and provide control signals to all sequential resources in the whole device. Global clock buffers (BUFGCTRL, simplified as BUFG throughout this user guide) drive the global clock lines and must be used to access global clock lines. Each clock region can support up to 12 of these global clock lines using the 12 horizontal clock lines in the clock region.

The global clock buffers:

- Can be used as a clock enable circuit to enable or disable clocks that span multiple clock regions
- Can be used as a glitch-free multiplexer to:
 - select between two clock sources
 - switch away from a failed clock source
- Are often driven by a CMT to:
 - eliminate the clock distribution delay
 - adjust clock delay relative to another clock

The horizontal clock buffer (BUFH/BUFHCE) allows access to the global clock lines in a single clock region through the horizontal clock row. It can also be used as a clock enable circuit (BUFHCE) to independently enable or disable clocks that span a single clock region. Each clock region can support up to 12 clocks using the 12 horizontal clock lines in each clock region.

Each 7 series FPGA has regional and I/O clock trees that can clock all sequential resources in one clock region. Each device also has multi-clock region buffers (BUFMR) that allow regional and I/O clocks to span up to three vertically adjacent clock regions.

- The I/O clock buffer (BUFIO) drives the I/O clock tree, providing access to clock all sequential I/O resources in the same I/O bank.
- The regional clock buffer (BUFR) drives regional clock trees that drive all clock destinations in the same clock region and can be programmed to divide the incoming clock rate.
- In conjunction with the programmable serializer/deserializer in the IOB (refer to the *Advanced SelectIO Logic Resources* chapter in [UG471, 7 Series FPGAs SelectIO Resources User Guide](#)), the BUFIO and BUFR clock buffers allow source-synchronous systems to cross clock domains without using additional logic resources.
- The regional and I/O clock trees in adjacent clock regions and I/O banks can be driven using the multi-clock region buffer (BUFMR) when used with the associated BUFR or BUFIO.
- Up to four unique I/O clocks and four unique regional clocks can be supported in one clock region or I/O bank.

High-performance clock routing connects certain outputs of the CMT to the I/O on a very low jitter, minimal duty-cycle distorted direct path.

[Chapter 2, Clock Routing Resources](#), has further details on global, regional, and I/O clocks. It also describes which clock routing resources to use for various applications.

CMT Overview

Each 7 series FPGA has up to 24 CMTs, each consisting of one MMCM and one PLL. The MMCMs and PLLs serve as frequency synthesizers for a wide range of frequencies, serve as a jitter filters for either external or internal clocks, and deskew clocks. The PLL contains

a subset of the MMCM functions. The 7 series FPGA clock input connectivity allows multiple resources to provide the reference clocks to the MMCM and PLL.

7 series FPGAs MMCMs have infinite fine phase-shift capability in either direction and can be used in dynamic phase-shift mode. MMCMs also have a fractional counter in either the feedback path or in one output path, enabling further granularity of frequency synthesis capabilities.

The LogiCORE™ IP clocking wizard is available to assist in utilizing MMCMs and PLLs to create clock networks in 7 series FPGA designs. The GUI interface is used to collect clock network parameters. The clocking wizard chooses the appropriate CMT resource and optimally configures the CMT resource and associated clock routing resources.

[Chapter 3, Clock Management Tile](#), includes details on the CMT block features and connectivity.

Clock Buffers, Management, and Routing

The figures in this section provide a visual and layered explanation of the 7 series FPGAs clock architecture.

[Figure 1-1](#) is a high-level view of the 7 series FPGAs clocking architecture. The vertical clocking center line (the clock backbone) divides the device into adjacent left and right regions while the horizontal center line divides the device into its top and bottom sides. The resources in the clock backbone are mirrored to both sides of the horizontally adjacent regions, thus extending certain clock resources into the horizontal adjacent region. The top and bottom division separates two sets of global clock buffers (BUFGs) and imposes some limitations on how they can be connected. However, BUFGs do not belong to a clock region and can reach any clocking point on the device. All horizontal clock resources are contained in the center of the clock region horizontal clock row (HROW), and vertical, non-regional clock resources are contained in either the clock backbone or CMT backbone.

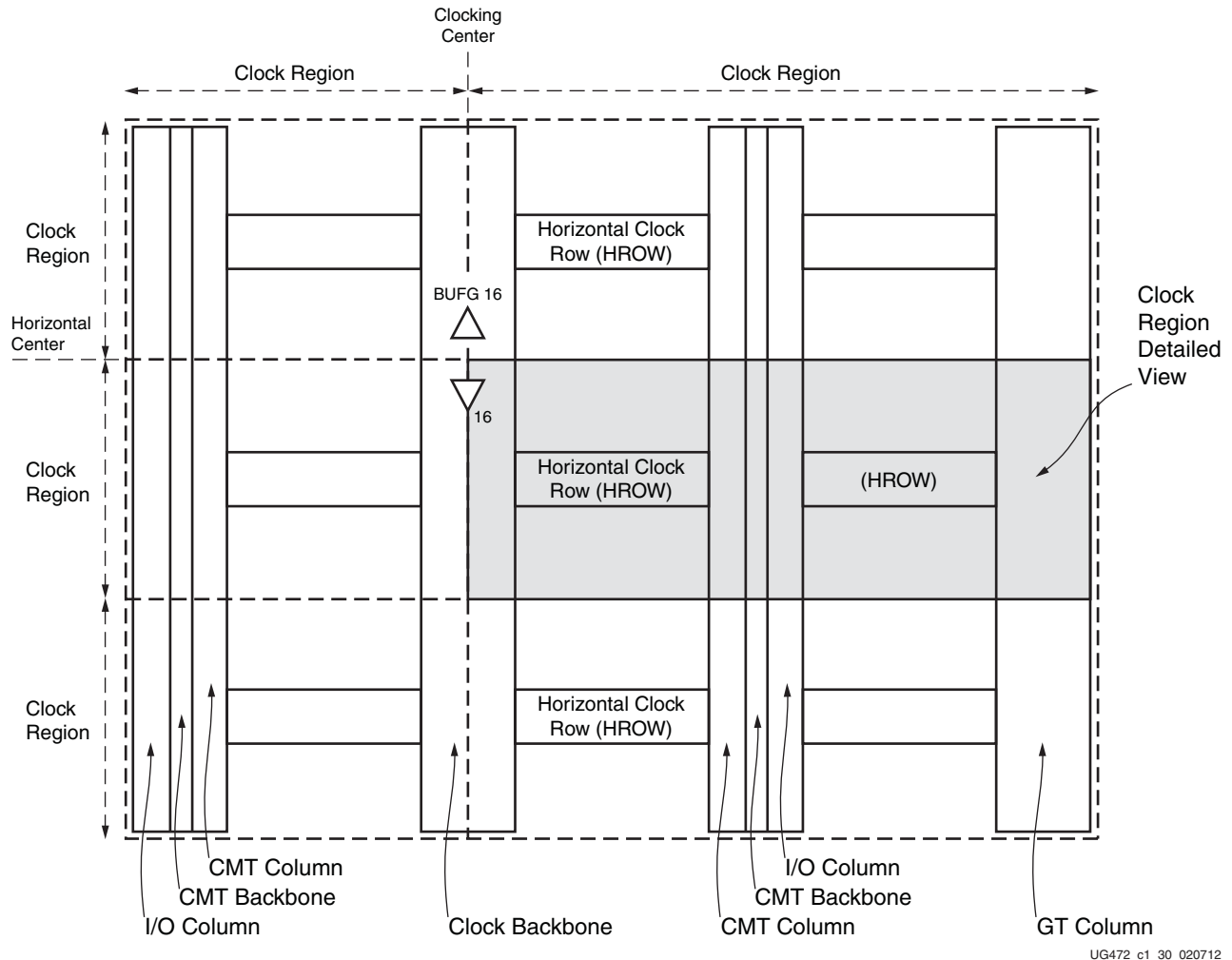
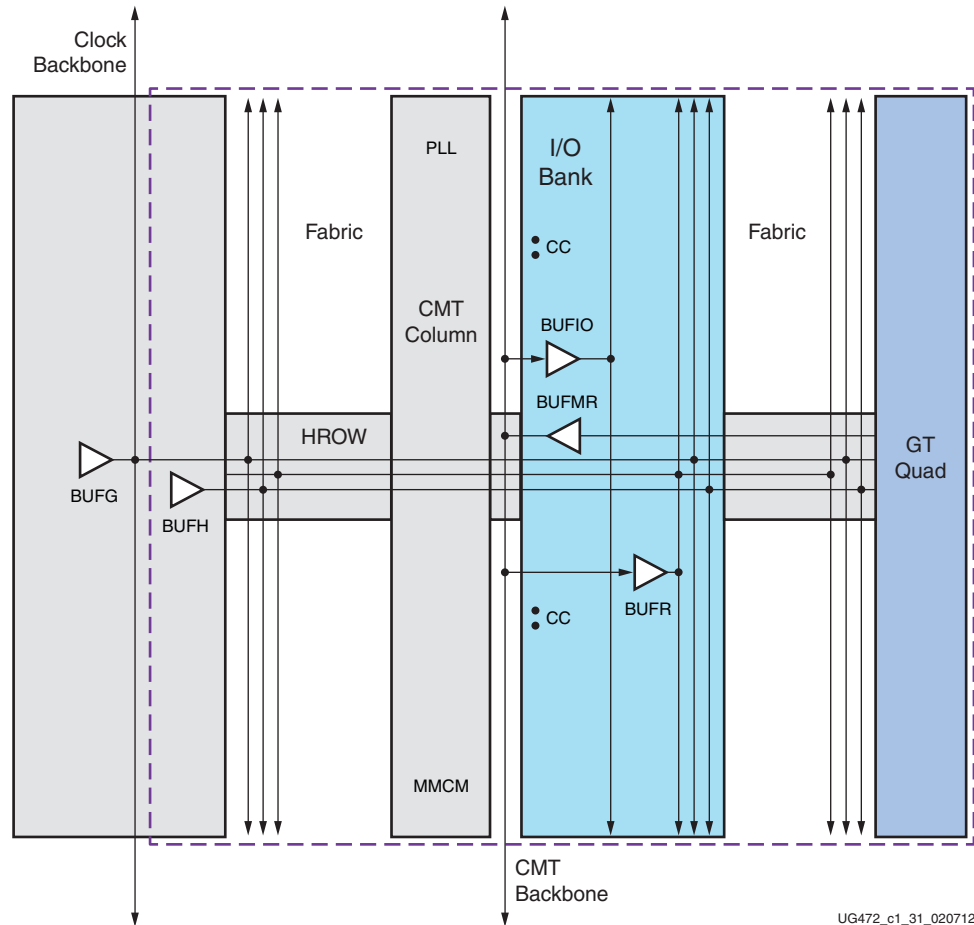


Figure 1-1: 7 Series FPGA High-Level Clock Architecture View

A clock region always contains 50 CLBs per column, ten 36K block RAMs per column (unless five 36K blocks are replaced by an integrated block for PCI Express®), 20 DSP slices per column, and 12 BUFHs. A clock region contains, if applicable, one CMT (PLL/MMCM), one bank of 50 I/Os, one GT quad consisting of four serial transceivers, and half a column for PCIe® in a block RAM column.

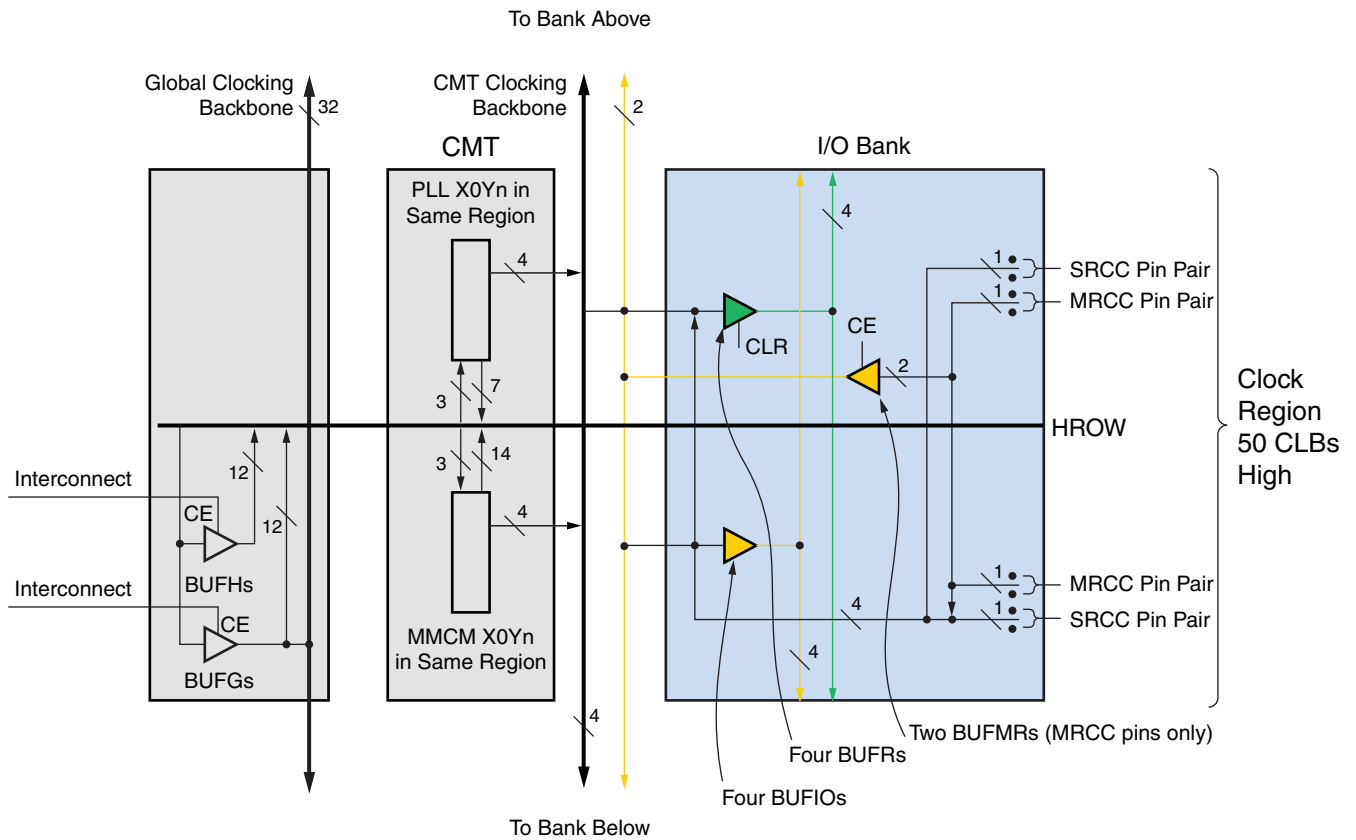
Figure 1-2 is a high-level overview of clock resources available in a clock region and their fundamental connectivity. The global clock buffer can drive into every region through the HROW even if not physically located there. The horizontal clock buffers (BUFH) drive through the HROW to every clocking point in the region. BUFGs and BUFHs share routing tracks in the HROW. The I/O buffers (BUFIO) and regional clock buffers (BUFR) are located inside the I/O banks. The BUFIO only drives I/O clocking resources while the BUFR drives I/O resources and logic resources. The BUFMR enables multi-region chaining of BUFIOs and BUFRs. The clock-capable inputs connect external clocks to clocking resources on the device. Certain resources can connect to regions above and below through the CMT backbone.



UG472_c1_31_020712

Figure 1-2: Basic View of Clock Region

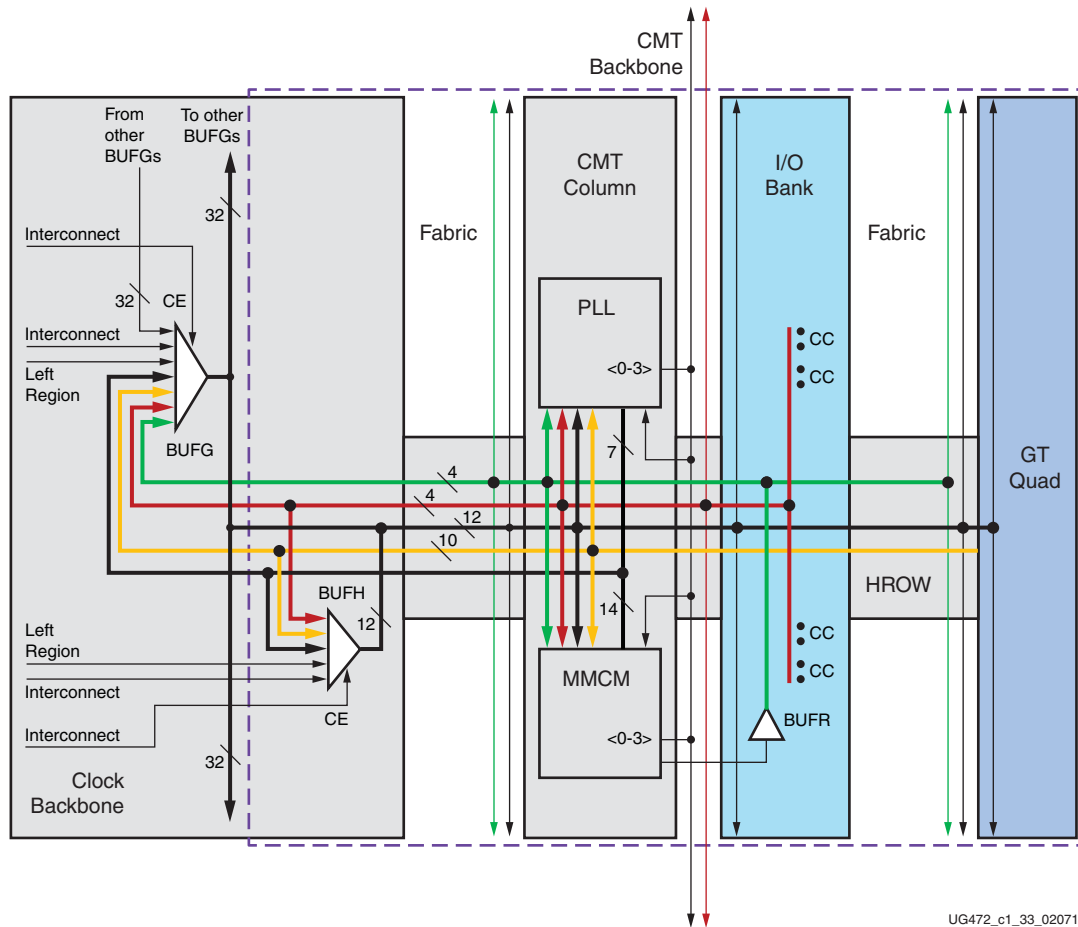
Figure 1-3 shows a more detailed view of clocking in a single clock region on the right edge of the device.



UG472_c1_32_011713

Figure 1-3: Single Clock Region (Right Side of the Device)

Figure 1-4 shows a more detailed diagram of the global BUFG and regional BUFH/CMT/CC pin connectivity as well as the number of resources available in a region (a right side region is shown here).



UG472_c1_33_020712

Figure 1-4: BUFG/BUFH/CMT Clock Region Detail

Any of the four clock-capable input pins can drive the PLL/MMCM in the CMT and the BUFH. The BUFG is shown as present in the region, but can be located physically somewhere else in the clock backbone. BUFG and BUFH share 12 routing tracks in the HROW and can drive all clocking points in the region. BUFGs can also drive BUFHs (not shown in Figure 1-4). This allows for individual clock enables (CE) on an otherwise global clock distribution. A GT quad has ten dedicated tracks to drive the CMT and clock buffers in the clock backbone. The BUFRs located in the I/O bank have four tracks driving clocking points in the logic, CMT, and BUFG. CMTs can, with limitations, drive other CMTs in the adjacent regions using the CMT backbone. Similarly, clock-capable pins can drive, with the same limitations, CMTs in adjacent regions. Clock-capable pins can drive BUFGs anywhere in the same top/bottom side of the device. There are four tracks in the CMT backbone to support connectivity between vertical regions.

Clock sources from one region can drive clock buffer resources in its own region as well as in a horizontally adjacent region. CMTs, clock-capable pins, and serial transceivers can drive clocks into the horizontal adjacent region via the BUFH and also connect to the BUFGs in the same top/bottom side of the device.

Logic interconnects drive the CE pins of BUFG and BUFG. Logic interconnects can also drive clocks into the same buffers, but care must be taken because the timing is not predictable.

Figure 1-5 shows a more detailed diagram of the I/O clocking resources and connectivity.

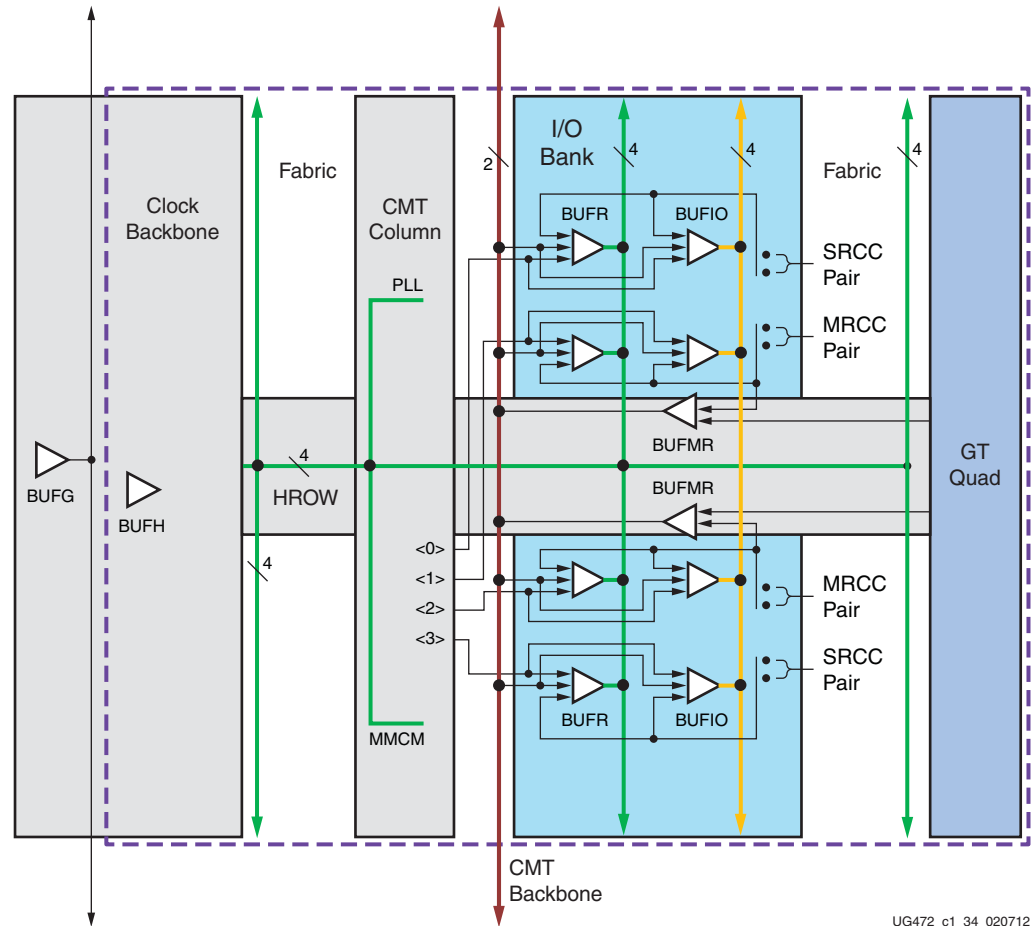


Figure 1-5: BUFR/BUFMR/BUFIO Clock Region Detail

Each I/O bank contains four BUFIOs and four BUFRs. Each of these clock buffers can be driven by a specific clock-capable input clock pin pair or can be driven directly by a specific output clock of the MMCM. Two of the clock-capable input pin pairs, called MRCCs, support a multi-region clocking scheme. An MRCC pin pair can drive a specific BUFMR, which in turn can drive BUFIOs and BUFRs in the same and adjacent regions facilitating multi-region/bank interfaces. Similarly, a GT quad can also drive the BUFMRs. The MMCM<3:0> outputs have a dedicated high-performance differential path to the BUFRs and BUFIOs. This feature is also referred to as high-performance clocks (HPC).

Although all 7 series devices have the same fundamental architecture, there are some architectural differences between the families and devices within families. Every 7 series FPGA has a minimum of one complete I/O column on the left edge of the device. A GT can be any one of the serial transceivers supported by the 7 series FPGAs (GTP, GTX, or GTH). Devices with GTs either have a mixed column of GTs and I/Os to the right edge of the device (some Kintex-7 devices and some Artix-7 devices) or have a complete column of GTs to the right edge (some Kintex-7 devices and some Virtex-7 devices) and a complete I/O column on the right side of the device. Other Virtex-7 devices have complete GT

columns on the left and right edges with a complete I/O column in the left and right sides. The Artix-7 200T device has GTP transceivers on the top and bottom next to the clocking column.

Therefore, not all clock regions in 7 series devices contain all of the blocks shown in the previous figures. For a block-level architectural view of the 7 series devices, see the *Die Level Bank Numbering Overview* section in [UG475, 7 Series FPGA Packaging and Pinout Specification](#). [Appendix B, Clocking Resources and Connectivity Variations per Clock Region](#) includes detailed figures showing clocking resources and connectivity for the clock region variations.

7 Series FPGAs Clocking Differences from Previous FPGA Generations

The 7 series FPGAs clocking has a similar structure to Virtex-6 FPGAs and supports many of the same features. However, there are some architectural differences and modifications to the various clocking elements and their functionality. When compared with Spartan-6 FPGAs, there are some significant changes in both architecture and functionality. Some Spartan-6 FPGA clock primitives are no longer available and are replaced by more powerful and simpler structures.

Key Differences from Virtex-6 FPGAs

- The 7 series FPGAs basic BUFIO clocking functions have not changed with the exception that the BUFIO now only spans a single bank. Direct clocking of adjacent banks is replaced by a new clock buffer. There are now four BUFIOs per bank. Similar to the BUFIO evolution, the basic purpose of the BUFR has not changed. However, now the BUFR only directly spans a single clock region. There are now four BUFRs and four regional clocks (tracks) per region.
- The 7 series FPGAs introduced a new buffer type: BUFMR/BUFMRCE. The BUFMR/BUFMRCEs drive BUFIOs and/or BUFRs in the same and vertically adjacent regions. They also provide the same multi-clock region/multi-bank clock routing available in Virtex-6 FPGAs which support the same three clock regions/banks capability. BUFMRCE has a selectable synchronous or asynchronous switching feature.
- The global clock (GC) input pins in the Virtex-6 family are no longer supported by the 7 series FPGAs. Four clock-capable clock input pin/pairs per bank replace the GCs. The connectivity of the clock-capable input pins has been enhanced to support much of the previous GC capabilities.
- The global clock multiplexer BUFGMUX has added an attribute, CLK_SEL_TYPE, for allowing either synchronous or asynchronous clock switching of the two input clocks (previously only available through the IGNORE port).
- The BUFHCE has an enhanced clock enable to allow for either a synchronous or asynchronous enable of the input clock.
- The CMT now contains one MMCM and one PLL (a subset of the MMCM), instead of two MMCMs, and dedicated memory interface logic, which is reserved. The CMT column is located adjacent to the SelectIO™ columns/banks within the CMT and has dedicated access to the I/Os for high performance. The global clock buffers are still located in the vertical center of the device between I/O columns driven by the CMTs. Direct cascading within the CMT is no longer supported. Cascading to adjacent CMTs directly is possible but limited due to limited resources. Cascading to other CMTs

beyond the adjacent CMTs results in a phase offset between the source and destination MMCMs/PLLs and requires a special attribute setting.

- Fractional dividers no longer share output counters. This frees up those counters for other uses. Fractional counters have added a static phase-shift capability.
- The CLOCK_HOLD feature is no longer available.
- MMCMs support spread spectrum.

Key Differences from Spartan-6 FPGAs

- Some of the Spartan-6 FPGA clocking circuit topologies, functions, and blocks that are unique to the Spartan-6 architecture are not supported and have been replaced by the 7 series FPGAs clocking features. Features and functions such as DCM_SP, DCM_CLKGEN, BUFIO2, BUFIO2_2CLK, BUFIO2FB, BUFPLL, and BUFPLL_MCB are not directly supported in 7 series devices.
- The PLL is a subset of the MMCM with the same performance (except minimum CLKIN/PFD and minimum/maximum VCO frequencies), some connectivity limitations, and some reduced functionality. When compared to previous Spartan® FPGA PLLs, the 7 series FPGAs PLLs add power down, input clock switching, and cascading to adjacent CMTs. The PLLs do not have a direct connection to the BUFIO or BUFR.
- In the 7 series FPGAs, there is no direct replacement for the BUFIO2 and BUFIO2_2CLK primitives. Use the BUFIO and BUFR instead with the recommended connections to drive the ILOGIC and OLOGIC.
- The Spartan-6 FPGA BUFIO2 dedicated input routing from GCLKs to the CMT and global clock buffers are no longer supported. To migrate to the 7 series FPGAs, use the dedicated input routing from the CCIO pins.
- There is no direct equivalent in the 7 series FPGAs to the Spartan-6 FPGA BUFPLL. To migrate, use the BUFIO and BUFR with the recommended connections to the ILOGIC and OLOGIC. The high-performance clock routing from MMCME2 CLKOUT[0:3] replaces the dedicated routing to the BUFPLL. The ISERDES and OSERDES circuitry is based on the Virtex-6 architecture. See [UG471: 7 Series FPGAs SelectIO Resources User Guide](#).
- In the 7 series FPGAs, the BUFPLL_MCB primitive is no longer required. DDR memory interfaces have a different (soft) implementation in the 7 series FPGAs. Consult the [UG586: Memory Interface Solutions User Guide](#).
- In the 7 series FPGAs, the BUFIO2FB primitive is no longer required. For MMCM and PLL feedback connections the CLKFBIN can be directly connected to global clock buffers, input pins, or CLKFBOUT depending on the feedback used.
- Spartan-6 FPGAs only supported BUFH. The 7 series FPGAs BUFHCE primitive adds the ability to disable the clock for potential power savings in the clock region driven by this resource.
- The 7 series FPGAs new buffers, BUFMR/BUFMRCE, drive BUFIOs and/or BUFRs in the same and vertically adjacent clock regions. When used with a BUFIO or BUFR, BUFMR/BUFMRCE allow MRCC inputs to access BUFIO and BUFR in adjacent clock regions. BUFMRCE has a selectable synchronous or asynchronous switching feature.
- A new primitive for Spartan-6 FPGA design migration is the BUFR. When used in conjunction with BUFIO the BUFRs functionality replaces the BUFIO2, BUFIO2_2CLK, and BUFPLL capabilities. There are four BUFRs in each clock region.

- Another new primitive for Spartan-6 FPGA design migration is the BUFIO. When used with the BUFR, the BUFIO functionality replaces the BUFIO2, BUFIO2_2CLK, and BUFPLL capabilities. There are four BUFIOs per bank.
- Instead of two DCMs and one PLL in the Spartan-6 architecture, the 7 series FPGAs use a CMT that contains one MMCM, one PLL, and dedicated memory interface logic which is reserved for Xilinx use at this time. DCMs and their associated capabilities are now supported with these functions. The CMTs are located in a separate column adjacent to the SelectIO columns and have dedicated access to the I/O. DCM_SP and DCM_CLKGEN are no longer available and their functionality is now supported in the MMCMs and PLLs.
- Global clock (GCLK) inputs are no longer supported in the 7 series FPGAs. Four clock-capable input pins are now available in every bank that support much of the Spartan-6 FPGA GCLK pin capabilities.
- To Spartan-6 FPGA designers, the MMCM is a new functional block. The MMCM adds fractional divide, fine phase shifting, dynamic phase shifting, inverted clock outputs, CLKOUT6 to CLKOUT4 cascading, and some other features. The direct routing connection to the BUFPLL is replaced by the HPC connection from the MMCMs to the BUFIO/BUFR using CLKOUT[0:3]. A more extensive DRP is also available.
- Using the PLL is no longer the recommended CMT function for general-purpose high-speed I/O clocking. The PLL does not have a direct connection to the BUFIO or BUFR. CLKOUT0 feedback is no longer supported. Use the MMCM for high-speed I/O interfaces. Cascade connections use limited CMT backbone resources. There is also a new power down mode. Input clock switching is fully supported. Operating ranges are different between the Spartan-6 FPGAs and the 7 series FPGAs. The DRP functionality is still available. The DRP functional locations and addresses have changed.
- The Spartan-6 FPGAs DCM_SP is no longer supported. To migrate to the 7 series FPGAs, use the MMCM and PLL.
- The Spartan-6 FPGAs DCM_CLKGEN is not directly supported in the 7 series FPGAs. Use MMCM or PLL with low bandwidth for input jitter filtering. Dynamic reprogramming of the M/D values can also be accomplished using the DRP reference design for the MMCM or PLL.

Summary of Clock Connectivity

Table 1-1 summarizes the 7 series FPGAs clock connectivity.

Table 1-1: Summary of Clock Connectivity

Clocking Function or Pin	Directly Driven By	Used to Directly Drive
<p>Multi-region clock-capable I/O (MRCC)</p> <p>There are two pin/pairs in each bank.</p>	External Clock	<p>MRCCs that are located in the same clock region and on the same left/right side of the device drive:</p> <ul style="list-style-type: none"> • Four BUFIOs • Four BUFRs • Two BUFMRs • One CMT (one MMCM and one PLL) • CMTs above and below (using limited CMT backbone resources)⁽¹⁾. <p>MRCCs within the same half top/bottom drive:</p> <ul style="list-style-type: none"> • 16 BUFGs <p>MRCCs within the same horizontally adjacent clock regions drive:</p> <ul style="list-style-type: none"> • BUFHs
<p>Single-region clock-capable I/O (SRCC)</p> <p>There are two pin/pairs in each bank.</p>	External Clock	<p>SRCCs that are located in the same clock region and on the same left/right side of the device drive:</p> <ul style="list-style-type: none"> • Four BUFIOs • Four BUFRs • One CMT (one MMCM and one PLL) • CMTs above and below (using limited CMT backbone resources)⁽¹⁾. <p>SRCCs within the same half top/bottom drive:</p> <ul style="list-style-type: none"> • 16 BUFGs <p>SRCCs within the same horizontally adjacent clock region drive:</p> <ul style="list-style-type: none"> • BUFHs
BUFIO	<p>Within the same clock region, BUFIOs are driven by:</p> <ul style="list-style-type: none"> • MRCCs (dedicated 1:1) • SRCCs (dedicated 1:1) • MMCM.CLKOUT0–MMCM.CLKOUT3 • CLKFBOUT • BUFMRs in the same clock region and clock regions below and above 	<p>When used within the same clock region, BUFIOs drive:</p> <ul style="list-style-type: none"> • ILOGIC.clk • ILOGIC.clkb • OLOGIC.clk • OLOGIC.clkb • OLOGIC.oclk • OLOGIC.oclkb

Table 1-1: Summary of Clock Connectivity (Cont'd)

Clocking Function or Pin	Directly Driven By	Used to Directly Drive
BUFR	<p>Within the same clock region, BUFRs are driven by:</p> <ul style="list-style-type: none"> • MRCC • SRCC • MMCM.CLKOUT0-MMCM.CLKOUT3 • CLKFBOUT • BUFMR from the clock region above and below • General interconnect 	<p>When used within the same clock region, BUFRs drive:</p> <ul style="list-style-type: none"> • CMT • Any clocking point in the same clock region the BUFG can drive <p>When used within the same half top/bottom, BUFRs drive:</p> <ul style="list-style-type: none"> • 16 BUFGs (not recommended)
BUFMR	<p>Within the same clock region, BUFMRs are driven by:</p> <ul style="list-style-type: none"> • MRCCs (dedicated 1:1) • GT clock outputs listed in this table (see GT Transceiver Clocks) • Interconnect (not recommended) 	<p>When used within the same clock region and the clock regions above and below, BUFMRs drive:</p> <ul style="list-style-type: none"> • BUFIOs • BUFRs
BUFG	<p>Within the same top/bottom half, BUFGs are driven by:</p> <ul style="list-style-type: none"> • SRCCs • MRCCs • CMTs • GT clock outputs listed in this table (see GT Transceiver Clocks) • BUFRs (not recommended) • Interconnect (not recommended) • Adjacent BUFG in the same top/bottom half 	<ul style="list-style-type: none"> • CMT • GT clock outputs listed in this table (see GT Transceiver Clocks;)) • Adjacent BUFGs in same top/bottom half • Any clocking point in the fabric and I/O • CLB control signals • BUFH
BUFH	<p>Within the same clock region and the horizontally adjacent clock region, BUFHs are driven by:</p> <ul style="list-style-type: none"> • SRCC • MRCC • CMT • BUFG • GT clock outputs listed in this table (see GT Transceiver Clocks) • Interconnect (not recommended) 	<p>When used within the same clock region, BUFHs drive:</p> <ul style="list-style-type: none"> • CMT • GT clock outputs listed in this table (see GT Transceiver Clocks;)) • Any clocking point in the same clock region the BUFG can drive
GT Transceiver Clocks RXUSRCLK RXUSRCLK2 TXUSRCLK TXUSRCLK2	<ul style="list-style-type: none"> • Any BUFG <p>Within the same clock region, GTs are driven by:</p> <ul style="list-style-type: none"> • BUFH 	N/A

Table 1-1: Summary of Clock Connectivity (Cont'd)

Clocking Function or Pin	Directly Driven By	Used to Directly Drive
GT Transceiver Clocks: RXOUTCLK TXOUTCLK	N/A	<ul style="list-style-type: none"> • BUFG within the same half top/bottom When used within the same clock region, GTs can drive: <ul style="list-style-type: none"> • CMT • BUFMR • BUFH and BUFH in the horizontally adjacent clock region
MGTREFCLK0/1P MGT positive differential reference clock pins MGTREFCLK0/1N MGT negative differential reference clock pins	External GT reference clock	<ul style="list-style-type: none"> • GT reference clock • BUFG within the same half top/bottom When used within the same clock region, external GT reference clock pins can drive: <ul style="list-style-type: none"> • CMT • BUFMR • BUFH and BUFH in the horizontally adjacent clock region
CMT ⁽¹⁾	<ul style="list-style-type: none"> • BUFG • SRCC (same and adjacent clock regions) • MRCC (same and adjacent clock regions) • GTs in the same clock region • A BUFR within the same clock region, and the clock region above or below using a BUFMR • MMCM/PLL.CLKOUT0-3 	<ul style="list-style-type: none"> • Any BUFG in same top/bottom half When used within the same clock region, CMTs can drive: <ul style="list-style-type: none"> • BUFIO (MMCM) • BUFR (MMCM) • BUFH and BUFH in the horizontally adjacent clock region • MMCM/PLL (with phase offset if not adjacent)
IDELAYCNTRL.CLK	<ul style="list-style-type: none"> • MRCC/SRCC • BUFG • BUFH 	N/A
CCLK pin	Configuration logic	Configuration logic
EMCCLK pin	N/A	Configuration logic
TCK pin	N/A	JTAG configuration logic and Boundary Scan

Notes:

1. Certain restrictions apply. See [Single Clock Driving Multiple CMTs](#), page 31.

Clocking Differences in 7 Series FPGAs

Each of the 7 series FPGA families have some unique connectivity requirements. [Table 1-2](#) lists the connectivity limitations described in [Table 1-1](#) by device family. For a comprehensive graphical representation of the GT, CMT, and I/O locations and alignments, see the *Die Level Bank Numbering Overview* section in [UG475, 7 Series FPGA Packaging and Pinout Specification](#).

Table 1-2: Clocking Connectivity Differences by 7 Series FPGAs

Family	Exceptions
Spartan-7 FPGAs: All devices	There are no connectivity exceptions.
Artix-7 FPGAs: All devices	There are no direct connections from the GTP transceivers to the CMTs and BUFMRs. When connecting from the GTP transceivers to a CMT, a BUFH or BUFG is required.
Kintex-7 FPGAs: All devices	There are no direct connections from the GTX transceivers to the CMTs and BUFMRs. When connecting from the GTX transceivers to a CMT, a BUFH or BUFG is required.
All Virtex-7 T and XT FPGAs	There are no connectivity exceptions. See Stacked Silicon Interconnect Clocking in Chapter 2 for clocking guidelines when designing with the XC7V2000T and XC7VX1140T devices.
All Virtex-7 HT FPGAs	GTZ transceivers can only connect to the interposer clock backbone to connect to SLRs. Thus, they can only drive global clock networks (BUFG routing tracks) and BUFHs and can only be driven by BUFGs. See Stacked Silicon Interconnect Clocking in Chapter 2 .

Clock Routing Resources

7 series FPGAs have several clock routing resources to support various clocking schemes and requirements, including high fanout, short propagation delay, and extremely low skew. To best utilize the clock routing resources, you must understand how to get user clocks from the PCB to the FPGA, decide which clock routing resources are optimal, and then access those clock routing resources by utilizing the appropriate I/O and clock buffers.

This chapter covers:

- [Clock Buffer Selection Considerations](#)
- [Clock-Capable Inputs](#)
- [Global Clocking Resources](#)
- [Regional Clocking Resources](#)
- [High-Performance Clocks](#)

Clock Buffer Selection Considerations

7 series FPGAs have a rich set of clocking resources. The various buffer types, clock input pins, and clocking connectivity satisfy many different application requirements. Selecting the proper clocking resources can improve routeability, performance, and general FPGA resource utilization. For some applications and designs, floor planning or other types of manual guidance can also greatly impact the implementation.

BUFGCTRL (most often used as a BUFG) is the most commonly used clock routing resource. These truly global clocks can connect to every clocking point on the device. However, in some cases it is more advantageous to use alternate clocking buffers for either performance, functional, or clocking resource availability reasons. BUFGs are best deployed when:

- Designs or portions of a design have global reach across large areas of the device and localization of functions is not possible.
- Hardware functional blocks such as block RAM, DSP, or integrated IP that spans many clock regions, are cascaded, or need connections to CLBs that are not nearby.
- By switching clocks synchronous (glitch free) or asynchronous, applications are able to switch away from a stopped clock or select a clock with a different frequency (for example, power reduction).
- The clock enable (CE) functionality can be used to reduce power during non-operating periods. However, in most cases, the CE capability should not be used to simulate a true CE logic function at the clocking elements due to timing (CE delay) limitations.

- The CE function can be used to synchronize initialized clocking elements after device startup.

The main purpose of the BUFR and BUFIO combination is to support source-synchronous interfaces. When an interface is placed into a single region, the BUFIO clocks the high-speed side of the SelectIOs and the BUFR clocks the deserialized/serialized side at a lower speed into the FPGA logic providing the clock domain transfer function. For interfaces that require more logic and/or I/Os than are available in a single clock region/bank, the BUFMR (BUFMRCE) is used to expand clock domain transfer functionality into the clock regions above and below. Certain types of applications that require a divided clock not related to the source-synchronous I/O use case can use a BUFR as a simple clock divider when an MMCM/PLL cannot be used or is not available for the frequency divide function. In this case, particular attention must be paid to the timing and skew because this is not the primary purpose of the BUFR. For more information on clocking SelectIO resources, consult [UG471](#), *7 Series FPGAs SelectIO Resources User Guide*.

The horizontal clock buffer BUFH (BUFHCE) is strictly a regional resource and cannot span clock regions above or below. Unlike BUFR, BUFH does not have the ability to divide the clock.

- BUFHs are similar to a global clocking resource only on a regional basis spanning two horizontal regions.
- BUFHs have the ability to serve as a feedback to the MMCM/PLL and the clock insertion delay can be compensated for.
- BUFHs are the preferred clocking resource when an interface or cloud of logic can be localized to one clock region or two horizontally adjacent clock regions.
- The BUFH also has a clock enable pin (BUFHCE) that can be used to reduce dynamic power consumption when either the logic or an interface and its associated logic are not active.
- The clock enable feature can provide a gated clock on a clock cycle-to-cycle basis.
- Similar to the global clock tree, the BUFH can also connect to non-clocking resources in the CLB (enable/reset) but with better skew characteristics.
- BUFH can also be used for the synchronous startup of clocking elements in a clock region.

For stacked silicon interconnect (SSI) device limitations with respect to clocking resource selection, see [Stacked Silicon Interconnect Clocking](#).

Clock-Capable Inputs

External user clocks must be brought into the FPGA on differential clock pin pairs called clock-capable (CC) inputs. Clock-capable inputs provide dedicated, high-speed access to the internal global and regional clock resources. Clock-capable inputs use dedicated routing and must be used for clock inputs to guarantee timing of various clocking features. General-purpose I/O with local interconnects should not be used for clock signals.

Each I/O bank is located in a single clock region and includes 50 I/O pins. Of the 50 I/O pins in each I/O bank in every I/O column, there are four clock-capable input pin pairs (a total of eight pins). Each clock-capable input:

- Can be connected to a differential or single-ended clock on the PCB
- Can be configured for any I/O standard, including differential I/O standards
- Has a P-side (master), and an N-side (slave)

Single-ended clock inputs must be assigned to the P (master) side of the clock-capable input pin pair.

If a single-ended clock is connected to the P-side of a differential clock pin pair, the N-side cannot be used as another single-ended clock pin—it can only be used as a user I/O. For pin naming conventions, refer to [UG475, 7 Series FPGA Packaging and Pinout Specification](#).

Clock-capable inputs are organized as 2 MRCC and 2 SRCC pairs in each I/O bank. SRCCs access a single clock region and the global clock tree, as well as other CMTs above and below in the same column. SRCCs can drive:

- Regional clocks lines (BUFR, BUFH, BUFIO) within the same clock region
- CMTs in the same clock region and adjacent clock regions.
- Global clocks lines (BUFG) in the same top/bottom half of the device. Refer to *7 Series FPGA Packaging and Pinout Specification* for BUFG and I/O bank alignments.

MRCCs can access multiple clock regions and the global clock tree. MRCCs function the same as SRCCs and can additionally drive multi-clock region buffers (BUFMR) to access up to three clock regions.

Clock-capable inputs can be used as regular I/O if not used as clocks. When used as regular I/O, clock-capable input pins can be configured as any single-ended or differential I/O standard.

Clock-capable inputs can connect to the CMT in the same clock region, and the CMT in the clock regions above and below with some restrictions.

Single Clock Driving a Single CMT

When a clock input drives a single CMT, the clock-capable input and CMT (MMCM/PLL) must be in the same clock region.

Single Clock Driving Multiple CMTs

A single clock input can drive other CMTs in the same column. In this case, an MMCM/PLL must be placed in the same clock region as the clock-capable input. It is more optimal to place additional CMTs into adjacent regions, but CMTs further than one CMT away in the same column can be driven as well. The resources used in the CMTs must be identical for this configuration to be automatically placed without a `CLOCK_DEDICATED_ROUTE` constraint. If a mixture of MMCMs/PLLs is required, they should be placed in the same CMT first.

If it is necessary to drive a CMT from a clock-capable input that is not in the same clock region, and there is no MMCM/PLL in the same clock region as the clock-capable input, the attribute `CLOCK_DEDICATED_ROUTE = BACKBONE` must be set. In this case, the MMCM or PLL do not properly align outputs to the input clock.

There are limited dedicated resources to drive CMTs in the same column. Some Xilinx IP uses these resources, thus making them unavailable for additional design uses and resulting in unroutable designs. If the dedicated routes to the other clock regions are not available, setting `CLOCK_DEDICATED_ROUTE` to `FALSE` allows the local interconnect logic to be used, although it results in longer, uncompensated delays.

Clock-Capable Input Pin Placement Rules

The two main considerations when manually choosing clock-capable input pins in advance of creating the initial design are:

- Ensure that the clock-capable input can connect to the desired clock resource. The placement rules to ensure connectivity are shown in [Table 2-1](#).
- Ensure that the desired clock resources are available and not already used by another portion of the design. The best way to ensure that both external clocks coming in through clock-capable inputs and internally generated clocks coming from IP do not run into conflicts accessing the internal clock networks is to build an initial design containing the desired clock networks and IP, and run it through the implementation tools. This significantly increases checking and confidence that the pinout will not need to change due to clocking reasons.

The placement rules shown in [Table 2-1](#) should be followed to ensure that the clock-capable input pin selection has access to the desired internal clock network. Each I/O bank resides in a single clock region.

Note: Avoid costly board respins and poor clock timing by ensuring that clock-capable input pinout placement is chosen properly.

Table 2-1: Clock-Capable Input Placement Rules

Clock Inputs To	Resource Utilization and Placement Rules ⁽¹⁾⁽²⁾⁽³⁾	Valid Clock-Capable Input Pin
I/Os and/or sequential elements throughout the device ⁽⁴⁾	Clock-capable input > BUFG > global clock tree <ul style="list-style-type: none"> • The clock-capable input must be placed in the same top or bottom half as the BUFG. • There are 16 BUFGs in the top half and 16 BUFGs in the bottom half of each device. • Each clock region can have up to 12 unique global clocks and use the horizontal clock lines. 	SRCC or MRCC
I/O and/or sequential elements within a single clock region using BUFG ⁽⁴⁾	Clock-capable input > BUFG > horizontal clock line <ul style="list-style-type: none"> • Clock-capable inputs must be placed in the same clock region or the horizontally adjacent clock region as the BUFG⁽⁵⁾. • There are 12 BUFGs and 12 horizontal clock lines in each clock region. 	SRCC or MRCC
I/Os and/or sequential elements using CMTs ⁽⁶⁾	Throughout the device: Clock-capable input > CMT > BUFG > global clock tree In a single clock region or adjacent clock regions: Clock-capable input > CMT > BUFG/BUFG > regional clock tree/horizontal clock line Input routing from clock-capable inputs to CMT: <ul style="list-style-type: none"> • A CMT must be placed in the same clock region as the clock-capable input. • CMTs can also be placed in the clock region immediately above or below when multiple CMTs are needed⁽⁵⁾. • There is one CMT per clock region. 	SRCC or MRCC

Table 2-1: Clock-Capable Input Placement Rules (Cont'd)

Clock Inputs To	Resource Utilization and Placement Rules ⁽¹⁾⁽²⁾⁽³⁾	Valid Clock-Capable Input Pin
I/Os and/or sequential elements in a single clock region using BUFR	Clock-capable input > BUFR > regional clock tree: <ul style="list-style-type: none"> • The clock-capable input must be placed in the same clock region as the BUFR, I/Os, and sequentially clocked elements. • A specific clock-capable pin pair connects to a specific BUFR and BUFIO. Therefore it is not recommended to manually LOC the BUFR/BUFIO. • There are four clock-capable inputs and four BUFRs per clock region. 	SRCC or MRCC
I/Os and/or sequential elements in up to three adjacent clock regions ⁽⁷⁾	Clock-capable input > BUFMR > BUFR > regional clock tree ⁽⁸⁾ <ul style="list-style-type: none"> • I/Os and other sequential elements that the BUFRs are driving must be in the same clock region or in the clock region immediately above or below the clock-capable input. The BUFMR must be used to drive BUFRs in the same clock region and adjacent clock regions. • A specific clock-capable pin pair connects to a specific BUFR and BUFIO. Therefore it is not recommended to manually LOC the BUFR/BUFIO. • There are four clock-capable inputs, four BUFRs, and two BUFMRs per clock region. 	MRCC only
Only high-performance SelectIO interfaces in one clock region (50 I/Os)	Clock-capable input > BUFIO > I/O clock tree <ul style="list-style-type: none"> • The clock-capable input must be placed in same clock region as the BUFIO and I/O flip-flops it will be driving. • A specific clock-capable pin pair connects to a specific BUFR and BUFIO. Therefore it is not recommended to manually LOC the BUFR/BUFIO. • There are four clock-capable inputs and four BUFIOs per clock region. 	SRCC or MRCC

Table 2-1: Clock-Capable Input Placement Rules (Cont'd)

Clock Inputs To	Resource Utilization and Placement Rules ⁽¹⁾⁽²⁾⁽³⁾	Valid Clock-Capable Input Pin
Only high-performance SelectIO interfaces in up to two adjacent clock regions ⁽⁷⁾	Clock-capable input > BUFMR > BUFIOs > I/O clock tree ⁽⁸⁾ <ul style="list-style-type: none"> • Sequential I/Os and BUFIOs must be placed in the same clock region as the clock-capable input, or in immediately adjacent clock regions above or below. • The BUFMR must be used to access BUFIOs and I/O clocks in the same clock region and adjacent clock regions. • A specific clock-capable pin pair connects to a specific BUFR and BUFIO. Therefore it is not recommended to manually LOC the BUFR/BUFIO. • There are four clock-capable inputs, four BUFIOs, and two BUFMRs per clock region. 	MRCC only

Notes:

1. Refer to [Clocking Differences in 7 Series FPGAs, page 27](#), for details on devices that have exceptions to these placement rules and [UG475, 7 Series FPGA Packaging and Pinout Specification](#), for CMT, BUFG, and I/O bank alignments.
2. Ensure that the clock-capable input pinout does not require more resources than available, that is, more than the 16 BUFGs per “half” of the device, one CMT per clock region, four BUFRs per clock region, etc. If more clocking resources are needed than are available, the clock-capable inputs should be reassigned so that they can reach clocking resources in other clock regions.
3. If defining clock or high-speed bus interface pinouts for SSI devices, refer to [UG872: Large FPGA Design Methodology Guide](#).
4. BUFH and BUFG use the same horizontal clock line resources within the clock regions. Each BUFG or BUFH uses one of the 12 horizontal clock lines in a clock region.
5. Certain restrictions apply. See [Single Clock Driving Multiple CMTs, page 31](#).
6. CLOCK_DEDICATED_ROUTE = BACKBONE is required when clock-capable inputs drive CMTs in other clock regions in the same column but not in the same clock region.
7. When driving clocks into adjacent clock regions using the BUFMR or CMT, reduced clock resources can impact the adjacent clock regions. For example, using a BUFMR to drive a BUFR in an adjacent clock region prohibits one of the clock-capable input pairs in the adjacent clock region from driving the regional clock tree in its own clock region. A BUFH or BUFG can still be used to drive the global clock lines in that adjacent clock region.
8. If a memory interface is placed in the same bank or region that the BUFRs/BUFIOs reside in, the connectivity from the BUFMR to those BUFRs/BUFIOs in that bank or region might be restricted.

- [Clock Regions](#)
- [Global Clock Buffers](#)

Clock Tree and Nets - GCLK

7 series FPGAs clock trees are designed for low-skew and low-power operation. Any unused branch is disconnected. The clock trees can also be used to drive logic resources such as reset or clock enable. This is mostly used for high fanout/load nets.

In the 7 series FPGAs architecture, the pin access of the global clock lines are not limited to the logic resources clock pins. The global clock lines can drive pins in the CLB other than CLK pins (for example: the control pins SR and CE). Applications requiring a very fast signal connection and large load/fanout benefit from this architecture.

Clock Regions

7 series devices improve the clocking distribution by the use of clock regions. Each clock region can have up to 12 global clock domains. These 12 global clocks can be driven by any combination of the 32 global clock buffers available in a monolithic device or SLR. The dimensions of a clock region are fixed to 50 CLBs tall (50 IOBs) and spanning the left or right side of the die. In 7 series devices, the clock backbone splits the device into a left or right side. The backbone is not located in the center of the die. By fixing the dimensions of the clock region, larger 7 series devices can have more clock regions. The 7 series FPGAs supply from 1 to 24 clock regions.

Global Clock Buffers

There are up to 32 global clock buffers in 7 series devices. A CCIO input can directly connect to any global clock buffer in the same half of the device. Each differential clock pin pair can connect to either a differential or single-ended clock on the PCB. When used as a differential clock input, the direct connection comes from the P-side of the differential input pin pair. When used as a single-ended clock input, the P-side of the pin pair must be used because a direct connection only exists on this pin. For pin naming conventions, refer to the [UG475: 7 Series FPGAs Packaging and Pinout Specification](#). If a single-ended clock is connected to the P-side of a differential pin pair, then the N-side cannot be used as another single-ended clock pin. However, it can be used as a user I/O.

CMTs in the top half of the device can only drive the BUFs in the top half of the device and CMTs in bottom half can only drive BUFs in the bottom half. Similarly, only BUFs in the same half of the device can be used as feedback to the CMTs in the same half of the device. Gigabit transceivers (GTs) can only directly connect to MMCMs/PLLs when the CMT column extends into regions that also contain a full column of GTs and I/Os. The Virtex-7T and Virtex-7XT devices have these full columns. The GTs and CMTs in the Spartan-7, Artix-7, Kintex-7, and Zynq-7000 devices can only be connected using BUFHs (preferred) or BUFs.

Global clock buffers allow various clock/signal sources to access the global clock trees and nets. The possible sources for input to the global clock buffers include:

- Clock-capable inputs
- Clock management tile (CMT) consisting of mixed-mode clock managers (one MMCM and one PLL per CMT) driving BUFs in the same half of the device.
- Adjacent global clock buffer outputs (BUFs)
- General interconnect

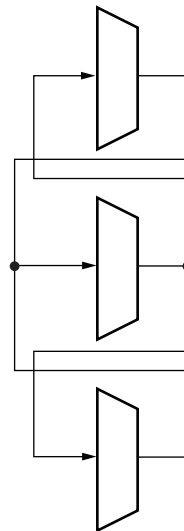
- Regional clock buffers (BUFRs)
- Gigabit transceivers

The 7 series FPGAs clock-capable inputs can drive global clock buffers indirectly through the vertical clock network that exists in the clock backbone column. The 32 BUFGs are organized into two groups of 16 BUFGs in the top and bottom of the device. Any resources (for example, GTX transceivers) connecting to the BUFGs directly have a top/bottom limitation. For example, each MMCM in the top can only drive the 16 BUFGs residing in that top of the device. Similarly, the MMCMs in the bottom drive the 16 BUFGs in the bottom.

All global clock buffers can drive all clock regions in 7 series devices. However, only 12 different clocks can be driven in a single clock region. A clock region (50 CLBs) is a branch of the clock tree consisting of 25 CLB rows up and 25 CLB rows down. A clock region spans halfway across the device.

The clock buffers are designed to be configured as a synchronous or asynchronous glitch-free 2:1 multiplexer with two clock inputs. There is a dedicated path (routing resource) for BUFG cascading to allow for more than two clock input selections. The 7 series FPGAs control pins provide a wide range of functionality and robust input switching.

In the 7 series FPGAs clocking architecture BUFGCTRL multiplexers and all derivatives can be cascaded to adjacent clock buffers within the group of 16 in the upper and lower half of the device, effectively creating a ring of 16 BUFGMUXes (BUFGCTRL multiplexers) in the upper half and another ring of 16 in the lower half. [Figure 2-2](#) shows a simplified diagram of cascading BUFGs.



UG472_c1_03_091010

Figure 2-2: Cascading BUFGs

The following subsections detail the various configurations, primitives, and use models of the 7 series FPGAs clock buffers.

Global Clock Buffer Primitives

The primitives in [Table 2-2](#) are different configurations of the global clock buffers. The ISE® or Vivado® design tools manage the configuration of all these primitives, the *Constraints Guide* describes the LOC constraint.

Table 2-2: Global Clock Buffer Primitives

Primitive	Input	Output	Control
BUFGCTRL	I0, I1	O	CE0, CE1, IGNORE0, IGNORE1, S0, S1
BUFG	I	O	–
BUFGCE	I	O	CE
BUFGCE_1	I	O	CE
BUFGMUX	I0, I1	O	S
BUFGMUX_1	I0, I1	O	S
BUFGMUX_CTRL	I0, I1	O	S

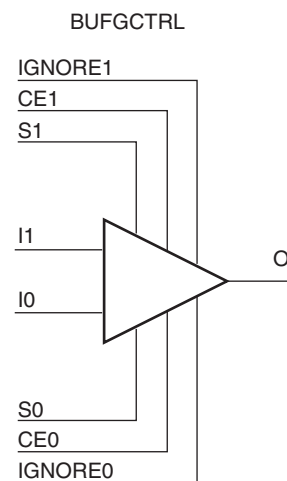
Notes:

1. All primitives are derived from a software preset of BUFGCTRL.

BUFGCTRL

The BUFGCTRL primitive shown in [Figure 2-3](#), can switch between two asynchronous clocks. All other global clock buffer primitives are derived from certain configurations of BUFGCTRL.

BUFGCTRL has four select lines, S0, S1, CE0, and CE1. It also has two additional control lines, IGNORE0 and IGNORE1. These six control lines are used to control the input I0 and I1.



UG472_c1_03_061310

Figure 2-3: BUFGCTRL Primitive

BUFGCTRL is designed to switch between two clock inputs without the possibility of a glitch. When the presently selected clock transitions from High to Low after S0 and S1 change, the output is kept Low until the other (to-be-selected) clock transitions from High

to Low. Then the new clock starts driving the output. The default configuration for BUFGCTRL is falling-edge sensitive and held at Low prior to the input switching. BUFGCTRL can also be rising-edge sensitive and held at High prior to the input switching by using the INIT_OUT attribute.

In some applications the conditions previously described are not desirable. Asserting the IGNORE pins will bypass the BUFGCTRL from detecting the conditions for switching between two clock inputs. In other words, asserting IGNORE causes the MUX to switch the inputs at the instant the select pin changes. IGNORE0 causes the output to switch away from the I0 input immediately when the select pin changes, while IGNORE1 causes the output to switch away from the I1 input immediately when the select pin changes.

Selection of an input clock requires a “select” pair (S0 and CE0, or S1 and CE1) to be asserted High. If either S or CE is not asserted High, the desired input will not be selected. In normal operation, both S and CE pairs (all four select lines) are not expected to be asserted High simultaneously. Typically only one pin of a “select” pair is used as a select line, while the other pin is tied High. The truth table is shown in [Table 2-3](#).

Table 2-3: Truth Table for Clocking Resources

CE0	S0	CE1	S1	O
1	1	0	X	I0
1	1	X	0	I0
0	X	1	1	I1
X	0	1	1	I1
1	1	1	1	Old Input ⁽¹⁾

Notes:

1. Old input refers to the valid input clock before this state is achieved.
2. For all other states, the output becomes the value of INIT_OUT and does not toggle.

Although both S and CE are used to select a desired output, only S is suggested for glitch free switching. This is because when using CE to switch clocks, the change in clock selection can be faster than when using S. A violation in the Setup/Hold time of the CE pins causes a glitch at the clock output. On the other hand, using the S pins allows you to switch between the two clock inputs without regard to Setup/Hold times. As a result, using S to switch clocks will not result in a glitch. See [BUFGMUX_CTRL](#). The CE pin is designed to allow backward compatibility from previous Virtex architectures.

The timing diagram in Figure 2-4 illustrates various clock switching conditions using the BUFGCTRL primitives. Exact timing numbers are best found using the speed specification.

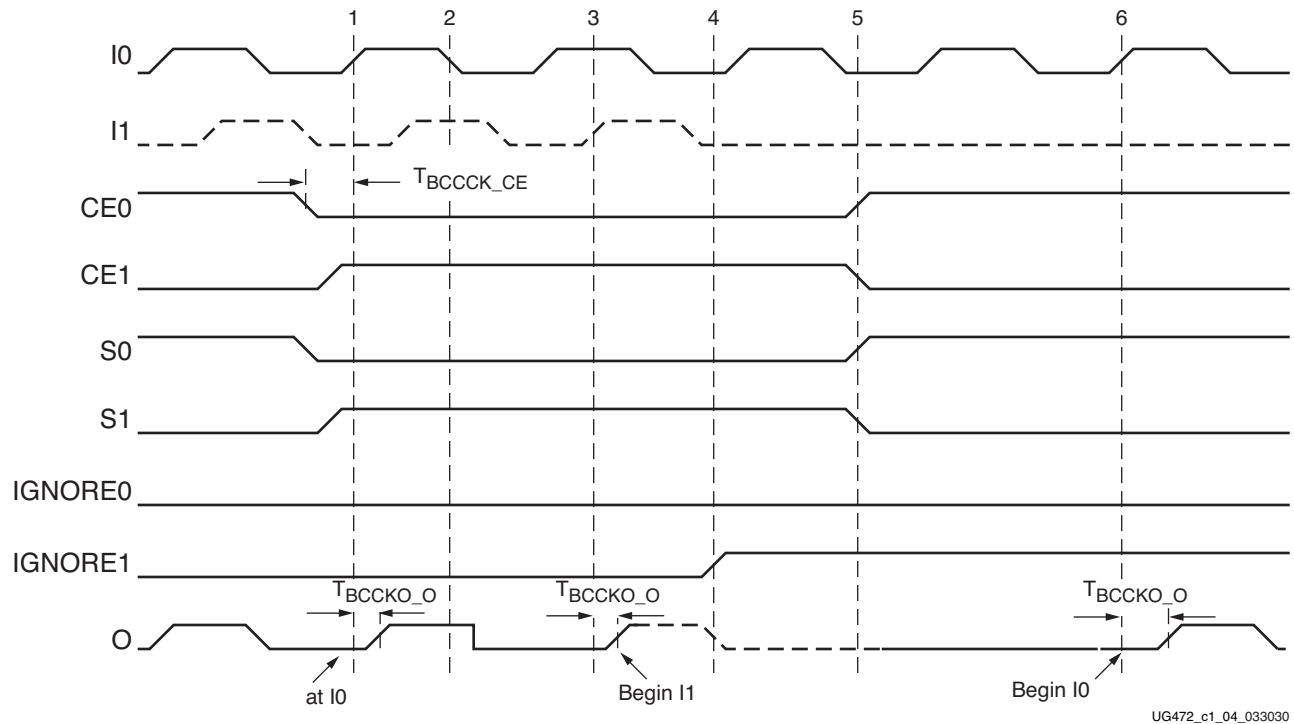


Figure 2-4: BUFGCTRL Timing Diagram

- Before time event 1, output O uses input I0.
- At time T_{BCCCK_CE} , before the rising edge at time event 1, both CE0 and S0 are deasserted Low. At about the same time, both CE1 and S1 are asserted High.
- At time T_{BCCCKO_O} , after time event 3, output O uses input I1. This occurs after a High to Low transition of I0 (event 2) followed by a High to Low transition of I1.
- At time event 4, IGNORE1 is asserted.
- At time event 5, CE0 and S0 are asserted High while CE1 and S1 are deasserted Low. At T_{BCCCKO_O} , after time event 6, output O has switched from I1 to I0 without requiring a High to Low transition of I1.

Other capabilities of BUFGCTRL are:

- Pre-selection of the I0 and I1 inputs are made after configuration but before device operation.
- The initial output after configuration can be selected as either High or Low.
- Clock selection using CE0 and CE1 only (S0 and S1 tied High) can change the clock selection without waiting for a High to Low transition on the previously selected clock.

Table 2-4 summarizes the attributes for the BUFGCTRL primitive.

Table 2-4: BUFGCTRL Attributes

Attribute Name	Description	Possible Values
INIT_OUT	Initializes the BUFGCTRL output to the specified value after configuration. Sets the positive or negative edge behavior. Sets the output level when changing clock selection.	0 (default), 1
PRESELECT_I0	If TRUE, BUFGCTRL output will use the I0 input after configuration ⁽¹⁾	FALSE (default), TRUE
PRESELECT_I1	If TRUE, BUFGCTRL output will use the I1 input after configuration ⁽¹⁾	FALSE (default), TRUE

Notes:

- Both PRESELECT attributes cannot be TRUE at the same time.

BUFG

BUFG is a clock buffer with one clock input and one clock output. This primitive is based on BUFGCTRL with some pins connected to logic High or Low. Figure 2-5 illustrates the relationship of BUFG and BUFGCTRL. The LOC constraint is available for manually placing the BUFG location. See the *Constraints Guide* for more information.

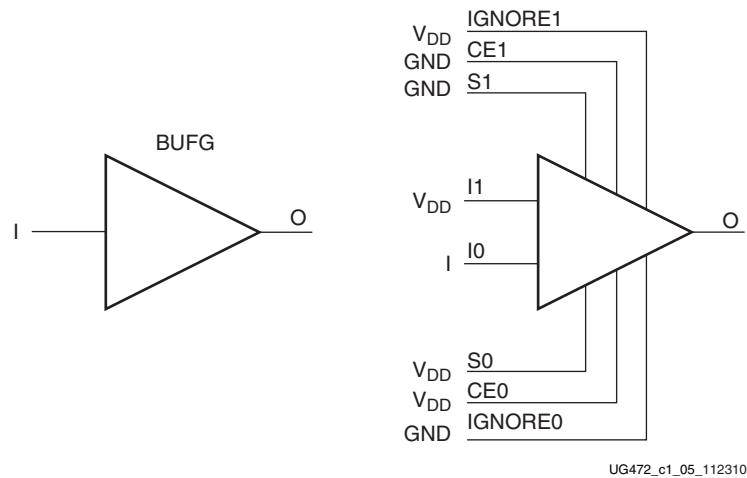


Figure 2-5: BUFG as BUFGCTRL

The output follows the input as shown in the timing diagram in Figure 2-6.



Figure 2-6: BUFG Timing Diagram

BUFGCE and BUFGCE_1

Unlike BUFG, BUFGCE is a clock buffer with one clock input, one clock output and a clock enable line. This primitive is based on BUFGCTRL with some pins connected to logic High or Low. [Figure 2-7](#) illustrates the relationship of BUFGCE and BUFGCTRL. The LOC constraint is available for manually placing the BUFGCE and BUFGCE_1 locations. See the *Constraints Guide* for more information.

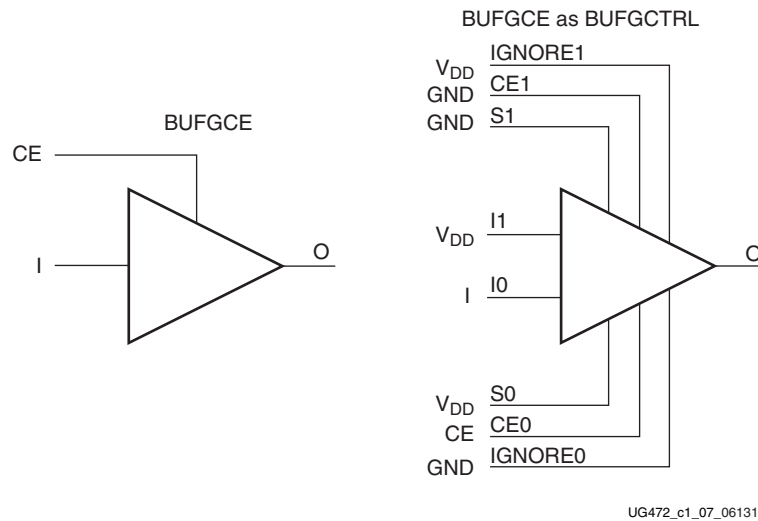


Figure 2-7: BUFGCE as BUFGCTRL

The switching condition for BUFGCE is similar to BUFGCTRL. If the CE input is Low prior to the incoming rising clock edge, the following clock pulse does not pass through the clock buffer, and the output stays Low. Any level change of CE during the incoming clock High pulse has no effect until the clock transitions Low. The output stays Low when the clock is disabled. However, when the clock is being disabled it completes the clock High pulse.

Since the clock enable line uses the CE pin of the BUFGCTRL, the select signal must meet the setup time requirement. Violating this setup time can result in a glitch. [Figure 2-8](#) illustrates the timing diagram for BUFGCE.

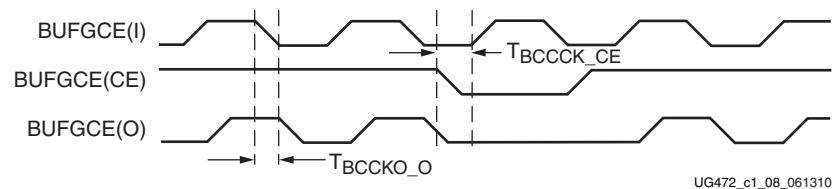


Figure 2-8: BUFGCE Timing Diagram

BUFGCE_1 is similar to BUFGCE, with the exception of its switching condition. If the CE input is Low prior to the incoming falling clock edge, the following clock pulse does not pass through the clock buffer, and the output stays High. Any level change of CE during the incoming clock Low pulse has no effect until the clock transitions High. The output stays High when the clock is disabled. However, when the clock is being disabled it completes the clock Low pulse.

Figure 2-9 illustrates the timing diagram for BUFGCE_1.

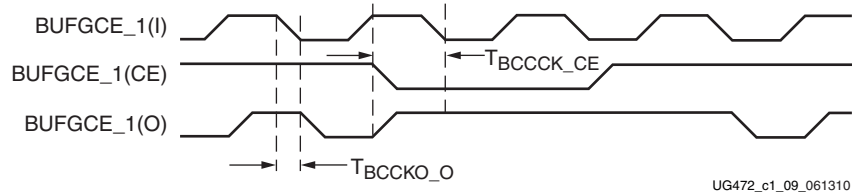


Figure 2-9: BUFGCE_1 Timing Diagram

BUFGMUX and BUFGMUX_1

BUFGMUX is a clock buffer with two clock inputs, one clock output, and a select line. This primitive is based on BUFGCTRL with some pins connected to logic High or Low. Figure 2-10 illustrates the relationship of BUFGMUX and BUFGCTRL. The LOC constraint is available for manually placing the BUFGMUX and BUFGCTRL locations. See the *Constraints Guide* for more information.

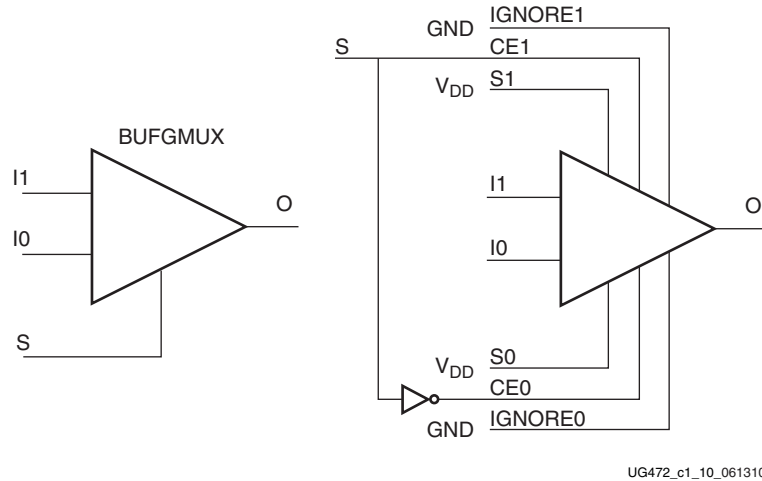


Figure 2-10: BUFGMUX as BUFGCTRL

Since the BUFGMUX uses the CE pins as select pins, when using the select, the setup time requirement must be met. Violating this setup time can result in a glitch.

Switching conditions for BUFGMUX are the same as the CE pins on BUFGCTRL. Figure 2-11 illustrates the timing diagram for BUFGMUX.

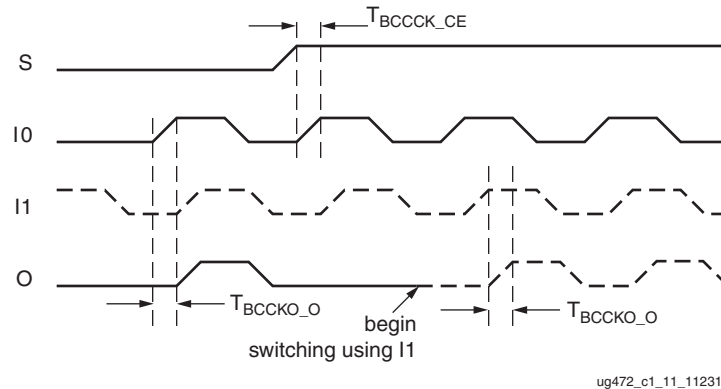


Figure 2-11: BUFGMUX Timing Diagram

In Figure 2-11:

- The current clock is I0.
- S is activated High.
- If I0 is currently High, the multiplexer waits for I0 to deassert Low.
- Once I0 is Low, the multiplexer output stays Low until I1 transitions High to Low.
- When I1 transitions from High to Low, the output switches to I1.
- If Setup/Hold are met, no glitches or short pulses can appear on the output.

BUFGMUX_1 is rising edge sensitive and held at High prior to input switch. Figure 2-12 illustrates the timing diagram for BUFGMUX_1. The LOC constraint is available for manually placing the BUFGMUX and BUFGMUX_1 locations. See the *Constraints Guide* for more information.

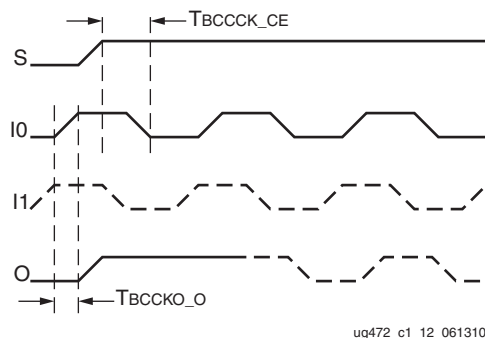


Figure 2-12: BUFGMUX_1 Timing Diagram

In Figure 2-12:

- The current clock is I0.
- S is activated High.
- If I0 is currently Low, the multiplexer waits for I0 to be asserted High.
- Once I0 is High, the multiplexer output stays High until I1 transitions Low to High.
- When I1 transitions from Low to High, the output switches to I1.

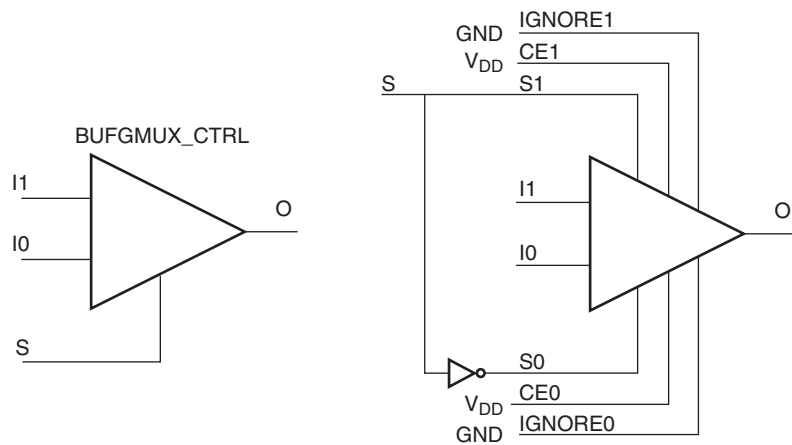
- If Setup/Hold are met, no glitches or short pulses can appear on the output.

Table 2-5: BUFGMUX Attributes

Attribute Name	Description	Possible Values
CLK_SEL_TYPE	Specifies synchronous or asynchronous clock switching.	SYNC (default), ASYNC

BUFGMUX_CTRL

The BUFGMUX_CTRL replaces the BUFGMUX_VIRTEX4 legacy primitive. BUFGMUX_CTRL is a clock buffer with two clock inputs, one clock output, and a select line. This primitive is based on BUFGCTRL with some pins connected to logic High or Low. Figure 2-13 illustrates the relationship of BUFGMUX_CTRL and BUFGCTRL.



ug472_c1_13_061310

Figure 2-13: BUFGMUX_CTRL as BUFGCTRL

BUFGMUX_CTRL uses the S pins as select pins. S can switch anytime without causing a glitch. The Setup/Hold time on S is for determining whether the output will pass an extra pulse of the previously selected clock before switching to the new clock. If S changes as shown in Figure 2-14, prior to the setup time T_{BCCCK_S} and before I0 transitions from High to Low, then the output will not pass an extra pulse of I0. If S changes following the hold time for S, then the output will pass an extra pulse. If S violates the Setup/Hold requirements, the output might pass the extra pulse, but it will not glitch. In any case, the output will change to the new clock within three clock cycles of the slower clock.

The Setup/Hold requirements for S0 and S1 are with respect to the falling clock edge, not the rising edge as for CE0 and CE1.

Switching conditions for BUFGMUX_CTRL are the same as the S pin of BUFGCTRL. Figure 2-14 illustrates the timing diagram for BUFGMUX_CTRL.

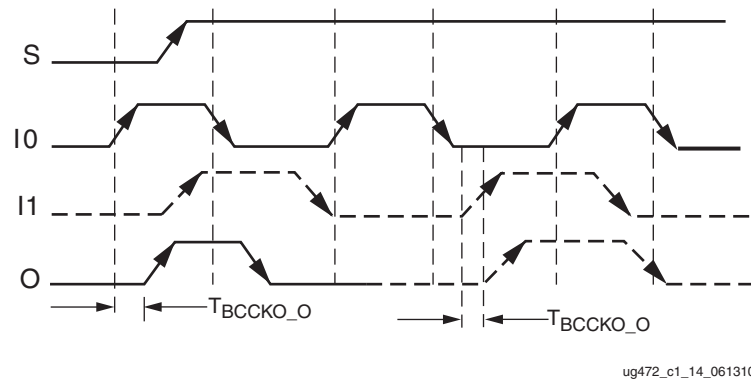


Figure 2-14: BUFGMUX_CTRL Timing Diagram

Other capabilities of the BUFGMUX_CTRL primitive are:

- Pre-selection of I0 and I1 input after configuration.
- Initial output can be selected as High or Low after configuration.

Additional Use Models

Asynchronous MUX Using BUFGCTRL

In some cases an application requires immediate switching between clock inputs or bypassing the edge sensitivity of BUFGCTRL. An example is when one of the clock inputs is no longer switching. If this happens, the clock output would not have the proper switching conditions because the BUFGCTRL never detected a clock edge. This case uses the asynchronous MUX. Figure 2-15 illustrates an asynchronous MUX with BUFGCTRL design example. Figure 2-16 shows the asynchronous MUX timing diagram.

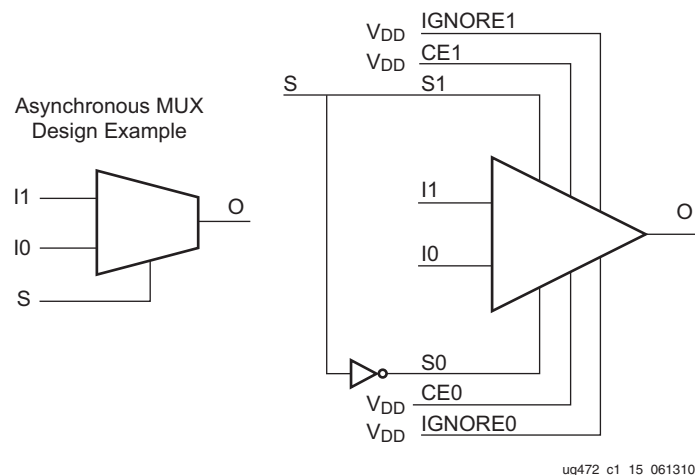


Figure 2-15: Asynchronous MUX with BUFGCTRL Design Example

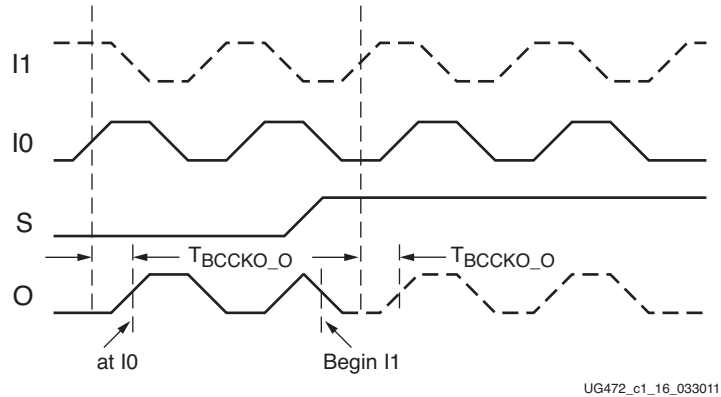


Figure 2-16: Asynchronous MUX Timing Diagram

In Figure 2-16:

- The current clock is from I0.
- S is activated High.
- The Clock output immediately switches to I1.
- When Ignore signals are asserted High, glitch protection is disabled.

BUFGMUX_CTRL with a Clock Enable

A BUFGMUX_CTRL with a clock enable BUFGCTRL configuration allows you to choose between the incoming clock inputs. If needed, the clock enable is used to disable the output. Figure 2-17 illustrates the BUFGCTRL usage design example and Figure 2-18 shows the timing diagram.

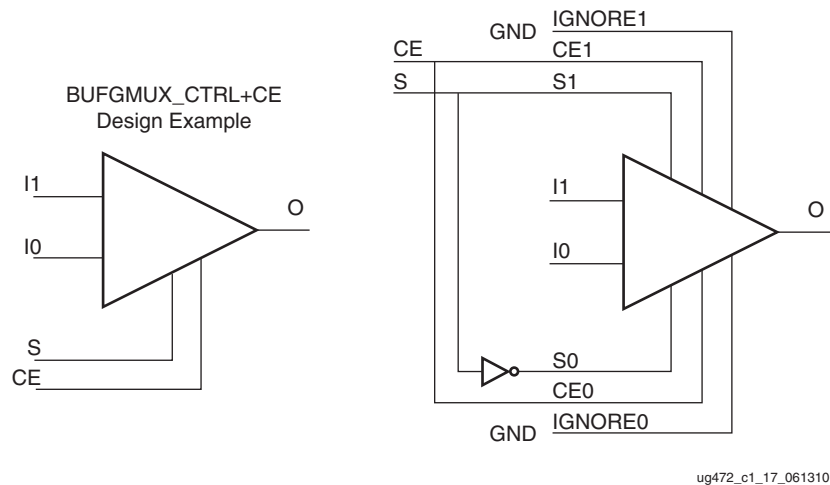


Figure 2-17: BUFGMUX_CTRL with a CE and BUFGCTRL

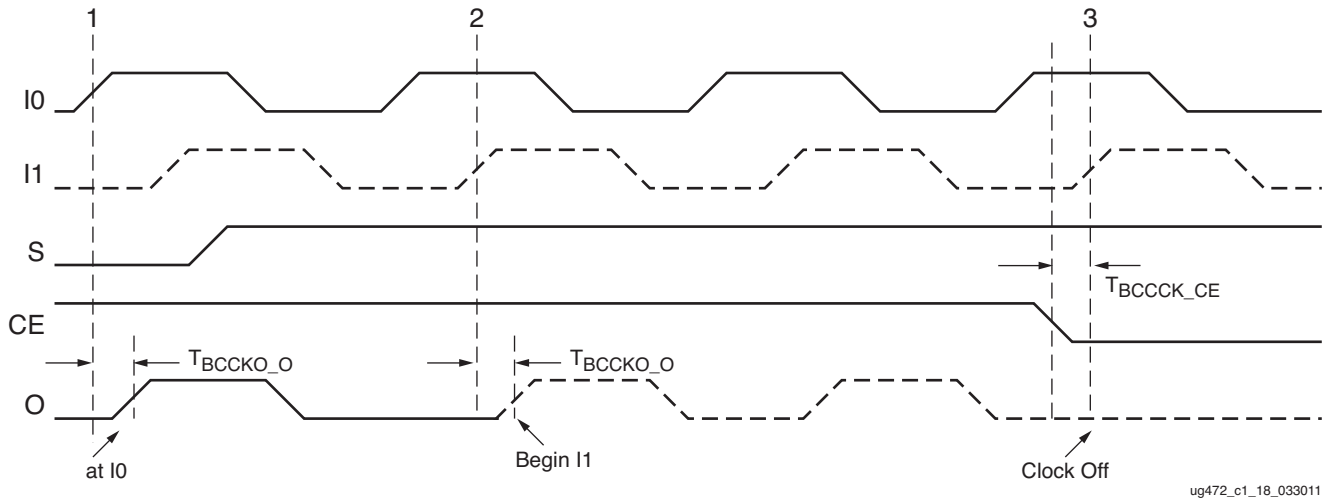


Figure 2-18: BUFGMUX_CTRL with a CE Timing Diagram

In Figure 2-18:

- At time event 1, output O uses input I0.
- Before time event 2, S is asserted High.
- At time T_{BCCKO_O} , after time event 2, output O uses input I1. This occurs after a High to Low transition of I0 followed by a High to Low transition of I1 is completed.
- At time T_{BCCCK_CE} , before time event 3, CE is asserted Low. To avoid any output clock glitches, the clock output is switched Low and kept at Low until after a High to Low transition of I1 is completed.

Regional Clocking Resources

Regional clock networks are clock networks independent of the global clock network. Unlike global clocks, the span of a regional clock signal (BUFR) is limited to one clock region, one I/O clock signal drives a single bank. These networks are especially useful for source-synchronous interface designs. The I/O banks in 7 series devices are the same size as a clock region.

To understand how regional clocking works, it is important to understand the signal path of a regional clock signal. The regional clocking resources and network in 7 series devices consist of the following paths and components:

- [Clock-Capable I/O](#)
- [I/O Clock Buffer—BUFIO](#)
- [Regional Clock Buffer—BUFR](#)
- [Regional Clock Nets](#)
- [Multi-Region Clock Buffer—BUFMR/BUFMRCE](#)
- [Horizontal Clock Buffer—BUFH, BUFHCE](#)
- [High-Performance Clocks](#)

Clock-Capable I/O

Each clock region has four clock-capable I/O pin pairs per I/O bank in every I/O column. Clock-capable I/O pairs are specialized I/O pairs in select locations with special hardware connections to nearby regional clocking resources and other clocking resources. Additionally, clock capable I/O pairs can be used as regular I/O pairs. There are four dedicated clock-capable I/O sites in every bank. When used as clock inputs, clock-capable pins can drive BUFIO, BUFMR, and BUFR. Each I/O column supports regional clock buffers (BUFR). There are two I/O columns in each device.

When used as single-ended clock pins, then as described in [Global Clock Buffers](#) the P-side of the pin pair must be used because a direct connection only exists on this pin.

A CCIO can drive any BUFR in the region, but only dedicated CCs can drive specific BUFIOs and MRCCs can drive BUFMRs in a 1:1 relationship. This means that a CCIO has only a single connection to a specific BUFIO or BUFMR.

I/O Clock Buffer—BUFIO

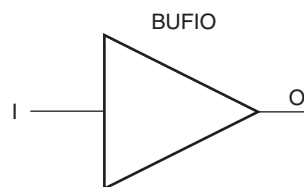
The I/O clock buffer (BUFIO) is a clock buffer available in 7 series devices. The BUFIO drives a dedicated clock net within the I/O bank, independent of the global clocking resources. Thus, BUFIOs are ideally suited for source-synchronous data capture (forwarded/receiver clock distribution). BUFIOs are driven by clock-capable I/Os located in the same bank, by the HPC from the MMCM, or by the BUFMRs in the same and adjacent regions. In a clock region, there are four BUFIOs per bank. Each BUFIO can drive a single I/O clock network in the same region/bank. BUFIOs cannot drive logic resources (CLB, block RAM, DSP, etc.) because the I/O clock network only reaches the I/O column in the same bank/clock region. For multi-region bank support, see [Multi-Region Clock Buffer—BUFMR/BUFMRCE](#).

BUFIOs are driven by:

- SRCCs and MRCCs in the same clock region
- MRCCs in an adjacent clock region using BUFMRs
- MMCMs clock outputs 0-3 driving the HPC in the same clock region

BUFIO Primitive

BUFIO is a clock in, clock out buffer. There is a phase delay between input and output. [Figure 2-19](#) shows the BUFIO. [Table 2-6](#) lists the BUFIO ports. A location constraint is available for BUFIO.



ug472_c1_19_061310

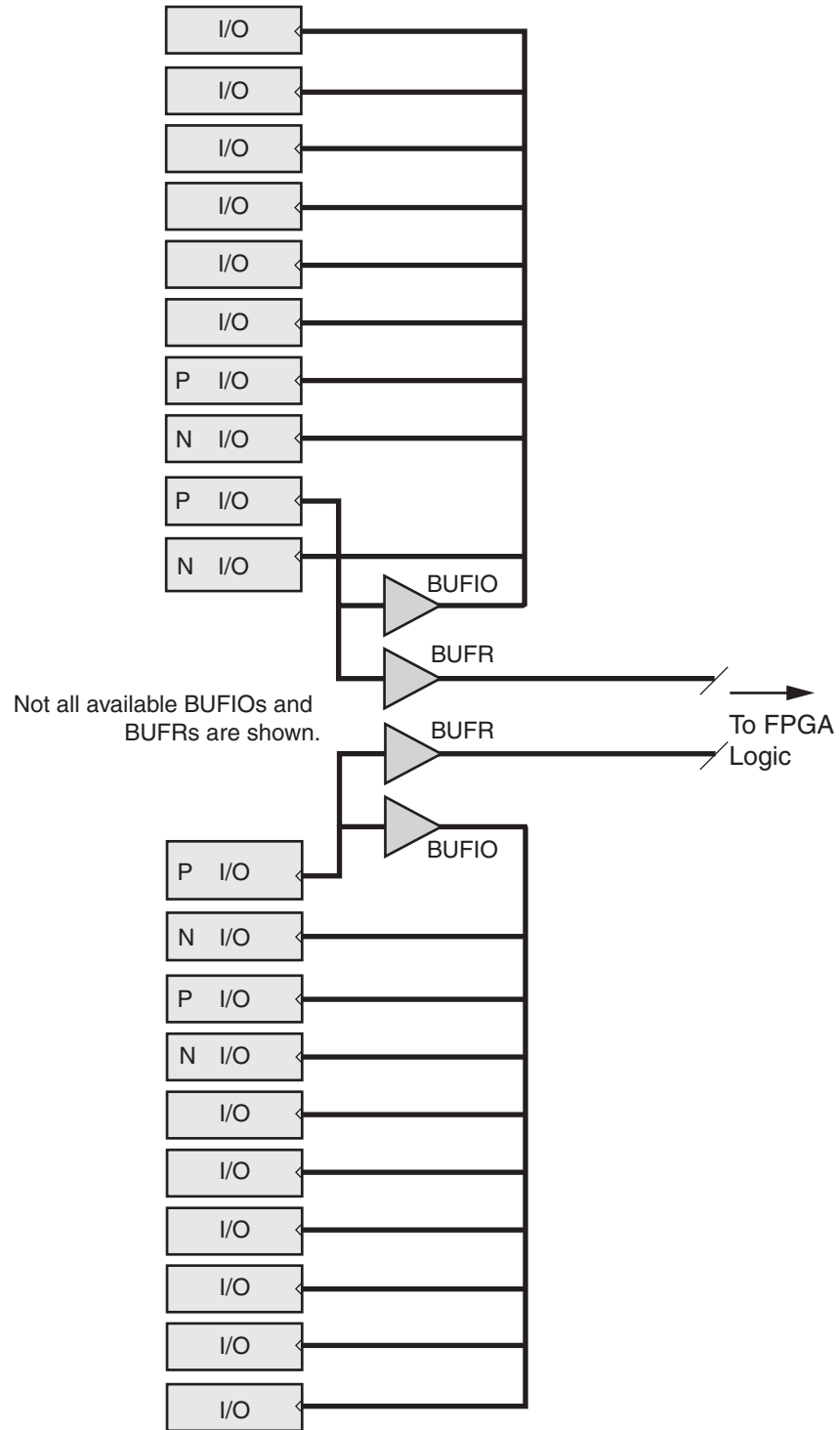
Figure 2-19: BUFIO Primitive

Table 2-6: BUFIO Port List and Definitions

Port Name	Type	Width	Definition
O	Output	1	Clock output port
I	Input	1	Clock input port

BUFIO Use Models

In [Figure 2-20](#), a BUFIO is used to drive the I/O logic using the clock-capable I/O. This implementation is ideal in source-synchronous applications where a forwarded clock is used to capture incoming data.



ug472_c1_20_030311

Figure 2-20: BUFIO Driving I/O Logic

Regional Clock Buffer—BUFR

The regional clock buffer (BUFR) is another clock buffer available in 7 series devices. BUFRs drive clock signals to a dedicated clock net within a clock region, independent from the global clock tree. Each BUFR can drive the four regional clock nets in the region it is located. Unlike BUFIOs, BUFRs can drive the I/O logic *and* logic resources (CLB, block RAM, etc.). BUFRs can be driven by clock-capable pins, local interconnect, and the MMCMs HPCs (CLKOUT0 through CLKOUT3), or the BUFMRs in the same and adjacent regions. In addition, BUFRs are capable of generating divided clock outputs with respect to the clock input. The divide values are an integer between one and eight. BUFRs are ideal for source-synchronous applications requiring clock domain crossing or serial-to-parallel conversion.

BUFRs are driven by:

- SRCCs and MRCCs in the same clock region
- MRCCs in an adjacent clock region using BUFMRs
- MMCMs clock outputs 0-3 driving the HPC in the same clock region
- MMCMs clock outputs 0-3
- General interconnect

Each I/O column supports regional clock buffers. There are two I/O columns in a device. BUFRs can also directly drive MMCM clock inputs and BUFMs.

BUFR Primitive

BUFR (Figure 2-21 and Table 2-7) is a clock-in/clock-out buffer with the capability to divide the input clock frequency. The 7 series FPGAs BUFRs can also directly drive MMCM clock inputs and BUFMs.

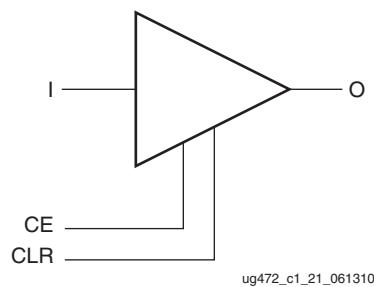


Figure 2-21: BUFR Primitive

Table 2-7: BUFR Port List and Definitions

Port Name	Type	Width	Definition
O	Output	1	Clock output port
CE ⁽¹⁾	Input	1	Asynchronous output clock enable port. Cannot be used in BYPASS mode.
CLR	Input	1	Asynchronous clear for the divide logic, and sets the output Low. Cannot be used in BYPASS mode.

Table 2-7: BUFR Port List and Definitions (Cont'd)

Port Name	Type	Width	Definition
I	Input	1	Clock input port

1. CE is not intended to be used as an actively switching signal and is not timed by the ISE or Vivado design tools.

Additional Notes on the CE Pin

When CE is asserted/deasserted, the output clock signal turns on/off. When global set/reset (GSR) signal is High, the BUFR output is held in reset, even if CE is held High. The BUFR output toggles after the GSR signal is deasserted when a clock is on the BUFR input port.

BUFR Attributes and Modes

Clock division in the BUFR is controlled in software through the BUFR_DIVIDE attribute. Table 2-8 lists the possible values when using the BUFR_DIVIDE attribute.

Table 2-8: BUFR_DIVIDE Attribute

Attribute Name	Description	Possible Values
BUFR_DIVIDE	Defines whether the output clock is a frequency divided version of the input clock.	1, 2, 3, 4, 5, 6, 7, 8 BYPASS (default)

Notes:

1. Location constraint is available for BUFR.

The propagation delay through BUFR is different for BUFR_DIVIDE = 1 and BUFR_DIVIDE = BYPASS. When set to 1, the delay is slightly more than BYPASS. All other divisors have the same delay BUFR_DIVIDE = 1. The phase relationship between the input clock and the output clock is the same for all possible divisions except BYPASS.

The timing relationship between the inputs and output of BUFR when using the BUFR_DIVIDE attribute is illustrated in Figure 2-22. In this example, the BUFR_DIVIDE attribute is set to three. Sometime before this diagram CLR was asserted.

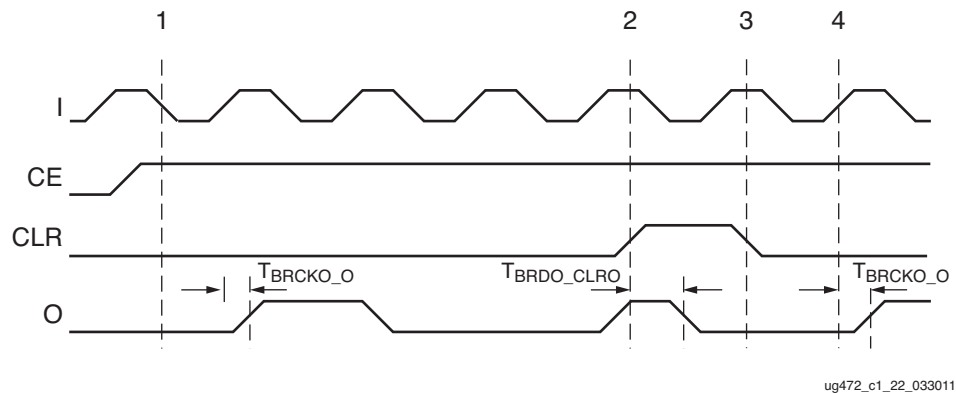


Figure 2-22: BUFR Timing Diagrams with BUFR_DIVIDE Values

In Figure 2-22:

- Before clock event 1, CE is asserted High.

- After CE is asserted and time T_{BRCKO_O} , the output O begins toggling at the divide by three rate of the input I. T_{BRCKO_O} and other timing numbers are best found in the speed specification.

Note: The duty cycle is not 50/50 for odd division. The Low pulse is one cycle of I longer.

- At time event 2, CLR is asserted. After T_{BRDO_CLRO} from time event 2, O stops toggling.
- At time event 3, CLR is deasserted.
- At time T_{BRCKO_O} after clock event 4, O begins toggling again at the divided by three rate of I.

Note: For proper operation, if the clock to the BUFR is stopped, then a reset (CLR) must be applied after the clock returns.

BUFR Use Models

BUFRs are ideal for source-synchronous applications requiring clock domain crossing or serial-to-parallel conversion. Unlike BUFIOs, BUFRs are capable of clocking logic resources in the FPGAs other than the IOBs. [Figure 2-23](#) is a BUFR design example.

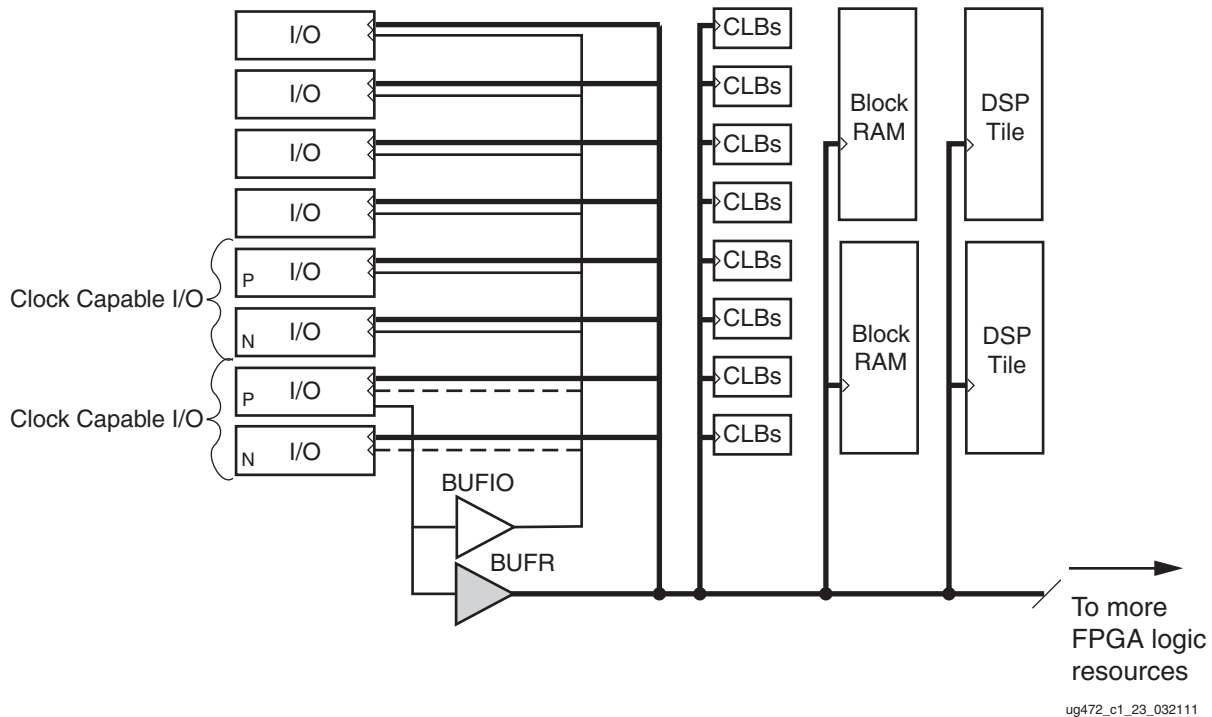


Figure 2-23: BUFR Driving Various Logic Resources

Regional Clock Nets

In addition to global clock trees and nets, 7 series devices contain regional clock trees and nets. The regional clock trees are also designed for low-skew and low-power operation. Unused branches are disconnected. The regional clock trees also manage the load/fanout when all the logic resources are used.

Regional clock nets do not propagate throughout the whole 7 series device. Instead, they are limited to only one clock region. One clock region contains four independent regional

clock nets. To access regional clock nets, BUFMRs must be instantiated. For multi-region support, see [Multi-Region Clock Buffer—BUFMR/BUFMRCE](#).

Multi-Region Clock Buffer—BUFMR/BUFMRCE

The BUFMR replaces the multi-region/bank support for BUFR and BUFIO available in previous Virtex architectures. There are two BUFMRs in every bank and each buffer can be driven by one specific MRCC in the same bank. MRCC pins are labeled with MRCC in the pin name for both the P and N pins of the pin pair (for example: `IO_L12P_T1_MRCC_12` or `IO_L12N_T1_MRCC_12`). The BUFMRs drive the BUFIOs and/or BUFRs in the same region/banks and in the regions/banks above and below. BUFR and BUFIO primitives must be separately instantiated. When using BUFR dividers (not in bypass), the BUFMR must be disabled by deasserting the CE pin, the BUFR must be reset (cleared by asserting CLR), and then the CE signal should be asserted. This sequence ensures that all BUFR output clocks are phase aligned. If the dividers within the BUFRs are not used, then the circuit topology only requires the use of BUFMR.

BUFMR inputs include:

- MRCCs in the same bank
- GT clocks in the same region

BUFMR Primitive

BUFMRs ([Figure 2-24](#), [Table 2-9](#), and [Table 2-10](#)) are a clock-in/clock-out buffer with clock enable (CE). Deasserting CE stops the output clock. BUFMRs must drive BUFRs and BUFIOs to route to the same region/bank and adjacent regions/banks. BUFMRs are driven by the MRCCs or the GT clocks in the same region.

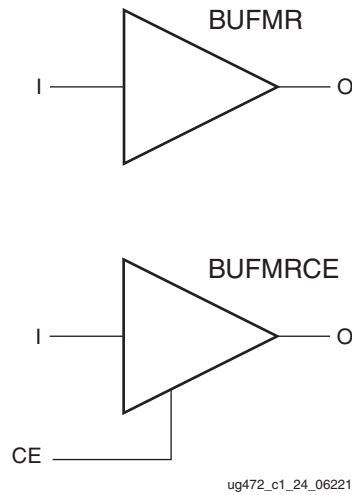


Figure 2-24: BUFMR and BUFMRCE Primitives

Table 2-9: BUFMR and BUFMRCE Port List and Definitions

Port	Type	Width	Definition
O	Output	1	Clock output port
CE	Input	1	Output clock enable port
I	Input	1	Clock input port

Table 2-10: BUFMR and BUFMRCE Attributes

Attribute Name	Description	Possible Values
INIT_OUT	Initializes the BUFGCTRL output to the specified value after configuration. Sets the positive or negative edge behavior. Sets the output level when changing clock selection.	0 (default), 1
CE_TYPE	Set to SYNC for CE to be synchronous from input to output O, or set to ASYNC for asynchronous input to output.	SYNC (default), ASYNC

To use BUFMR or BUFMRCE with BUFIOs, the interface pins must fit within three banks. Similarly, if used with BUFMRs, the logic must fit in up to three regions (if three BUFMRs are used). If a memory interface is placed in the same bank or region that the BUFMRs/BUFIOs reside in, the connectivity from the BUFMR to those BUFMRs/BUFIOs in that bank or region might be restricted. Figure 2-25 shows the topology of the BUFMRCE.

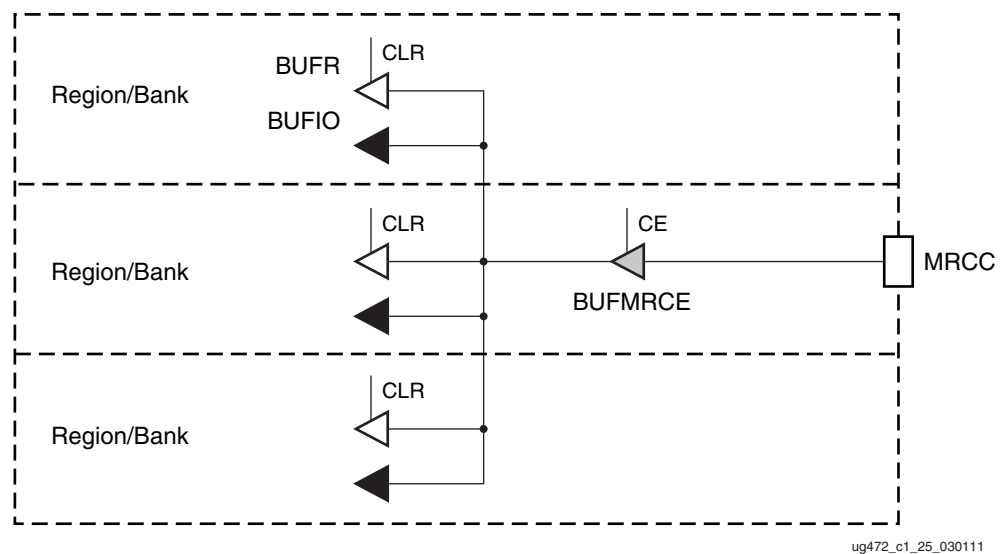


Figure 2-25: Multi-Region Buffer Topology

The CE_TYPE attribute should always be set to SYNC to ensure that the clock output is glitch free. If the clock output of the BUFMRCE is stopped (for example, by deasserting CE), the BUFMR must be reset (CLR) after the BUFMRCE is enabled again. The main purpose of CE on the BUFMRCE is to provide a synchronous, phase-aligned clock to the BUFMRs and BUFIOs. For more details on the use of BUFMR in driving BUFMRs and BUFIOs, see [Appendix A, Multi-Region Clocking](#).

Horizontal Clock Buffer—BUFH, BUFHCE

The horizontal clock buffer (BUFH) drives a horizontal global clock tree spine in a single region (Figure 2-26). Each region has 12 BUFHs available. Every BUFH has a clock enable pin (CE) that allows the clocks to be turned-off dynamically. BUFHs can be driven by:

- MMCM/PLL outputs in the same region
- BUFG outputs
- GT output clocks in the same or horizontal adjacent clock region
- Local interconnect
- Clock-capable inputs from either the left or right side I/O banks in the same horizontal adjacent regions/banks

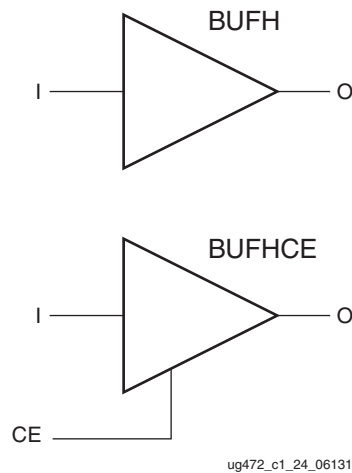


Figure 2-26: BUFH and BUFHCE Primitives

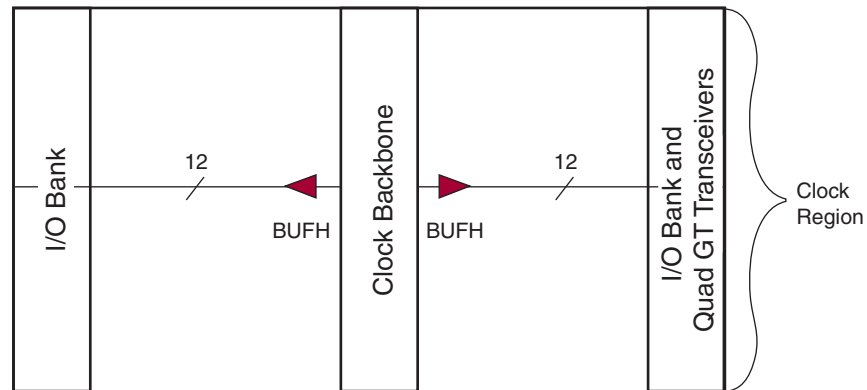
Table 2-11: BUFH and BUFHCE Port List and Definitions

Port Name	Type	Width	Definition
O	Output	1	Clock output port
CE	Input	1	Output clock enable port
I	Input	1	Clock input port

Table 2-12: BUFH and BUFHCE Attributes

Attribute Name	Description	Possible Values
INIT_OUT	Initializes the BUFH output to the specified value after configuration. Sets the positive or negative edge behavior. Sets the output level when changing clock selection.	0 (default), 1
CE_TYPE	Set to SYNC for CE to be synchronous from input to output O, or set to ASYNC for asynchronous input to output.	SYNC (default), ASYNC

To use the BUFH, the logic must fit into the two regions horizontally adjacent to each other (left and right) as illustrated in Figure 2-27. The clock enable pin can completely turn off the clocks thus realizing potential power savings. The power consumption and jitter in a BUFH is lower when compared to a BUFG driving two adjacent regions.



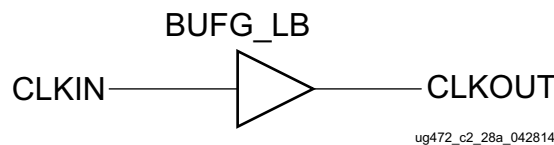
ug472_c1_27_020812

Figure 2-27: Example of a Horizontal Clock Buffer

GTZ Loopback Clock Buffer — BUFG_LB (HT devices only)

BUFG_LB (Figure 2-28) is a clock buffer with one clock input and one clock output. This loopback buffer is required if the TXOUTCLKs and/or RXOUTCLKs drive user logic directly in the fabric without the use of an MMCM. They also drive back to their corresponding TXUSRCLK and RXUSRCLK. Typically, these clock buffers are part of the 7 series transceiver wizard for the GTZ gigabit transceivers. The BUFG_LBs are located at the top in the XC7VH580T and XC7VH870T and at the bottom in the XC7VH870T of the clock backbone next to the GTZ SLRs. In the XC7VH870T, there are 16 bottom (X3Y0 to X3Y15) and 16 top (X1Y16 to X1Y31) BUFG_LBs. In the XC7VH580T, there are 16 top (X1Y0 to X1Y15) BUFG_LBs. They have a fixed, relative location to the GTZ octals and connect to the GTZ octals clocks as listed in Table 2-13.

Note: Not all of these clock buffers are used.



ug472_c2_28a_042814

Figure 2-28: BUFG_LB Primitive

Table 2-13: BUFG_LB locations

TX/RX OUTCLK to TX/RX USERCLKs	BUFG_LB Locations in the XC7VH580T	BUFG_LB Locations in the XC7VH870T
Top GTZ Octals		
TXOUTCLK0	BUFG_LB_X1Y0	BUFG_LB_X1Y16
TXOUTCLK1	BUFG_LB_X1Y4	BUFG_LB_X1Y20
RXOUTCLK0	BUFG_LB_X1Y12	BUFG_LB_X1Y28
RXOUTCLK1	BUFG_LB_X1Y2	BUFG_LB_X1Y18
RXOUTCLK2	BUFG_LB_X1Y6	BUFG_LB_X1Y22
RXOUTCLK3	BUFG_LB_X1Y10	BUFG_LB_X1Y26
Bottom GTZ Octals		
TXOUTCLK0	N/A	BUFG_LB_X3Y15
TXOUTCLK1	N/A	BUFG_LB_X3Y11
RXOUTCLK0	N/A	BUFG_LB_X3Y3
RXOUTCLK1	N/A	BUFG_LB_X3Y13
RXOUTCLK2	N/A	BUFG_LB_X3Y9
RXOUTCLK3	N/A	BUFG_LB_X3Y5

For more details, see the *7 Series FPGAs GTZ Transceivers Advance Specification User Guide* (UG478).

High-Performance Clocks

7 series FPGAs contain four HPCs per I/O bank. These clocks are a direct short differential connection to BUFIOs and BUFRLs in the I/O. Therefore, these clocks exhibit very low jitter and minimal duty-cycle distortion. In the I/O columns, the HPC connects to the BUFIO/BUFRLs and drives the I/O logic. Since the CMT column is co-located next to the I/O column, the HPC drives directly into the I/O bank next to a CMT.

HPCs are driven by CLKOUT[3:0] of the MMCM (only).

Clock Gating for Power Savings

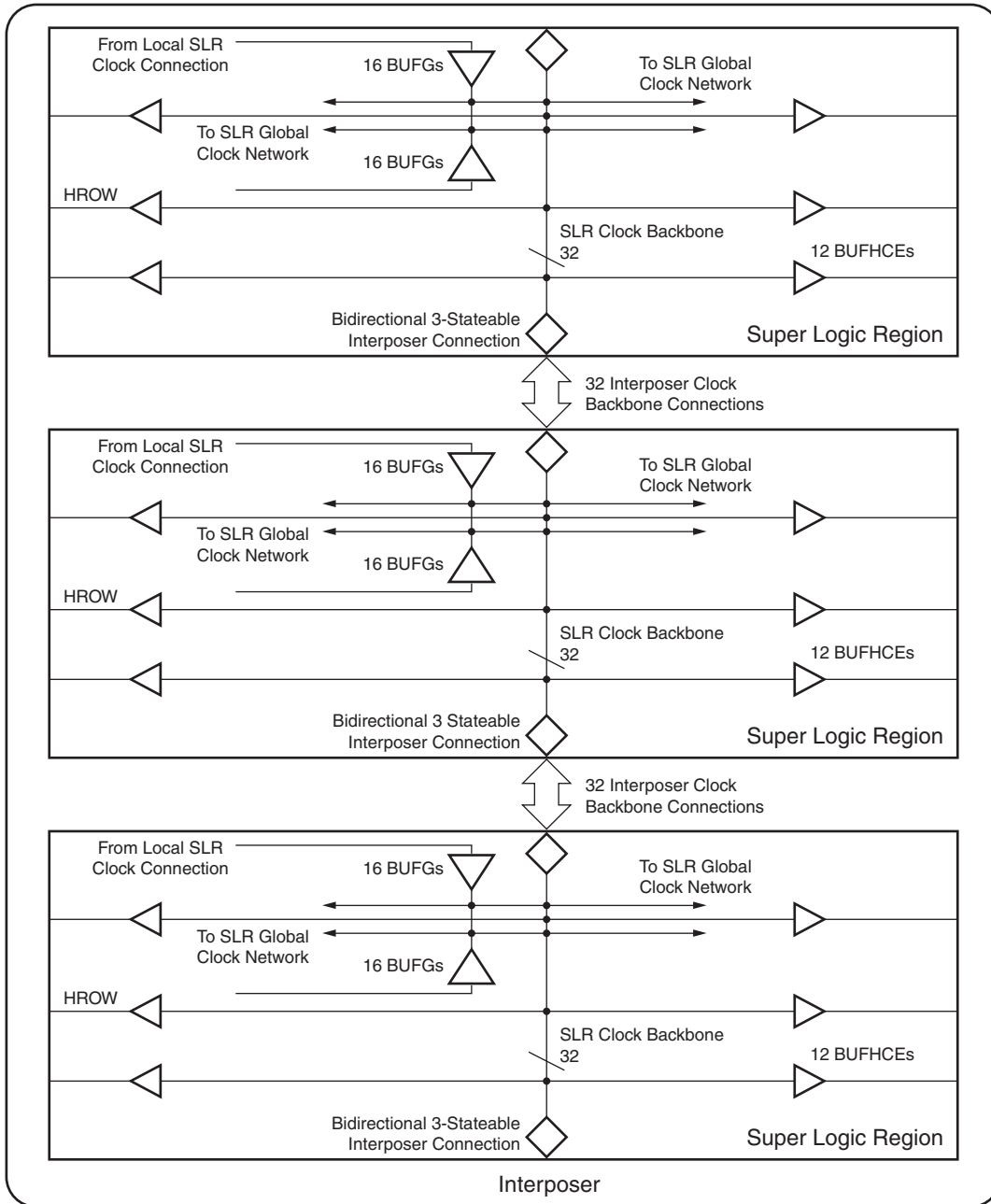
The 7 series FPGA clock architecture provides a straightforward means of implementing clock gating for the purposes of powering down portions of a design. Most designs contain several unused BUFGCE or BUFHCE resources. A clock can drive a BUFGCE or BUFHCE input, a BUFGCE output can drive distinct regions of logic, and a BUFHCE can drive a single region. For example, if all the logic that is required to always be operating is constrained to a few clock regions, then the BUFGCE output can drive those regions. Or, if a BUFHCE drives an interface fitting in a single region, then that interface could be shutdown during non-operation. Toggling the enable of the BUFGCE or BUFHCE provides a simple means of stopping all dynamic power consumption in the logic regions available for power savings.

The Xilinx Power Estimator (XPE) tool is used to estimate power savings. The difference is calculated by setting the frequency on the corresponding clock net to 0 MHz or providing the appropriate stimulus data to the tool.

Stacked Silicon Interconnect Clocking

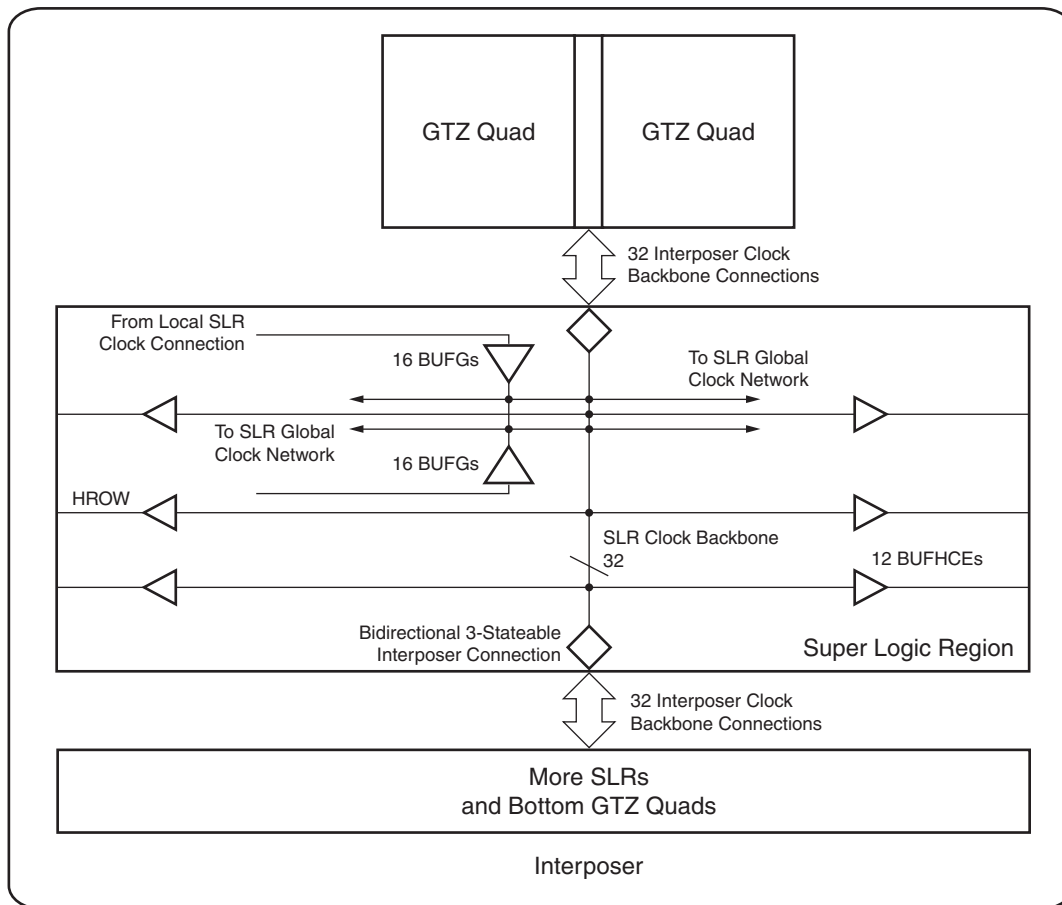
The clocking structure in the Virtex-7 FPGAs that are built using the stacked silicon interconnect (SSI) technology is largely the same as the clocking structure in other, monolithic 7 series devices (see [Figure 2-29](#) and [Figure 2-30](#)). There are 32 global clock buffers (BUFGs) and 32 global clock lines (the clock backbone) in each super logic region (SLR) which connect to adjacent SLR clock backbones via fast, dedicated, 3-stateable vertical routes in the interposer. The interposer clock backbone is an extension of the clock backbone used to connect the clock backbone for each of the SLRs. The ability for the 32 global clock lines to travel across the interposer means that the global clock lines run the height of the device, enabling BUFGs in one SLR to clock components anywhere in the FPGA. The interposer clock backbone is the only dedicated clocking resource across SLRs.

A BUFG on any SLR can drive a specific, dedicated global clock track on any or all other SLRs. Each SSI SLR has 32 global clocks (BUFGs) available and other clocking resources are the same as monolithic devices. The total number of BUFGs in the SSI devices are available with the limitations described in the clock placement sections below. The BUFGs are only driven by the sources within the SLR where they reside. Each SLR is three clock regions tall. Clocks that cross from one SLR to an adjacent SLR are subject to more skew than clocks that stay within a single SLR. Attention must be paid to minimize skew when placing clocking networks by placing related BUFG clocking structures into the same SLR, which might require duplication of external clocks.



UG472_c1_28_020712

Figure 2-29: SSI Technology Example for Virtex-7 XT Devices



UG472_c2_19_061212

Figure 2-30: SSI Technology Example for Virtex-7 HT Devices (Top Side View)

Certain clocking resources cannot cross the boundaries between SLRs. CCIOs cannot drive CMTs or BUFs in another SLR. Similarly, the BUFMR cannot drive BUFRs and BUFIOs in adjacent SLRs. BUFs and CMTs cannot be cascaded across the interposer. These limitations should be understood when migrating designs between SSI devices and monolithic devices. For specific guidance on clocking pinout planning, see [UG872: Large FPGA Methodology Guide](#).

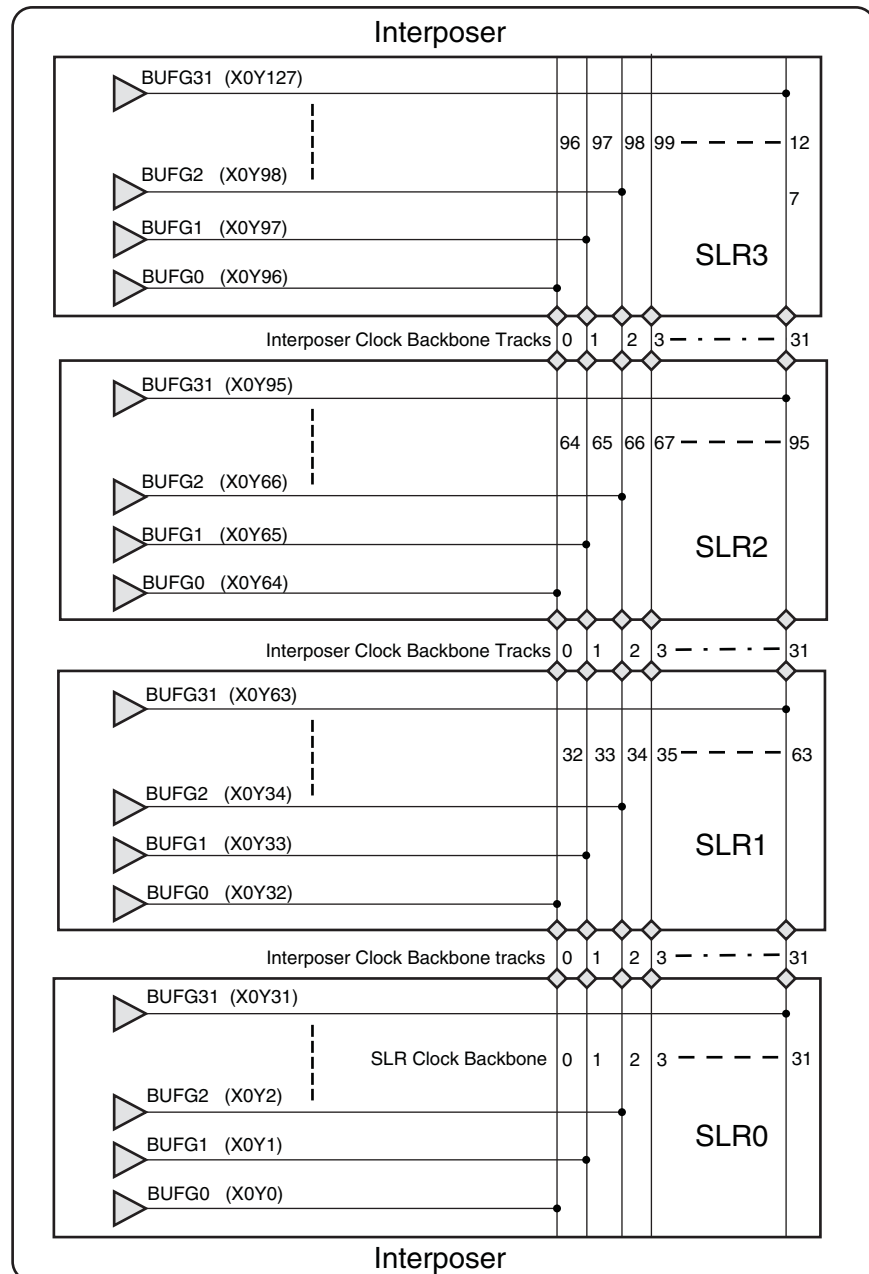
Placement of Clocking Structures

Whenever possible, place related clocking structures such as I/O clocking (I/O interfaces), MMCMs, PLLs, and global clocks into the same SLR. Placement of these structures within the SLR follow the same rules as a monolithic device. The software automatically resolves conflicting rules when the clocking logic is constrained to the SLR level by you. However, placement of clock structures within single SLR can minimize skew effect. If a global clock drives resources in two other SLRs, then place the driving BUFG in an SLR that is centered between the destination SLRs, thus driving to the SLRs above and below.

Clock Buffer Placement

A single global clock buffer can drive any clocking point in any SLR. The global clock buffers are competing for the 32 available interposer clock backbone tracks. A track driven by a BUFG in one SLR cannot be driven by another BUFG in the same or any other SLR. Because each SLR clock track is segmentable at the SLR boundary, a BUFG in one SLR can use the same track as a BUFG in an adjacent SLR as long as the clocking is local to the SLR and does not need to connect to an adjacent SLR.

For example, in the largest SSI device (XC7V2000T), each of the SLRs has 32 BUFGs. The BUFGs and the associated clock nets can be viewed as four groups of 0–31, 32–63, 64–95, and 96–127 from the bottom SLR up to the top. BUFGs and clock nets that are multiples of 32 (32 indices apart from each other) contend for the same interposer backbone resources. In this XC7V2000T example, these are SLR clock nets 0, 32, 64, and 96; 1, 33, 65, and 97; and so on. With four SLRs, the BUFGs X0Y0, X0Y32, X0Y64, and X0Y96 (all called BUFG0s in [Figure 2-31](#)) connect to the same track 0 in the interposer backbone. Therefore, only one of those buffers can be used in the design. Similarly, the BUFGs X0Y1, X0Y33, X0Y65, and X0Y97 (all BUFG1s) compete for interposer backbone track 1.



UG472_c2_18_011712

Figure 2-31: BUFG Connectivity across Interposer Clock Backbone

Clock Management Tile

Introduction

In 7 series FPGAs, the clock management tile (CMT) includes a mixed-mode clock manager (MMCM) and a phase-locked loop (PLL). The PLL contains a subset of the MMCM functions. At the core of the 7 series FPGAs CMT is the architecture similar to the Virtex-5 and Virtex-6 FPGAs with enhanced functions and capabilities. The CMT backbone can be used to chain CMT clocking functions; however, there are limitations to placement, distance, and connectivity resources. See [Appendix B, Clocking Resources and Connectivity Variations per Clock Region](#).

The CMT diagram ([Figure 3-1](#)) shows a high-level view of the connection between the various clock input sources and the MMCM/PLL. In 7 series FPGAs, the clock input connectivity allows multiple resources to provide the reference clock(s) to the MMCM/PLL. The number of output counters (dividers) is eight with some of them capable of driving out an inverted clock signal (180° phase shift). For backward compatibility with DCMs, nine independent outputs can be selected for mapping the DCM outputs directly into the MMCM. 7 series FPGAs MMCMs have infinite fine phase-shift capability in either direction and can be used in dynamic phase-shift mode. The resolution of the fine phase shift depends on the VCO frequency. Fractional divide functionality in increments of 1/8th (0.125) for CLKFBOUT and CLKOUT0 are available to support greater clock frequency synthesis capability. 7 series FPGAs have added spread spectrum capabilities to the MMCMs. If the MMCM spread spectrum feature is not used, a spread spectrum on an external input clock will not be filtered and thus passed on to the output clock.

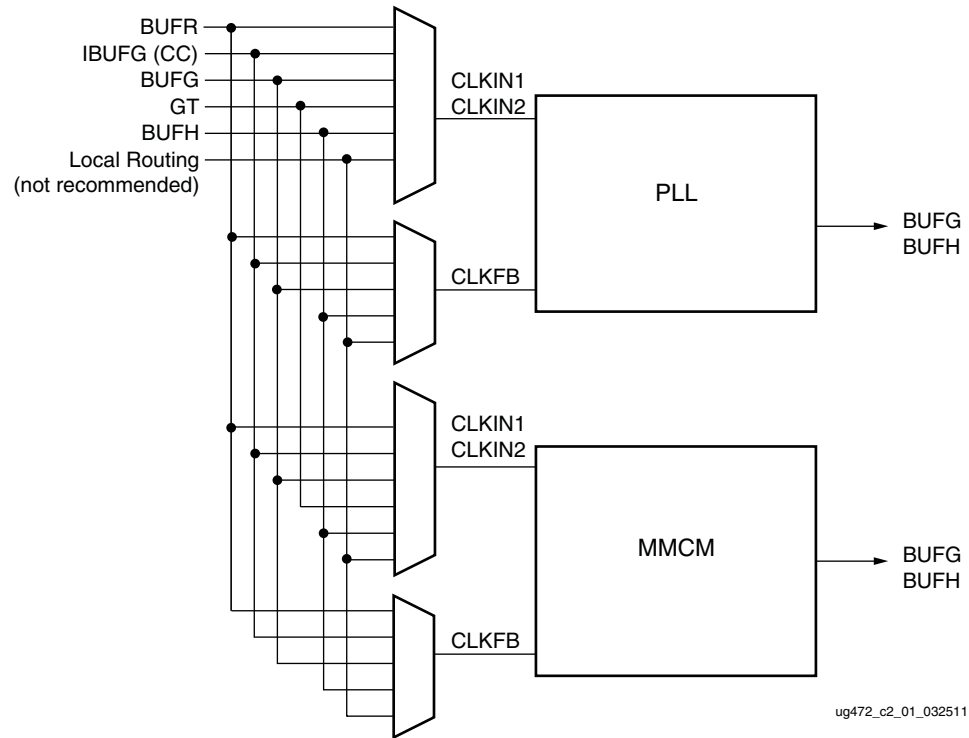


Figure 3-1: Block Diagram of the 7 Series FPGAs CMT

MMCMs and PLLs

7 series devices contain up to 24 CMT tiles. The MMCMs and PLLs serve as frequency synthesizers for a wide range of frequencies, serve as a jitter filters for either external or internal clocks, and deskew clocks.

The PLL in the 7 series FPGAs, a subset of the MMCM functionality, is based on the MMCM and not necessarily based on previous PLL designs. The additional features supported by the MMCM are:

- Direct HPC to BUFR or BUFIO using CLKOUT[0:3]
- Inverted clock outputs (CLKOUT[0:3]B)
- CLKOUT6
- CLKOUT4_CASCADE
- Fractional divide for CLKOUT0_DIVIDE_F
- Fractional multiply for CLKFBOUT_MULT_F
- Fine phase shifting
- Dynamic phase shifting

Input multiplexers select the reference and feedback clocks from either the IBUFG, BUFG, BUFR, BUFH, GTs (CLKIN only), or interconnect (not recommended). Each clock input has a programmable counter divider (D). The phase-frequency detector (PFD) compares both phase and frequency of the rising edges of both the input (reference) clock and the feedback clock. If a minimum High/Low pulse is maintained, the duty cycle is ancillary. The PFD is used to generate a signal proportional to the phase and frequency between the two clocks. This signal drives the charge pump (CP) and loop filter (LF) to generate a

reference voltage to the VCO. The PFD produces an up or down signal to the charge pump and loop filter to determine whether the VCO should operate at a higher or lower frequency. When VCO operates at too high of a frequency, the PFD activates a down signal, causing the control voltage to be reduced decreasing the VCO operating frequency. When the VCO operates at too low of a frequency, an up signal will increase voltage. The VCO produces eight output phases and one variable phase for fine-phase shifting. Each output phase can be selected as the reference clock to the output counters (Figure 3-2 and Figure 3-3). Each counter can be independently programmed for a given customer design. A special counter, M, is also provided. This counter controls the feedback clock of the MMCM and PLL, allowing a wide range of frequency synthesis.

In addition to integer divide output counters, MMCMs add a fractional counter for CLKOUT0 and CLKFBOUT.

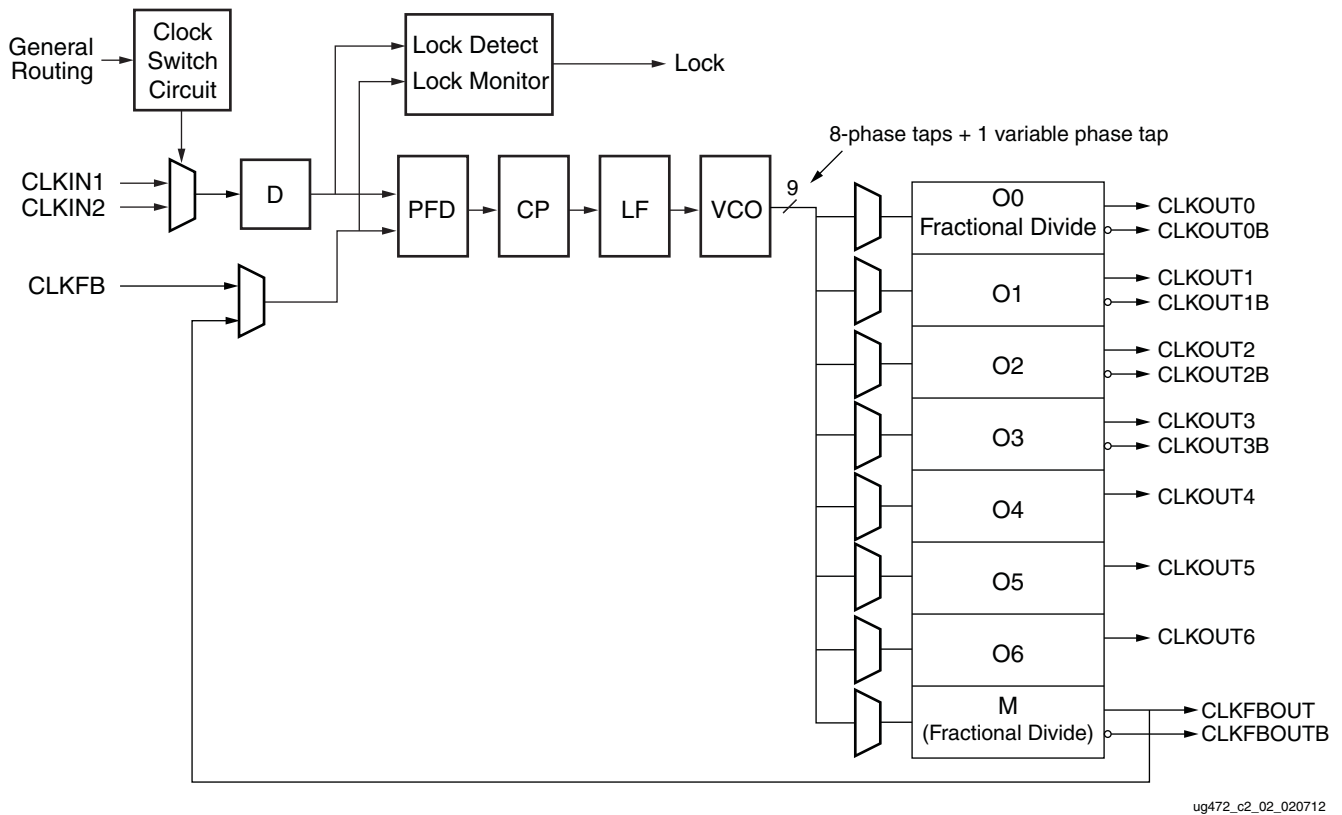
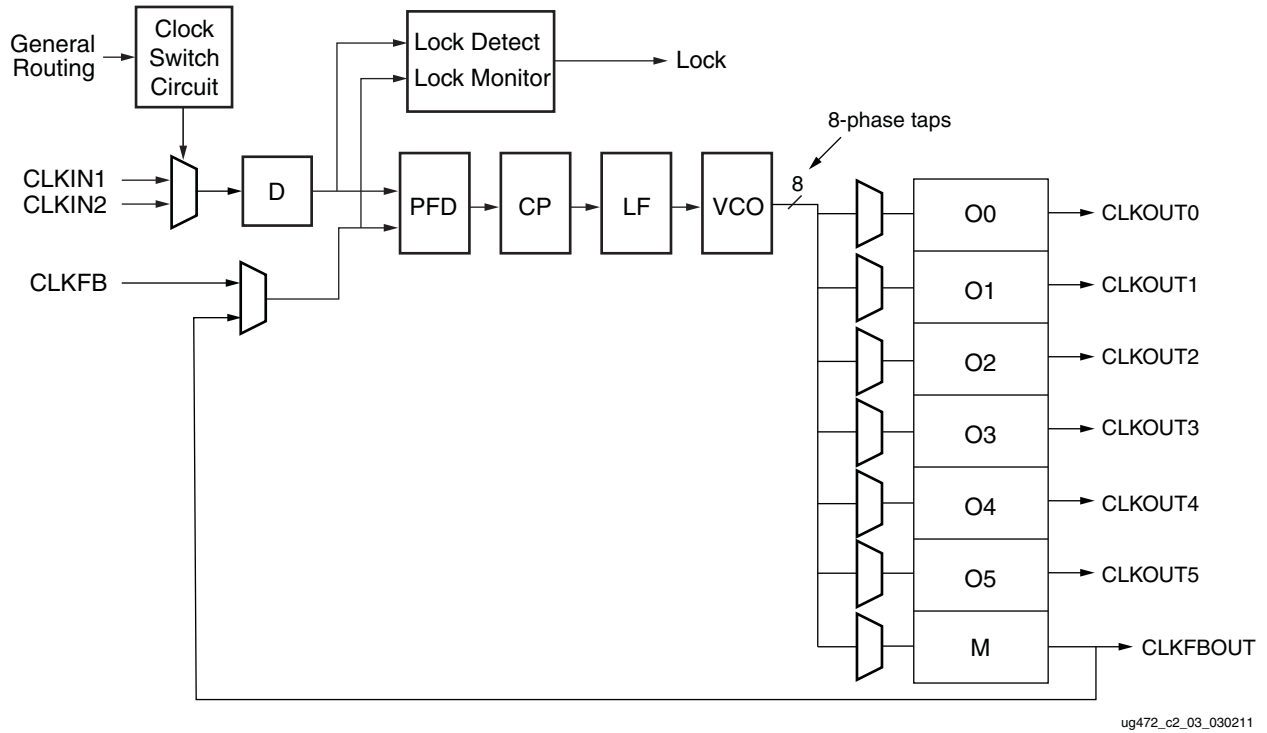


Figure 3-2: Detailed MMCM Block Diagram



ug472_c2_03_030211

Figure 3-3: Detailed PLL Block Diagram

General Usage Description

MMCM and PLL Primitives

The two 7 series FPGAs MMCM primitives, MMCME2_BASE and MMCME2_ADV, are shown in [Figure 3-4](#).

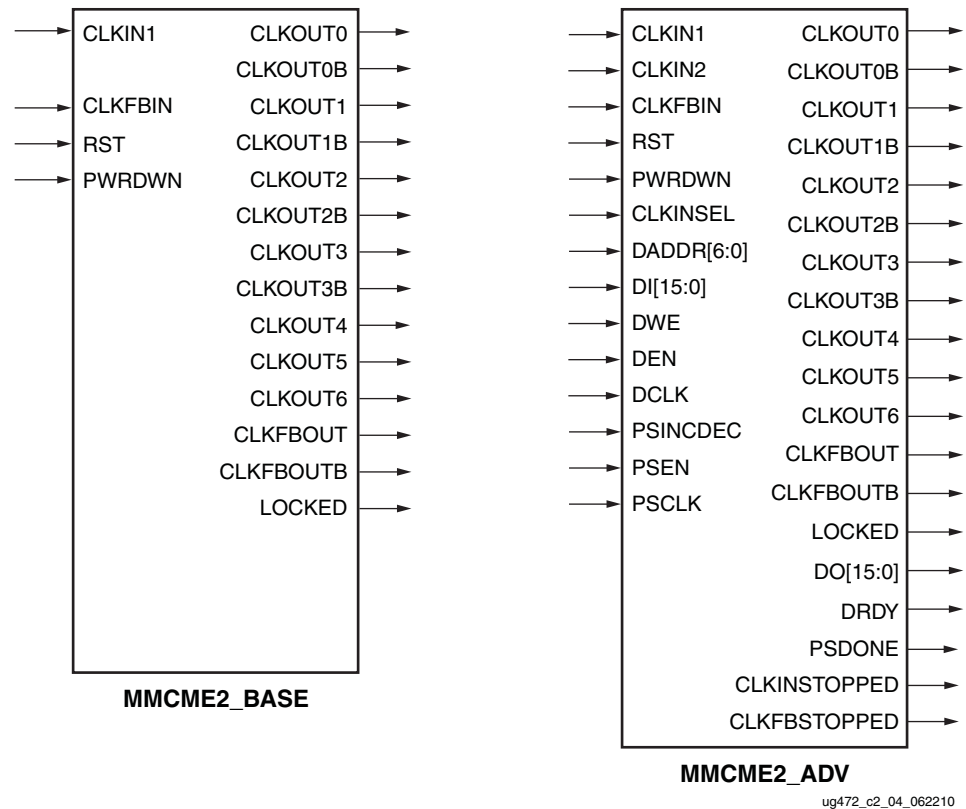


Figure 3-4: MMCM Primitives

The two 7 series FPGAs PLL primitives, PLLE2_BASE and PLLE2_ADV, are shown in Figure 3-5.

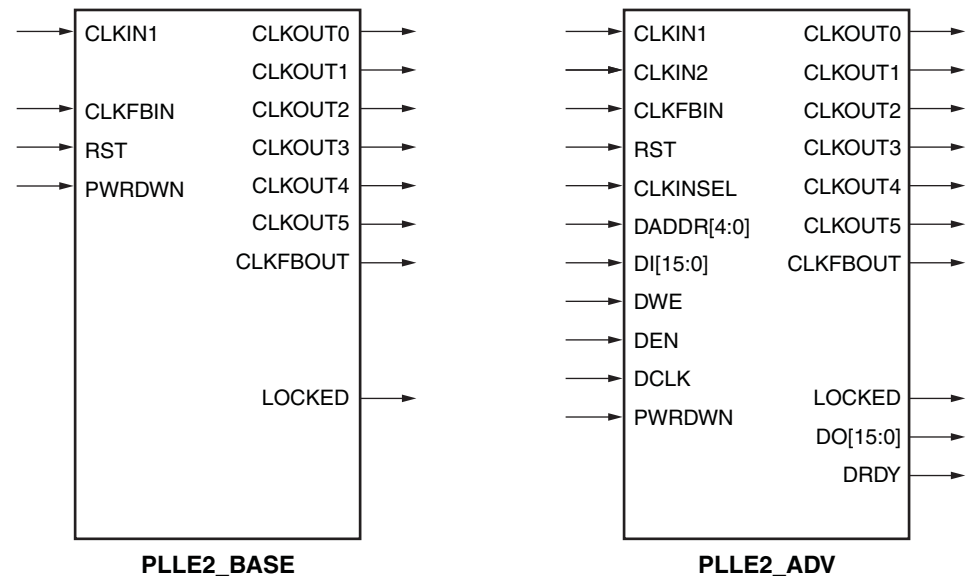


Figure 3-5: PLL Primitives

MMCME2_BASE and PLLE2_BASE Primitives

The MMCME2_BASE primitive provides access to the most frequently used features of a stand-alone MMCM. Clock deskew, frequency synthesis, coarse phase shifting, and duty cycle programming are available to use with the MMCME2_BASE. The ports are listed in Table 3-1.

Table 3-1: MMCME2_BASE Ports

Description	Ports
Clock Input	CLKIN1, CLKFBIN
Control Inputs	RST
Clock Output	CLKOUT0 to CLKOUT6, CLKOUT0B to CLKOUT3B, CLKFBOUT, and CLKFBOUTB
Status and Data Outputs	LOCKED
Power Control	PWRDWN

The PLLE2_BASE primitive provides access to the most frequently used features of a stand-alone PLL. Clock deskew, frequency synthesis, coarse phase shifting, and duty cycle programming are available to use with the PLLE2_BASE. The ports are listed in [Table 3-2](#).

Table 3-2: PLLE2_BASE Ports

Description	Port
Clock Input	CLKIN1, CLKFBIN
Control Inputs	RST
Clock Output	CLKOUT0 to CLKOUT5, CLKFBOUT
Status and Data Outputs	LOCKED

MMCME2_ADV and PLLE2_ADV Primitive

The MMCME2_ADV primitive provides access to all MMCME2_BASE features plus additional ports for clock switching, access to the [Dynamic Reconfiguration Port \(DRP\)](#), as well as dynamic fine-phase shifting. The ports are listed in [Table 3-3](#).

Table 3-3: MMCME2_ADV Ports

Description	Ports
Clock Input	CLKIN1, CLKIN2, CLKFBIN, DCLK, PSCLK
Control and Data Input	RST, CLKINSEL, DWE, DEN, DADDR, DI, PSINCDEC, PSEN
Clock Output	CLKOUT0 to CLKOUT6, CLKOUT0B to CLKOUT3B, CLKFBOUT, and CLKFBOUTB
Status and Data Output	LOCKED, DO, DRDY, PSDONE, CLKINSTOPPED, CLKFBSTOPPED
Power Control	PWRDWN

The PLLE2_ADV primitive provides access to all PLLE2_BASE features plus additional ports for clock switching, and access to the [Dynamic Reconfiguration Port](#). The ports are listed in [Table 3-4](#).

Table 3-4: PLLE2_ADV Ports

Description	Port
Clock Input	CLKIN1, CLKIN2, CLKFBIN, DCLK
Control and Data Input	RST, CLKINSEL, DWE, DEN, DADDR, DI
Clock Output	CLKOUT0 to CLKOUT5, and CLKFBOUT
Status and Data Output	LOCKED, DO, DRDY
Power Control	PWRDWN

The 7 series FPGAs MMCM and PLL are mixed-signal blocks designed to support clock network deskew, frequency synthesis, and jitter reduction. These three modes of operation are discussed in more detail within this section. The Voltage Controlled Oscillator (VCO) operating frequency can be determined by using the following relationship:

$$F_{VCO} = F_{CLKIN} \times \frac{M}{D} \quad \text{Equation 3-1}$$

$$F_{OUT} = F_{CLKIN} \times \frac{M}{D \times O} \quad \text{Equation 3-2}$$

where the M, D, and O counters are shown in [Figure 3-2](#). The value of M corresponds to the CLKFBOUT_MULT_F setting, the value of D to the DIVCLK_DIVIDE, and O to the CLKOUT_DIVIDE.

The seven “O” counters can be independently programmed. For example, O0 can be programmed to do a divide-by-two while O1 is programmed for a divide by three. The only constraint is that the VCO operating frequency must be the same for all the output counters since a single VCO drives all the counters.

Clock Network Deskew

In many cases, designers do not want to incur the delay on a clock network in their I/O timing budget therefore they use a MMCM/PLL to compensate for the clock network delay. 7 series FPGAs support this feature. A clock output matching the reference clock CLKIN frequency (always CLKFBOUT) is connected to a BUFG in the same half of the device and fed back to the CLKFBIN feedback pin of the MMCM/PLL. The remaining outputs can still be used to divide the clock down for additionally synthesized frequencies. In this case, all output clocks have a defined phase relationship to the input reference clock. The CLKOUT0–CLKOUT3 of either the MMCM or PLL can be used to cascade to other MMCMs/PLLs. However, there is a phase offset on the output clocks between cascaded MMCMs/PLLs.

Frequency Synthesis Only Using Integer Divide

The MMCMs and PLLs can also be used for stand-alone frequency synthesis. In this application, the MMCM/PLL is not used to deskew a clock network, but rather generate an output clock frequency for other blocks. In this mode, the MMCM/PLL feedback paths are internal, which keeps all the routing local, minimizing the jitter. [Figure 3-6](#) shows the MMCM configured as a frequency synthesizer. In this example, an external 33 MHz reference clock is available. The reference clock can be a crystal oscillator or the output of another MMCM. Setting the M counter to 32 makes the VCO oscillate at 1056 MHz (33 MHz x 32). The MMCM outputs are programmed to provide (for example) a 528 MHz processor clock, a 264 MHz gasket clock, a 176 MHz clock, a 132 MHz memory interface clock, a 66 MHz interface, and a 33 MHz interface. In this example, there are no required phase relationships between the reference clock and the output clocks, but there are required relationships between the output clocks.

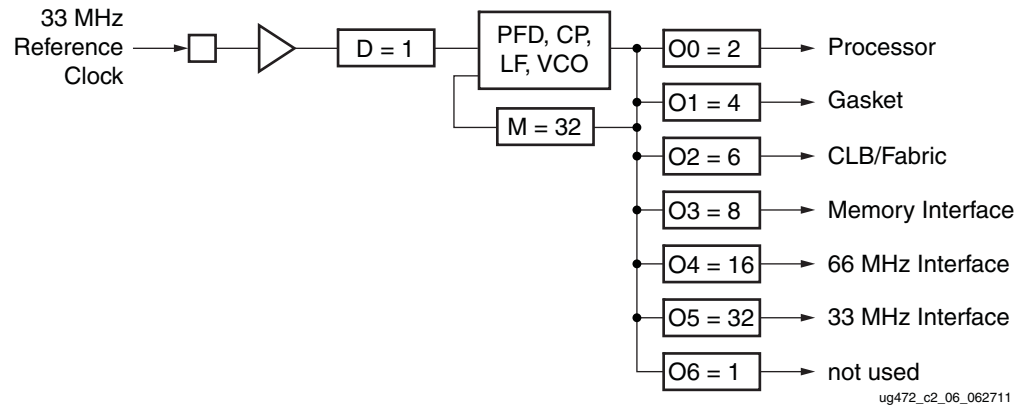


Figure 3-6: MMCM as a Frequency Synthesizer

Frequency Synthesis Using Fractional Divide in the MMCM

7 series FPGAs support fractional (non-integer) divides in the CLKOUT0 output path. The resolution of the fractional divider is $1/8$ or 0.125 , effectively increasing the number of synthesizable frequencies by a factor of eight. For example, if the CLKIN frequency is 100 MHz and the M divide value is set to 8, then the VCO frequency is 800 MHz. CLKOUT0 can be used to further fractionally divide the 800 MHz VCO frequency (for example, CLKOUT0_DIVIDE = 2.5 resulting in a 320 MHz output frequency).

When using the fractional divider, the duty cycle is not programmable for outputs used in the fractional mode.

Jitter Filter

MMCMs and PLLs reduce the jitter inherent on a reference clock. The MMCM and PLL can be instantiated as a standalone function to support filtering jitter from an external clock before it is driven into the another block. As a jitter filter, it is usually assumed that the MMCM and PLL will act as a buffer and regenerates the input frequency on the output (for example, $F_{IN} = 100$ MHz, $F_{OUT} = 100$ MHz). In general, greater jitter filtering is possible by using the MMCM attribute BANDWIDTH set to Low. Setting the BANDWIDTH to Low can incur an increase in the static offset of the MMCM.

Limitations

The MMCM and the PLL have some restrictions that must be adhered to. These are summarized in the MMCM and the PLL electrical specifications in the *7 Series FPGA Data Sheets* ([DS181](#), [DS182](#), and [DS183](#)). In general, the major limitations are VCO operation range, input frequency, duty cycle programmability, and phase shift. In addition, there are connectivity limitations to other clocking elements (pins, GTs, and clock buffers) as outlined in [Appendix B, Clocking Resources and Connectivity Variations per Clock Region](#). Cascading MMCMs/PLLs can only occur with adjacent CMTs.

VCO Operating Range

The minimum and maximum VCO operating frequencies are defined in the electrical specification of the *7 Series FPGA Data Sheets* ([DS181](#), [DS182](#), and [DS183](#)). These values can also be extracted from the speed specification.

Minimum and Maximum Input Frequency

The minimum and maximum CLKIN input frequency are defined in the electrical specification of the 7 Series FPGA Data Sheets ([DS181](#), [DS182](#), and [DS183](#)).

Duty Cycle Programmability

Only discrete duty cycles are possible given a VCO operating frequency. Depending on the CLKOUT_DIVIDE value, a minimum and maximum range is possible with a step size that is also depending on the CLKOUT_DIVIDE value. The Clocking Wizard tool gives the possible values for a given CLKOUT_DIVIDE.

Phase Shift

In many cases, there needs to be a phase shift between clocks. The MMCM has multiple options to implement phase shifting. The PLL also has the basic static phase shift capability. Static phase shifting can be achieved by selecting one of the eight VCO output phases with additional fine phase shifting available in the CLKOUT output counters depending on the CLKOUT divide value. In 7 series FPGAs there is also an interpolated phase shifting capability in either fixed or dynamic mode. The MMCM phase shifting capabilities are very powerful which can lead to complex scenarios. By using the Clocking Wizard, the allowable phase shift values are determined based on the MMCM configuration settings.

Static Phase Shift Mode

The static phase shift (SPS) resolution in time units is defined as:

$$SPS = \frac{1}{8F_{VCO}} \text{ period or } \frac{D}{8MF_{IN}} \text{ period} \quad \text{Equation 3-3}$$

Since the VCO can provide eight phase shifted clocks at 45° each; always providing possible settings for 0°, 45°, 90°, 135°, 180°, 225°, 270°, and 315° of phase shift. The higher the VCO frequency is, the smaller the phase-shift resolution. Since the VCO has a distinct operating range, it is possible to bound the phase-shift resolution using from

$$\frac{1}{8F_{VCOMIN}} \text{ to } \frac{1}{8F_{VCOMAX}} \text{ period.}$$

Each CLKOUT output counter is individually programmable allowing each to have an additional phase-shift resolution in degrees based on the phase of the VCO selected and the CLKOUT counter divide value. The granularity of the CLKOUT phase-shift value can be calculated as 45°/CLKOUT_DIVIDE value. The maximum phase-shift range is also determined by the CLKOUT_DIVIDE value. The maximum phase shift is 360° when CLKOUT_DIVIDE ≤ 64. When CLKOUT_DIVIDE is > 64, the maximum phase shift is:

$$\text{Maximum Phase Shift} = \left(\frac{63}{\text{CLKOUT_DIVIDE}} \times 360 \right) + (7 \times \text{Phase Shift Value}) \quad \text{Equation 3-4}$$

It is possible to phase shift the CLKFBOUT feedback clock. In that case all CLKOUT output clocks are negatively phase shifted with respect to CLKIN.

The two fractional counters (CLKFBOUT and CLKOUT0) also have static phase shift capability. A phase shift step is defined as:

$$SPS(\text{frac}) = \frac{360}{8 \times \text{fractional_divide_value}} \text{ or } \frac{45}{\text{fractional_divide_value}} \quad \text{Equation 3-5}$$

For example, if the fractional divide value is 2.125, then a static phase shift step is 360/(2.125 × 8) = 21.176 degrees.

Interpolated Fine Phase Shift in Fixed or Dynamic Mode in the MMCM

Interpolated fine phase shift (IFPS) mode in the MMCM has linear shift behavior independent of the CLKOUT_DIVIDE value and the phase shift resolution only depends on the VCO frequency. In this mode the output clocks can be rotated 360° round robin in linear increments of $\frac{1}{56F_{VCO}}$.

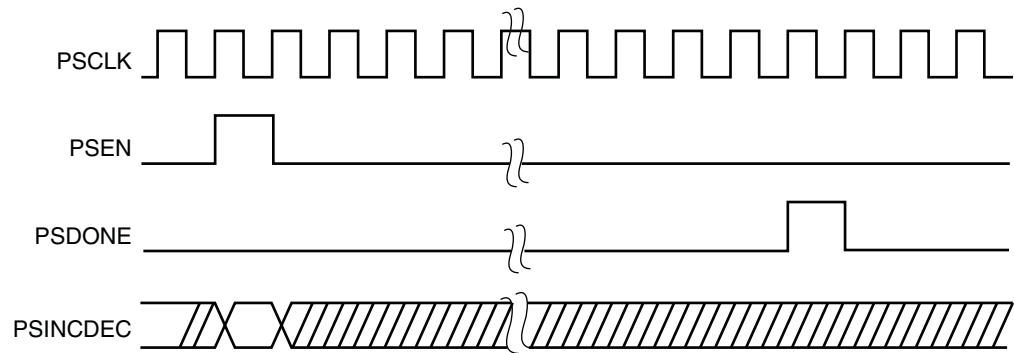
If the VCO runs at 600 MHz, then the phase resolution is approximately (rounded) 30 ps and at 1.6 GHz is approximately (rounded) 11 ps.

The phase shift value can be programmed as a fixed value set during configuration or a dynamic increment/decrement under application control after configuration. The dynamic phase shift is controlled by the PS interface of the MMCME2_ADV. This phase-shift mode equally affects all CLKOUT output clocks that are selected for this mode by setting the USE_FINE_PS attribute to TRUE. In interpolated fine phase-shift mode, a clock must always be connected to the PSCLK pin of the MMCM. Regardless of the interpolated fine phase-shift mode (fixed or dynamic) a clock is in, the clock must always be connected to the PSCLK pin of the MMCM. Each individual CLKOUT counter can independently either select the interpolated phase shift, the previously described static phase-shift mode, or none. Fractional divide is not allowed in either fixed or dynamic interpolated fine phase-shift mode. Fixed or dynamic phase shifting of the feedback path will result in a negative phase shift of all output clocks with respect to CLKIN. The dynamic phase-shift interface cannot be used when the phase-shift mode is set to fixed.

Dynamic Phase Shift Interface in the MMCM

The MMCME2_ADV primitive provides three inputs and one output for dynamic fine-phase shifting. Each CLKOUT and the CLKFBOUT divider can be individually selected for phase shifting. The attributes CLKOUT[0:6]_USE_FINE_PS and CLKFBOUT_USE_FINE_PS select the output clocks to be dynamically phase shifted. The dynamic phase-shift amount is common to all the output clocks selected.

The variable phase shift is controlled by the PSEN, PSINCDEC, PSCLK, and PSDONE ports (Figure 3-7). After the MMCM locks, the initial phase is determined by the CLKOUT_PHASE attribute. Most commonly, no initial phase shift is selected. The phase of the MMCM output clock(s) increments/decrements according to the interaction of PSEN, PSINCDEC, PSCLK, and PSDONE from the initial or previously performed dynamic phase shift. PSEN, PSINCDEC, and PSDONE are synchronous to PSCLK. When PSEN is asserted for one PSCLK clock period, a phase-shift increment/decrement is initiated. When PSINCDEC is High, an increment is initiated and when PSINCDEC is Low, a decrement is initiated. Each increment adds to the phase shift of the MMCM clock outputs by 1/56th of the VCO period. Similarly, each decrement decreases the phase shift by 1/56th of the VCO period. PSEN must be active for one PSCLK period. PSDONE is High for exactly one clock period when the phase shift is complete. The number of PSCLK cycles is deterministic and is always 12 PSCLK cycles. After initiating the phase shift by asserting PSEN, the MMCM output clocks move from their original phase shift to an increment/decrement phase shift. The completion of the increment or decrement is signaled when PSDONE asserts High. After PSDONE has pulsed High, another increment/decrement can be initiated. There is no maximum phase shift or phase-shift overflow. An entire clock period (360 degrees) can always be phase shifted regardless of frequency. When the end of the period is reached, the phase shift wraps around round-robin style.



ug472_c2_07_061710

Figure 3-7: Phase-Shift Timing Diagram

MMCM Counter Cascading

The CLKOUT6 divider (counter) can be cascaded with the CLKOUT4 divider. This provides a capability to have an output divider that is larger than 128. CLKOUT6 feeds the input of the CLKOUT4 divider. There is a static phase offset between the output of the cascaded divider and all other output dividers.

MMCM/PLL Programming

Programming of the MMCM/PLL must follow a set flow to ensure configuration that guarantees stability and performance. This section describes how to program the MMCM/PLL based on certain design requirements. A design can be implemented in two ways, directly through the GUI interface (the Clocking Wizard) or implementing the MMCM/PLL through instantiation. Regardless of the method selected, the following information is necessary to program the MMCM/PLL:

- Reference clock period
- Output clock frequencies (up to seven maximum)
- Output clock duty cycle (default is 50%)
- Output clock phase shift in number of degrees relative to the original 0 phase of the clock.
- Desired bandwidth of the MMCM/PLL (default is OPTIMIZED and the bandwidth is chosen in software)
- Compensation mode (automatically determined by the software)
- Reference clock jitter in UI (that is, a percentage of the reference clock period)

Determine the Input Frequency

The first step is to determine the input frequency. This allows all possible output frequencies to be determined by using the minimum and maximum input frequencies to define the D counter range, the VCO operating range to determine the M counter range, and the output counter range. There can be a very large number of frequencies. When using integer divides, in the worst case, there will be $106 \times 64 \times 136 = 868,363$ possible combinations. In reality, the total number of different frequencies is less since the entire range of the M and D counters cannot be realized and there is overlap between the various settings.

As an example, consider $F_{IN} = 100$ MHz. If the minimum PFD frequency is 10 MHz, then D can only go from 1 to 10.

- D = 1, M can only have values from four to 16.
- D = 2, M can only have values from eight to 32.
- D = 4, M can only have values from 16 to 64.

In addition, D = 1 M = 4 is a subset of D = 2 M = 8, D = 4 M = 16, and D = 8 M = 32 allowing these cases to be dropped. For this case, only D = 1, 3, 5, 6, 7, and 9 are considered since all other D values are subsets of these cases. This drastically reduces the number of possible output frequencies. The output frequencies are sequentially selected. The desired output frequency should be checked against the possible output frequencies generated. Once the first output frequency is determined, an additional constraint can be imposed on the values of M and D. This can further limit the possible output frequencies for the second output frequency. Continue this process until all the output frequencies are selected.

The constraints used to determine the allowed M and D values are shown in the following equations:

$$D_{MIN} = \text{roundup} \frac{f_{IN}}{f_{PFD MAX}} \quad \text{Equation 3-6}$$

$$D_{MAX} = \text{rounddown} \frac{f_{IN}}{f_{PFD MIN}} \quad \text{Equation 3-7}$$

$$M_{MIN} = \text{roundup} \left(\frac{f_{VCOMIN}}{f_{IN}} \times D_{MIN} \right) \quad \text{Equation 3-8}$$

$$M_{MAX} = \text{rounddown} \left(\frac{f_{VCOMAX}}{f_{IN}} \times D_{MAX} \right) \quad \text{Equation 3-9}$$

Determine the M and D Values

Determining the input frequency can result in several possible M and D values. The next step is to determine the optimum M and D values. The starting M value is first determined. This is based off the VCO target frequency, the ideal operating frequency of the VCO.

$$M_{IDEAL} = \frac{D_{MIN} \times f_{VCOMAX}}{f_{IN}} \quad \text{Equation 3-10}$$

The goal is to find the M value closest to the ideal operating point of the VCO. The minimum D value is used to start the process. The goal is to make D and M values as small as possible while keeping f_{VCO} as high as possible.

MMCM Ports

Table 3-5 summarizes the MMCM ports. Table 3-7 lists the MMCM attributes.

Table 3-5: MMCM Ports⁽¹⁾

Pin Name	I/O	Pin Description
CLKIN1	Input	General clock input. See CLKIN1 – Primary Reference Clock Input .
CLKIN2	Input	Secondary clock input for the MMCM reference clock. See CLKIN2 – Secondary Clock Input .
CLKFBIN	Input	Feedback clock input. See CLKFBIN – Feedback Clock Input .
CLKINSEL	Input	Signal controls the state of the clock input MUX, High = CLKIN1, Low = CLKIN2. Dynamically switches the MMCM reference clock. See CLKINSEL – Clock Input Select .
RST	Input	Asynchronous reset signal. The RST signal is an asynchronous reset for the MMCM. The MMCM will synchronously re-enable itself when this signal is released (that is, MMCM re-enabled). A reset is required when the input clock conditions change (for example, frequency). See RST – Asynchronous Reset Signal .
PWRDWN	Input	Powers down instantiated but unused MMCMs. See PWRDWN – Power Down .
DADDR[6:0]	Input	The dynamic reconfiguration address (DADDR) input bus provides a reconfiguration address for the dynamic reconfiguration. When not used, all bits must be assigned zeros. See DADDR[6:0] – Dynamic Reconfiguration Address .
DI[15:0]	Input	The dynamic reconfiguration data input (DI) bus provides reconfiguration data. When not used, all bits must be set to zero. See DI[15:0] – Dynamic Reconfiguration Data Input .
DWE	Input	The dynamic reconfiguration write enable (DWE) input pin provides the write enable control signal to write the DI data into the DADDR address. When not used, it must be tied Low. See DWE – Dynamic Reconfiguration Write Enable .
DEN	Input	The dynamic reconfiguration enable (DEN) provides the enable control signal to access the dynamic reconfiguration feature. When the dynamic reconfiguration feature is not used, DEN must be tied Low. See DEN – Dynamic Reconfiguration Enable Strobe .
DCLK	Input	The DCLK signal is the reference clock for the dynamic reconfiguration port. See DCLK – Dynamic Reconfiguration Reference Clock .
PSCLK	Input	Phase shift clock. See PSCLK – Phase-Shift Clock .
PSEN	Input	Phase shift enable. See PSEN – Phase-Shift Enable .
PSINCDEC	Input	Phase shift increment/decrement control. See PSINCDEC – Phase-Shift Increment/Decrement Control .
CLKOUT[0:6]	Output	User configurable clock outputs (0 through 6) that can be divided versions of the VCO phase outputs (user controllable) from 1 (bypassed) to 128. The output clocks are phase aligned to each other (unless phase shifted) and aligned to the input clock with a proper feedback configuration. Direct HPC connections to BUFR/BUFIO are only supported on CLKOUT[0:3]. See CLKOUT[0:6] – Output Clocks .
CLKOUT[0:3]B	Output	Inverted CLKOUT[0:3]. See CLKOUT[0:3]B – Inverted Output Clocks .

Table 3-5: MMCM Ports⁽¹⁾ (Cont'd)

Pin Name	I/O	Pin Description
CLKFBOUT	Output	Dedicated MMCM feedback output. See CLKFBOUT – Dedicated MMCM and PLL Feedback Output .
CLKFBOUTB	Output	Inverted CLKFBOUT. See CLKFBOUTB – Inverted CLKFBOUT .
CLKINSTOPPED	Output	Status pin indicating that the input clock has stopped. See CLKINSTOPPED – Input Clock Status .
CLKFBSTOPPED	Output	Status pin indicating that the feedback clock has stopped. See CLKFBSTOPPED – Feedback Clock Status .
LOCKED	Output	An output from the MMCM that indicates when the MMCM has achieved phase alignment within a predefined window and frequency matching within a predefined PPM range. The MMCM automatically locks after power on. No extra reset is required. LOCKED will be deasserted if the input clock stops or the phase alignment is violated (for example, input clock phase shift). The MMCM must be reset after LOCKED is deasserted.
DO[15:0]	Output	The dynamic reconfiguration output bus provides MMCM data output when using dynamic reconfiguration. See DO[15:0] – Dynamic Reconfiguration Output Bus .
DRDY	Output	The dynamic reconfiguration ready output (DRDY) provides the response to the DEN signal for the MMCMs dynamic reconfiguration feature. See DRDY – Dynamic Reconfiguration Ready .
PSDONE	Output	Phase shift done. See PSDONE – Phase Shift Done .

Notes:

1. All control and status signals except PSINCDEC are active-High.

PLL Ports

Table 3-6 summarizes the PLL ports.

Table 3-6: PLL Ports

Pin Name	I/O	Pin Description
CLKIN1	Input	General clock input.
CLKIN2	Input	Secondary clock input to dynamically switch the PLL reference clock.
CLKFBIN	Input	Feedback clock input.
CLKINSEL	Input	Signal controls the state of the input multiplexer, High = CLKIN1, Low = CLKIN2. Dynamically switches the PLL reference clock. See CLKINSEL – Clock Input Select .
RST	Input	Asynchronous reset signal. The RST signal is an asynchronous reset for the PLL. The PLL will synchronously re-enable itself when this signal is released (that is, PLL re-enabled). A reset is required when the input clock conditions change (for example, frequency).
PWRDWN	Input	Powers down instantiated but unused PLL. See PWRDWN – Power Down .
DADDR[6:0]	Input	The dynamic reconfiguration address (DADDR) input bus provides a reconfiguration address for the dynamic reconfiguration. When not used, all bits must be assigned zeros.

Table 3-6: PLL Ports (Cont'd)

Pin Name	I/O	Pin Description
DI[15:0]	Input	The dynamic reconfiguration data input (DI) bus provides reconfiguration data. When not used, all bits must be set to zero.
DWE	Input	The dynamic reconfiguration write enable (DWE) input pin provides the write enable control signal to write the DI data into the DADDR address. When not used, it must be tied Low.
DEN	Input	The dynamic reconfiguration enable (DEN) provides the enable control signal to access the dynamic reconfiguration feature. When the dynamic reconfiguration feature is not used, DEN must be tied Low.
DCLK	Input	The DCLK signal is the reference clock for the dynamic reconfiguration port.
CLKOUT[0:5] ⁽¹⁾	Output	User configurable clock outputs (0 through 5) that can be divided versions of the VCO phase outputs (user controllable) from 1 (bypassed) to 128. The input clock and output clocks are phase aligned.
CLKFBOUT	Output	Dedicated PLL feedback output.
LOCKED	Output	An output from the PLL that indicates when the PLL has achieved phase alignment within a predefined window and frequency matching within a predefined PPM range. The PLL automatically locks after power on, no extra reset is required. LOCKED will be deasserted if the input clock stops or the phase alignment is violated (for example, input clock phase shift). The PLL must be reset after LOCKED is deasserted.
DO[15:0]	Output	The dynamic reconfiguration output bus provides PLL data output when using dynamic reconfiguration.
DRDY	Output	The dynamic reconfiguration ready output (DRDY) provides the response to the DEN signal for the PLLs dynamic reconfiguration feature.

MMCM and PLL Port Descriptions

CLKIN1 – Primary Reference Clock Input

CLKIN1 can be driven by SRCC or MRCC I/O directly within the same clock region, SRCC or MRCC I/O through the CMT backbone in a vertically adjacent clock region, BUFG, BUFR, BUFH, interconnect (not recommended), or directly by a high-speed serial transceiver. When the clock input is coming from another CMT block for cascading CMT functions, only CLKOUT[0:3] can be used.

CLKIN2 – Secondary Clock Input

CLKIN2 is a secondary clock input that is used to dynamically switch the MMCM/PLL reference clock. CLKIN2 can be driven by SRCC or MRCC I/O directly within the same clock region, SRCC or MRCC I/O through the CMT backbone in a vertically adjacent clock region, BUFG, BUFR, BUFH, interconnect (not recommended), or directly by a high-speed serial transceiver.

CLKFBIN – Feedback Clock Input

Must be connected either directly to the CLKFBOUT for internal feedback or IBUFG (through a clock-capable pin for external deskew), BUFG, BUFH, or interconnect (not recommended). For external clock alignment, the feedback path clock buffer type should

match the forward clock buffer type with the exception of BUFR. BUFR cannot be compensated for.

CLKFBOUT – Dedicated MMCM and PLL Feedback Output

For possible configuration see [MMCM and PLL Use Models](#). CLKFBOUT can also drive logic similar to the CLK0 of the DCM in Virtex-5 FPGAs.

CLKFBOUTB – Inverted CLKFBOUT

This signal should not be used for feedback. It provides an additional, inverted CLKFBOUT output clock. CLKFBOUTB can drive logic similar to the CLK180 clock of the DCM in Virtex-5 FPGAs. Not available in the PLL.

CLKINSEL – Clock Input Select

The CLKINSEL signal controls the state of the clock input MUXes, High = CLKIN1, Low = CLKIN2 (see [Reference Clock Switching](#)). The MMCM/PLL must be held in RESET during clock switchover.

RST – Asynchronous Reset Signal

The RST signal is an asynchronous reset for the MMCM/PLL. The MMCM/PLL will be synchronously re-enabled when this signal is deasserted.

PWRDWN – Power Down

Powers down instantiated but currently unused MMCMs/PLLs. This mode can be used to save power for temporarily inactive portions of the design and/or MMCMs/PLLs that are not active in certain system configurations. No MMCM/PLL power is consumed in this mode.

DADDR[6:0] – Dynamic Reconfiguration Address

The dynamic reconfiguration address (DADDR) input bus provides a reconfiguration address for the dynamic reconfiguration. The address value on this bus specifies the 16 configuration bits that are written or read with the next DCLK cycle. When not used, all bits must be assigned zeros.

DI[15:0] – Dynamic Reconfiguration Data Input

The dynamic reconfiguration data input (DI) bus provides reconfiguration data. The value of this bus is written to the configuration cells. The data is presented in the cycle that DEN and DWE are active. The data is captured in a shadow register and written at a later time. DRDY indicates when the DRP port is ready to accept another write. When not used, all bits must be set to zero.

DWE – Dynamic Reconfiguration Write Enable

The dynamic reconfiguration write enable (DWE) input pin provides the write/read enable control signal to write the DI data into or read the DO data from the DADDR address. When not used, it must be tied Low.

DEN – Dynamic Reconfiguration Enable Strobe

The dynamic reconfiguration enable strobe (DEN) provides the enable control signal to access the dynamic reconfiguration feature and enables all DRP port operations. When the dynamic reconfiguration feature is not used, DEN must be tied Low.

DCLK – Dynamic Reconfiguration Reference Clock

The DCLK signal is the reference clock for the dynamic reconfiguration port. The rising edge of this signal is the timing reference for all other port signals. The setup time is specified in the data sheet. There is no hold time requirement for the other input signals relative to the rising edge of the DCLK. The pin can be drive by an IBUF, IBUFG, BUFG, BUFR, or BUFH. There are no dedicated connections to this clock input.

PSCLK – Phase-Shift Clock

This input pin provides the source clock for the dynamic phase-shift interface. All other inputs are synchronous to the positive edge of this clock. The pin can be drive by an IBUF, IBUFG, BUFG, BUFR, or BUFH. There are no dedicated connections to this clock input. Not available in the PLL.

PSEN – Phase-Shift Enable

A dynamic (variable) phase-shift operation is initiated by synchronously asserting this signal. It must be activated for one cycle of the PSCLK. After initiating a phase-shift the phase is gradually shifted until a High pulse on PSDONE indicates that the operation is complete. There are no glitches or sporadic changes during the operation. From the start to the end of the operation the phase is shifted in a continuous analog manner. Not available in the PLL.

PSINCDEC – Phase-Shift Increment/Decrement Control

This input signal synchronously indicates if the dynamic phase shift is an increment or decrement operation (positive or negative phase-shift). PSENCDEC is asserted High for increment and Low for decrement. There is no phase-shift overflow associated with the dynamic phase shift operation. If more 360° or more are shifted, then the phase will wrap around starting at the original phase. Not available in the PLL.

CLKOUT[0:6] – Output Clocks

These user-configurable clock outputs (CLKOUT0 through CLKOUT6 for the MMCM or CLKOUT0 through CLKOUT5 for the PLL) can be divided versions of the VCO phase outputs (user controllable) from 1 (bypassed) to 128. The input clock and output clocks can be phase aligned.

When used with BUFR or BUFIO, only the MMCM can directly connect to the HPC from the clock outputs CLKOUT0 through CLKOUT3. Additionally, CLKOUT0 through CLKOUT3 can connect to the CMT backbone, for cascading MMCMs and PLLs. Similar to driving MMCMs and PLLs from the CCIO pins to adjacent regions (see [Clock-Capable Inputs](#)), cascading uses some of the limited resources available in the CMT backbone to connect clocking resources directly in adjacent regions. A phase offset between the cascaded elements within the same column will also result.

For possible configurations see [MMCM and PLL Use Models](#). In the MMCM, CLKOUT0 and CLKFBOUT can be used in fractional divide mode. All CLKOUT outputs can be used in non-fractional mode to provide a static or dynamic phase shift. In fractional mode, only fixed phase-shift is allowed. See [Static Phase Shift Mode](#) for more information.

CLKOUT[0:3]B – Inverted Output Clocks

Inverted (180° phase shift) of CLKOUT[0:3]. Not available in the PLL.

CLKINSTOPPED – Input Clock Status

Status pin indicating that the input clock has stopped. This signal is asserted within one clock cycle of clock stoppage. The signal is deasserted after the clock has restarted and LOCKED is achieved or the clock is switched to the alternate clock input and the MMCM has re-locked. Not available in the PLL.

CLKFBSTOPPED – Feedback Clock Status

Status pin indicating that the feedback clock has stopped. This signal is asserted within one clock cycle of clock stoppage. The signal is deasserted after the feedback clock has restarted and the MMCM has re-locked. Not available in the PLL.

LOCKED

An output from the MMCM/PLL used to indicate when the MMCM/PLL have achieved phase and frequency alignment of the reference clock and the feedback clock at the input pins. Phase alignment is within a predefined window and frequency matching within a predefined PPM range. The MMCM automatically locks after power on, no extra reset is required. LOCKED will be deasserted within one PFD clock cycle if the input clock stops, the phase alignment is violated (for example, input clock phase shift) or the frequency has changed. The MMCM/PLL must be reset when LOCKED is deasserted. The clock outputs should not be used prior to the assertion of LOCKED.

DO[15:0] – Dynamic Reconfiguration Output Bus

The dynamic reconfiguration output bus provides MMCM data output when using dynamic reconfiguration. If DWE is inactive while DEN is active at the rising edge of DCLK, then this bus holds the content of the configuration cells addressed by DADDR. The DO bus must be captured on the rising edge of DCLK when DRDY is active. The DO bus value is held until the next DRP operation.

DRDY – Dynamic Reconfiguration Ready

The dynamic reconfiguration ready output (DRDY) provides the response to the DEN signal for the MMCMs dynamic reconfiguration feature. This signal indicates that a DEN/DCLK operation has completed.

PSDONE – Phase Shift Done

The phase-shift done output signal is synchronous to the PSCLK. When the current phase-shift operation is completed, the PSDONE signal is asserted for one clock cycle indicating that a new phase-shift cycle can be initiated. Not available in the PLL.

MMCM Attributes

Table 3-7 lists the attributes for the MMCME2_BASE and MMCME2_ADV primitives.

Table 3-7: MMCM Attributes

Attribute	Type	Allowed Values	Default	Description
BANDWIDTH	String	HIGH LOW OPTIMIZED	OPTIMIZED	Specifies the MMCM programming algorithm affecting the jitter, phase margin and other characteristics of the MMCM.

Table 3-7: MMCM Attributes (Cont'd)

Attribute	Type	Allowed Values	Default	Description
CLKOUT[1:6]_DIVIDE	Integer	1 to 128	1	Specifies the amount to divide the associated CLKOUT clock output if a different frequency is desired. This number in combination with the CLKFBOUT_MULT_F and DIVCLK_DIVIDE values will determine the output frequency.
CLKOUT[0]_DIVIDE_F ⁽²⁾	Integer or Real	1 to 128 or 2.000 to 128.000 in increments of 0.125	1	
CLKOUT[0:6]_PHASE	Real	-360.000 to 360.000 in increments of 1/56 the F _{VCO} and/or increments depending on CLKOUT_DIVIDE.	0.0	Allows specification of the output phase relationship of the associated CLKOUT clock output in number of degrees offset (that is, 90 indicates a 90° or ¼ cycle offset phase offset while 180 indicates a 180° offset or ½ cycle phase offset).
CLKOUT[0:6]_DUTY_CYCLE	Real	0.01 to 0.99	0.50	Specifies the Duty Cycle of the associated CLKOUT clock output in percentage (that is, 0.50 will generate a 50% duty cycle).
CLKFBOUT_MULT_F ⁽²⁾	Integer or Real	2 to 64 or 2.000 to 64.000 in increments of 0.125	5	Specifies the amount to multiply all CLKOUT clock outputs if a different frequency is desired. This number, in combination with the associated CLKOUT#_DIVIDE value and DIVCLK_DIVIDE value, will determine the output frequency.
DIVCLK_DIVIDE	Integer	1 to 106	1	Specifies the division ratio for all output clocks with respect to the input clock. Effectively divides the CLKIN going into the PFD.
CLKFBOUT_PHASE	Real	0.00 to 360.00	0.0	Specifies the phase offset in degrees of the clock feedback output. Shifting the feedback clock results in a negative phase shift of all output clocks to the MMCM.
REF_JITTER1 REF_JITTER2	Real	0.000 to 0.999	0.010	This attribute is for simulation purposes only. Simulation checks against the maximum allowed value. If known, then the value provided should be specified in terms of the unit interval (UI) (the maximum peak to peak value) of the expected jitter on the input clock.

Table 3-7: MMCM Attributes (Cont'd)

Attribute	Type	Allowed Values	Default	Description
CLKIN1_PERIOD	Real	0.938 to 100.000	0.000	Specifies the input period in ns to the MMCM CLKIN1 input. Resolution is down to the ps. This information is mandatory and must be supplied.
CLKIN2_PERIOD	Real	0.938 to 100.000	0.000	Specifies the input period in ns to the MMCM CLKIN2 input. Resolution is down to the ps. This information is mandatory and must be supplied.
CLKFBOUT_USE_FINE_PS	Boolean	FALSE, TRUE	FALSE	CLKFBOUT counter variable fine phase shift enable.
CLKOUT0_USE_FINE_PS	Boolean	FALSE, TRUE	FALSE	CLKOUT0 counter variable fine phase shift enable. CLKOUT0_DIVIDE must be an integer and therefore fractional divide is not allowed.
CLKOUT[1:6]_USE_FINE_PS	Boolean	FALSE, TRUE	FALSE	CLKOUT[1:6] variable fine phase shift enable.
STARTUP_WAIT	Boolean	FALSE, TRUE	FALSE	Wait during the configuration start-up cycle for the MMCM to lock.
CLKOUT4_CASCADE	Boolean	FALSE, TRUE	FALSE	Cascades the output divider (counter) CLKOUT6 into the input of the CLKOUT4 divider for an output clock divider that is greater than 128, effectively providing a total divide value of 16,384.

Table 3-7: MMCM Attributes (Cont'd)

Attribute	Type	Allowed Values	Default	Description
COMPENSATION	String	ZHOLD ⁽¹⁾ , EXTERNAL, INTERNAL, BUF_IN	ZHOLD	<p>Clock input compensation. Must be set to ZHOLD. Defines how the MMCM feedback is configured.</p> <p>ZHOLD: Indicates the MMCM is configured to provide a negative hold time at the I/O registers.</p> <p>EXTERNAL: Indicates a network external to the FPGA is being compensated.</p> <p>INTERNAL: Indicates the MMCM is using its own internal feedback path so no delay is being compensated.</p> <p>BUF_IN: Indicates that the configuration does not match with the other compensation modes and no delay will be compensated. This is the case if a clock input is driven by a BUFG/BUFH/BUFR or GTX/GTH/GTP.</p>
SS_EN	Boolean	FALSE, TRUE	FALSE	Enables spread spectrum generation.
SS_MODE	String	DOWN_LOW, DOWN_HIGH, CENTER_LOW, CENTER_HIGH	CENTER_HIGH	Controls the spread spectrum frequency deviation and the spread type.
SS_MOD_PERIOD	Integer	4000–40000	10000	Specifies the spread spectrum modulation period (ns).

Notes:

1. The COMPENSATION attribute values are documented for informational purpose only. The ISE or Vivado design tools automatically select the appropriate compensation based on circuit topology. Do not manually select a compensation value, leave the attribute at the default value.
2. The ISE or Vivado design tools will round up or down to the nearest multiple of 0.125 if the value is not specified as an exact 1/8th fraction.

PLL Attributes

Table 3-8 lists the attributes for the PLLE2_BASE and PLLE2_ADV primitives.

Table 3-8: PLL Attributes

Attribute	Type	Allowed Values	Default	Description
COMPENSATION	String	ZHOLD ⁽¹⁾ , EXTERNAL, INTERNAL, BUF_IN	ZHOLD	<p>Clock input compensation. Must be set to ZHOLD. Defines how the PLL feedback is configured.</p> <p>ZHOLD: Indicates the PLL is configured to provide a negative hold time at the I/O registers.</p> <p>EXTERNAL: Indicates a network external to the FPGA is being compensated.</p> <p>INTERNAL: Indicates the MMCM is using its own internal feedback path so no delay is being compensated.</p> <p>BUF_IN: Indicates that the configuration does not match with the other compensation modes and no delay will be compensated. This is the case if a clock input is driven by a BUFG/BUFH/BUFR or GTX/GTH/GTP.</p>
BANDWIDTH	String	HIGH LOW OPTIMIZED	OPTIMIZED	Specifies the PLL programming algorithm affecting the jitter, phase margin and other characteristics of the PLL.
CLKOUT[0:5]_DIVIDE	Integer	1 to 128	1	Specifies the amount to divide the associated CLKOUT clock output if a different frequency is desired. This number in combination with the CLKFBOUT_MULT and DIVCLK_DIVIDE values will determine the output frequency.
CLKOUT[0:5]_PHASE	Real	-360.0 to 360.0	0.0	Allows specification of the output phase relationship of the associated CLKOUT clock output in number of degrees offset (that is, 90 indicates a 90° or ¼ cycle offset phase offset while 180 indicates a 180° offset or ½ cycle phase offset).
CLKOUT[0:5]_DUTY_CYCLE	Real	0.01 to 0.99	0.50	Specifies the Duty Cycle of the associated CLKOUT clock output in percentage (that is, 0.50 will generate a 50% duty cycle).

Table 3-8: PLL Attributes (Cont'd)

Attribute	Type	Allowed Values	Default	Description
CLKFBOUT_MULT	Integer	2 to 64	5	Specifies the amount to multiply all CLKOUT clock outputs if a different frequency is desired. This number, in combination with the associated CLKOUT#_DIVIDE value and DIVCLK_DIVIDE value, will determine the output frequency.
DIVCLK_DIVIDE	Integer	1 to 56	1	Specifies the division ratio for all output clocks with respect to the input clock.
CLKFBOUT_PHASE	Real	0.0 to 360.0	0.0	Specifies the phase offset in degrees of the clock feedback output. Shifting the feedback clock results in a negative phase shift of all output clocks to the PLL.
REF_JITTER1 REF_JITTER2	Real	0.000 to 0.999	0.010	This attribute is for simulation purposes only. Simulation checks against the maximum allowed value. If known, then the value provided should be specified in terms of the unit interval (UI) (the maximum peak to peak value) of the expected jitter on the input clock.
CLKIN1_PERIOD	Real	0.938 to 52.631	0.000	Specifies the input period in ns to the PLL CLKIN1 input. Resolution is down to the ps. This information is mandatory and must be supplied.
CLKIN2_PERIOD	Real	0.938 to 52.631	0.000	Specifies the input period in ns to the PLL CLKIN2 input. Resolution is down to the ps. This information is mandatory and must be supplied.
STARTUP_WAIT	Boolean	FALSE, TRUE	FALSE	Wait during the configuration start-up cycle for the PLL to lock.

Notes:

1. The COMPENSATION attribute values are documented for informational purpose only. The ISE or Vivado design tools automatically select the appropriate compensation based on circuit topology. Do not manually select a compensation value, leave the attribute at the default value.

MMCM Clock Input Signals

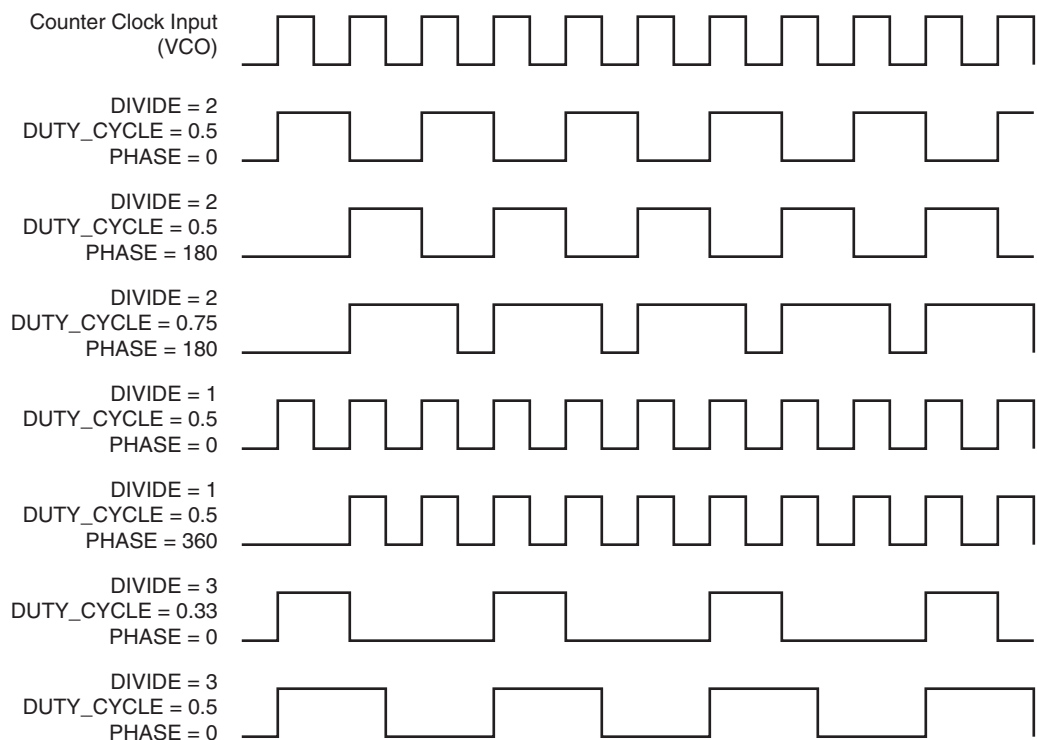
The possible clock sources for the MMCM include:

- IBUFG - Clock-capable input buffer, the MMCM will compensate the delay of this path. IBUFG represents a clock-capable clock pin in the same region.
- BUFGCTRL or BUFG - Internal global clock buffer, the MMCM will not compensate the delay of this path.
- IBUF - Regular input buffer, not recommended because the input buffer can use general routing. An IBUF clock input must route to a BUFG before routing to an MMCM/PLL. The MMCM/PLL does not compensate for the delay of this path.
- BUFR - Regional clock input buffer, the MMCM/PLL will not compensate the delay of this path.
- GT - The gigabit transceiver can directly connect to the MMCM.

Counter Control

The MMCM/PLL output counters provide a wide variety of synthesized clocks using a combination of DIVIDE, DUTY_CYCLE, and PHASE. Figure 3-8 illustrates how the counter settings impact the counter output.

The top waveform represents the output from the VCO.



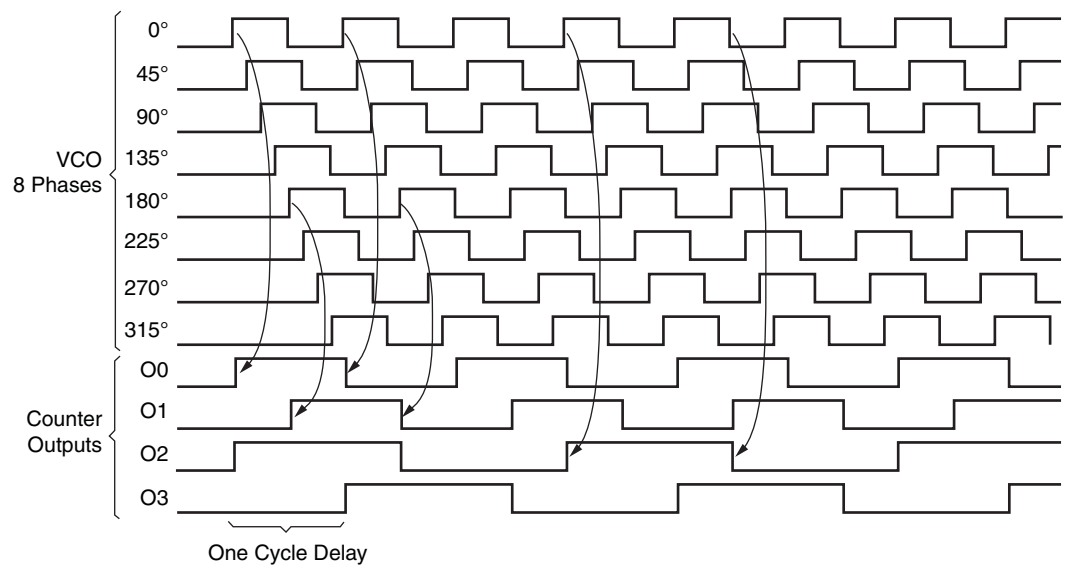
UG472_c2_08_061710

Figure 3-8: Output Counter Clock Synthesis Examples

Detailed VCO and Output Counter Waveforms

Figure 3-9 shows the eight VCO phase outputs and four different counter outputs. Each VCO phase is shown with the appropriate start-up sequence. The phase relationship and start-up sequence are guaranteed to ensure the correct phase is maintained. This means the rising edge of the 0° phase will happen before the rising edge of the 45° phase. The O0 counter is programmed to do a simple divide by two with the 0° phase tap as the reference clock. The O1 counter is programmed to do a simple divide by two but uses the 180° phase tap from the VCO. This counter setting could be used to generate a clock for a DDR interface where the reference clock is edge aligned to the data transition. The O2 counter is programmed to do a divide by three. The O3 output has the same programming as the O2 output except the phase is set for a one cycle delay. Phase shifts greater than one VCO period are possible.

If the MMCM/PLL is configured to provide a certain phase relationship and the input frequency is changed, then this phase relationship is also changed since the VCO frequency changes and therefore the absolute shift in picoseconds will change. This aspect must be considered when designing with the MMCM/PLL. When an important aspect of the design is to maintain a certain phase relationship amongst various clock outputs, (for example, CLK and CLK90) then this relationship will be maintained regardless of the input frequency.



ug472_02_09_061710

Figure 3-9: Selecting VCO Phases

All "O" counters can be equivalent, anything O0 can do, O1 can do. In 7 series devices, the O0 counter has the additional capability to be used in fractional divide mode. The MMCM/PLL outputs are flexible when connecting to the global clock network since they are identical. In most cases, this level of detail is imperceptible to you as the software and Clocking Wizard determines the proper settings through the MMCM/PLL attributes and Wizard inputs.

Reference Clock Switching

The MMCM and PLL reference clock can be dynamically switched by using the CLKINSEL pin. The switching is done asynchronously. Once the clock switches, the MMCM/PLL is likely to lose LOCKED and automatically lock onto the new clock. Therefore, once the clock switches, the MMCM/PLL must be reset. The MMCM/PLL clock MUX switching is shown in [Figure 3-10](#). The CLKINSEL signal directly controls the MUX. No synchronization logic is present.

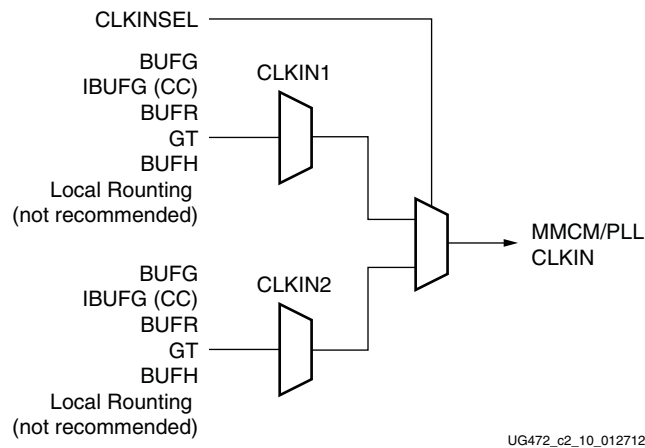


Figure 3-10: Input Clock Switching

Missing Input Clock or Feedback Clock

When the input clock or feedback clock is lost, the CLKINSTOPPED or CLKFBSTOPPED status signal is asserted. The MMCM deasserts the LOCKED signal. After the clock returns, the CLKINSTOPPED signal is deasserted and a RESET must be applied.

MMCM and PLL Use Models

The examples in this section show the MMCM, however, they can equally be applied to the PLL. There are several methods to design with the MMCM and/or PLL. The Clocking Wizard in the ISE or Vivado design tools can assist with generating the various MMCM and PLL parameters. Additionally, the MMCM can be manually instantiated as a component. It is also possible for the MMCM to be merged with an IP core. The IP core would contain and manage the MMCM.

Clock Network Deskew

One of the predominant uses of the MMCM is for clock network deskew. [Figure 3-11](#) and [Figure 3-12](#) show the MMCM in this mode. The clock output from one of the CLKOUT counters is used to drive logic within the fabric and/or the I/Os. The feedback counter is used to control the exact phase relationship between the input clock and the output clock (if, for example a 90° phase shift is required). The associated clock waveforms are shown to the right for the case where the input clock and output clock need to be phase aligned. The configuration in [Figure 3-11](#) is the most flexible, but it does require two global clock networks.

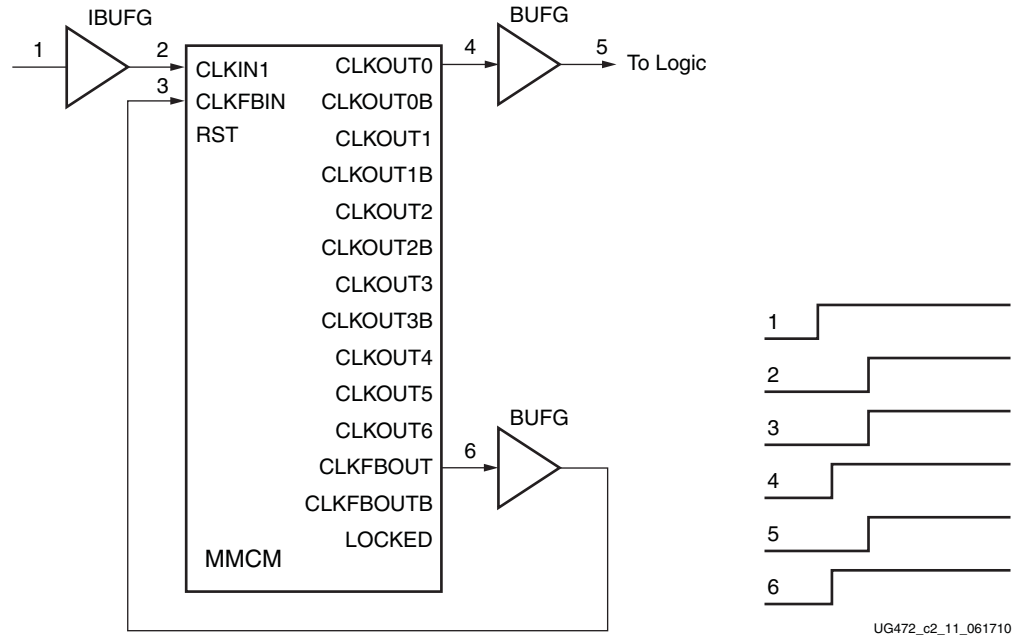


Figure 3-11: Global Clock Network Deskew Using Two BUFs

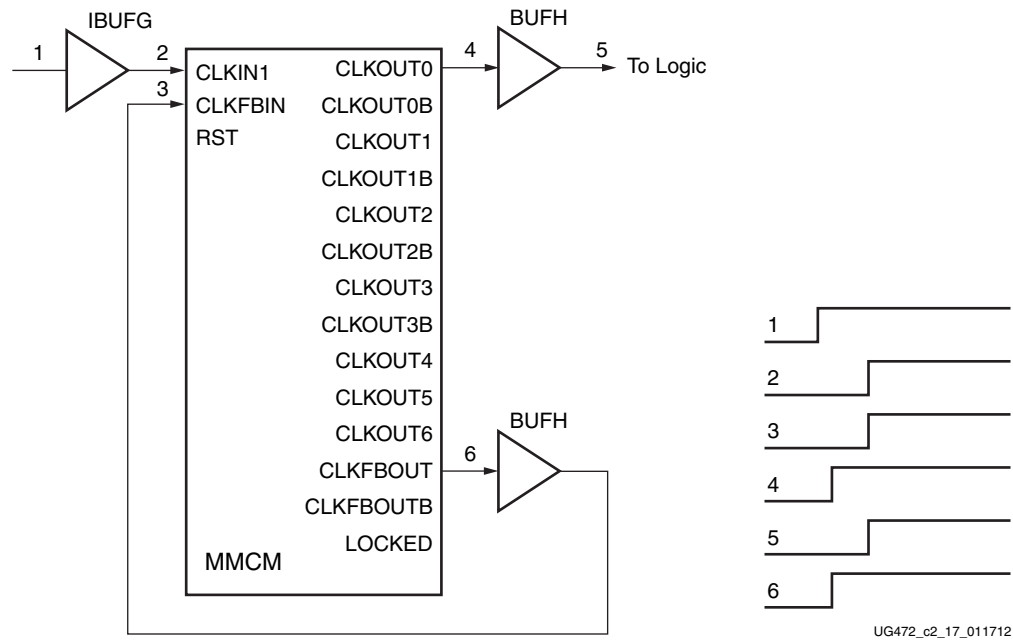


Figure 3-12: Horizontal Clock Network Deskew Using Two BUFHs

There are certain restrictions on implementing the feedback. The CLKFBOUT output can be used to provide the feedback clock signal. When an MMCM is driving both BUFs and BUFH, only one of the clock buffers that is also used in the feedback path is deskewed. The fundamental restriction is that both input frequencies to the PFD must be identical. Therefore, the following relationship must be met:

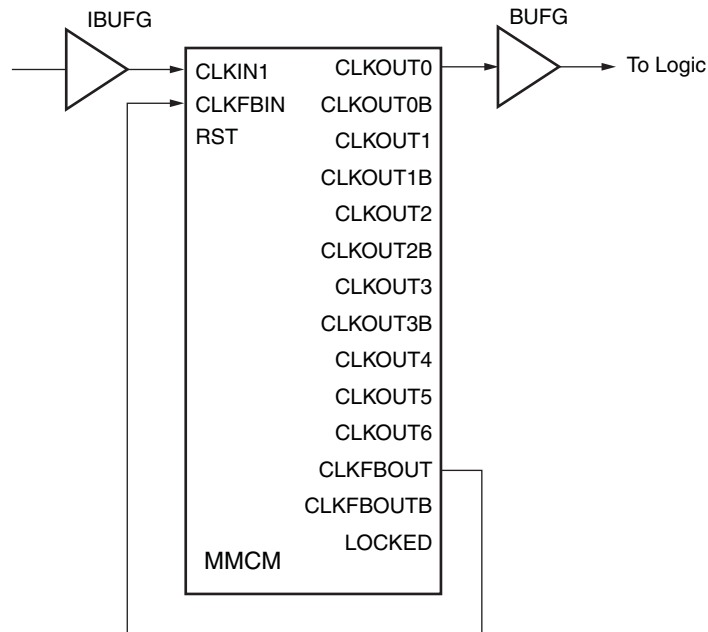
$$\frac{f_{IN}}{D} = f_{FB} = \frac{f_{VCO}}{M} \tag{Equation 3-11}$$

As an example, if f_{IN} is 166 MHz, $D = 1$, $M = 6$, and $O = 2$, then VCO is 996 MHz and the clock output frequency is 498 MHz. Since the M value in the feedback path is 6, both input frequencies at the PFD are 166 MHz.

In another more complex scenario has an input frequency of 66.66 MHz and $D = 2$, $M = 30$, and $O = 4$. The VCO frequency in this case is 1000 MHz and the CLKOUT output frequency is 250 MHz. Therefore, the feedback frequency at the PFD is 1000/30 or 33.33 MHz, matching the 66.66 MHz/2 input clock frequency at the PFD.

MMCM with Internal Feedback

The MMCM feedback can be internal to the MMCM when the MMCM is used as a synthesizer or jitter filter and there is no required phase relationship between the MMCM input clock and the MMCM output clock. The MMCM performance increases because the feedback clock is not subjected to noise on the core supply since it never passes through a block powered by this supply. Of course, noise introduced on the CLKIN signal and the BUFG will still be present (Figure 3-13).

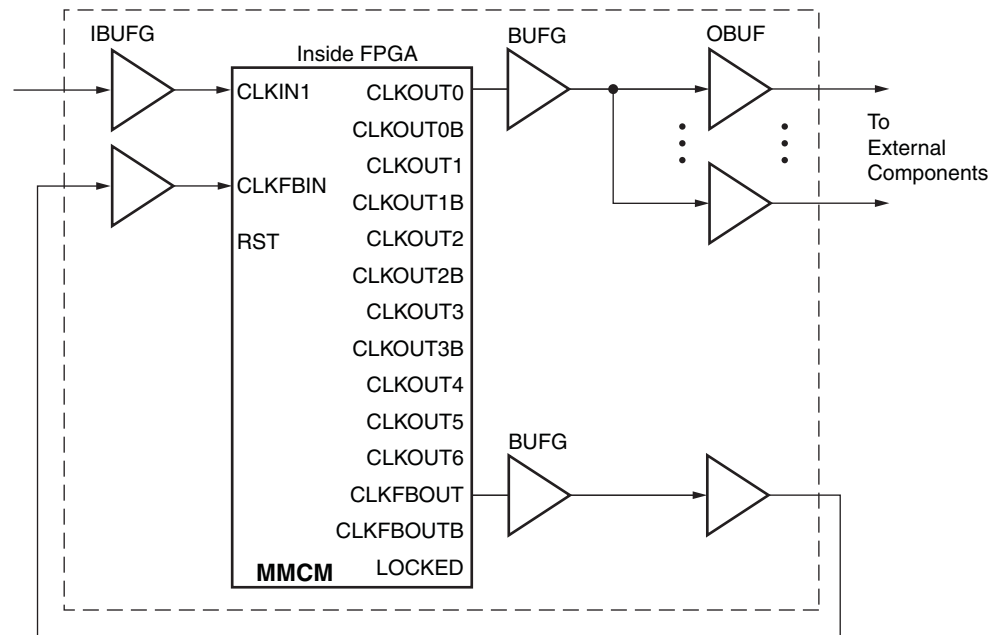


UG472_c2_12_061710

Figure 3-13: MMCM with Internal Feedback

Zero Delay Buffer

The MMCM can also be used to generate a zero delay buffer clock. A zero delay buffer can be useful for applications where there is a single clock signal fan out to multiple destinations with a low skew between them. This configuration is shown in the [Figure 3-14](#). Here, the feedback signal drives off chip and the board trace feedback is designed to match the trace to the external components. In this configuration, it is assumed that the clock edges are aligned at the input of the FPGA and the input of the external component. The input clock buffers for CLKIN and CLKFBIN must be in the same bank.



ug472_c2_13_061710

Figure 3-14: Zero Delay Buffer

In some cases, precise alignment cannot occur because of the difference in loading between the input capacitance of the external component and the feedback path capacitance of the FPGA. For example, the external components can have an input capacitance of 1 pF to 4 pF while the FPGA has an input capacitance of around 8 pF. There is a difference in the signal slope, which is basically skew. Designers need to be aware of this effect to ensure timing.

CMT to CMT Connection

The MMCM and PLL can be cascaded using CLKOUT0 to CLKOUT3 through the CMT backbone to allow generation of a greater range of clock frequencies. No buffer is needed when used with the CMT backbone ([Figure 3-15](#) and [Figure 3-16](#)). There will be a phase offset between the output clocks of the two MMCMs because the backbone delay is not compensated.

The frequency range restrictions still apply. [Equation 3-12](#) shows the relationship between the final output frequency and the input frequency and counter settings of the two MMCMs ([Figure 3-15](#) and [Figure 3-16](#)). The phase relationship between the output clock of the second MMCM and the input clock is undefined, and an additional phase offset is added between the two MMCMs because the backbone connection is not compensated. To cascade MMCMs, route the output of the first MMCM to the CLKIN pin of the second

MMCM. This path provides the lowest device jitter. Cascading using the inverted CLKOUTxB outputs is not available.

$$f_{OUTMMCM2} = f_{OUTMMCM1} \frac{M_{MMCM2}}{D_{MMCM2} \times O_{MMCM2}} = f_{IN} \frac{M_{MMCM1}}{D_{MMCM1} \times O_{MMCM1}} \times \frac{M_{MMCM2}}{D_{MMCM2} \times O_{MMCM2}} \quad \text{Equation 3-12}$$

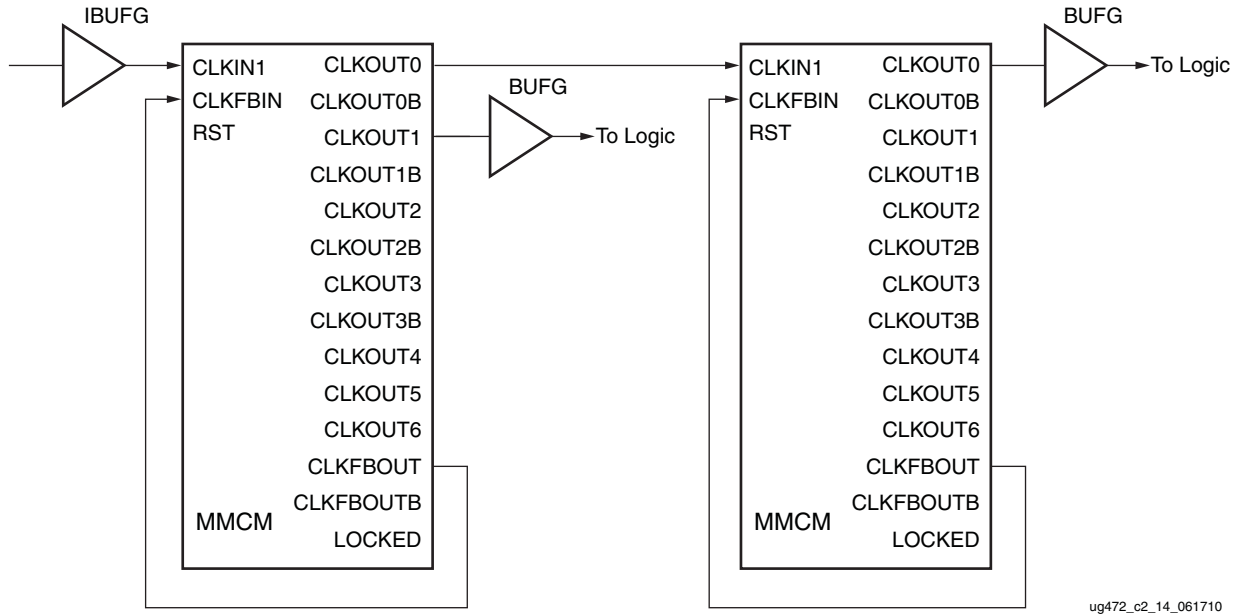


Figure 3-15: Cascading Two MMCMs Without Any Clock Alignment

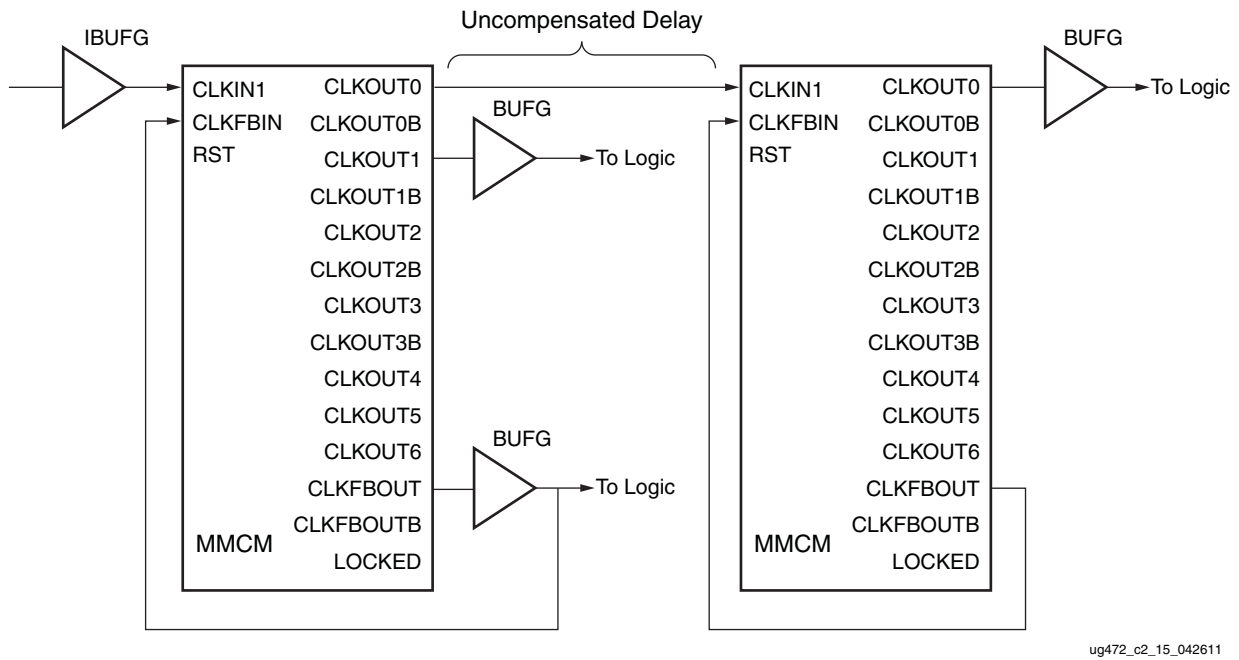


Figure 3-16: Cascading Two MMCMs With the Closest Possible Clock Alignment

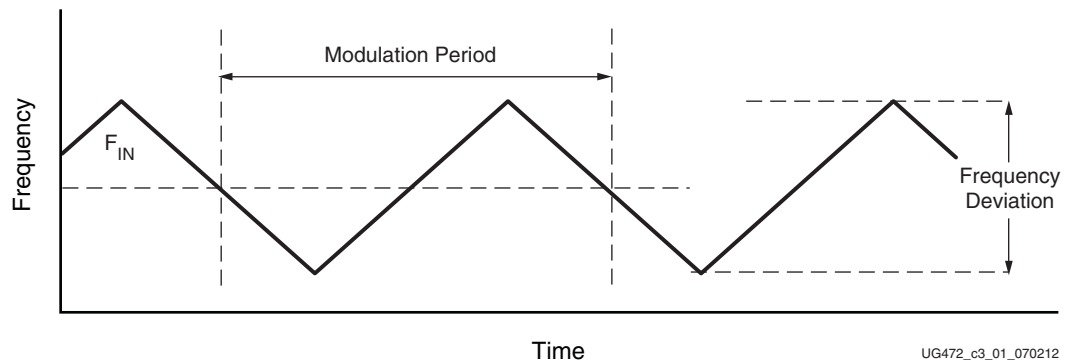
Spread-Spectrum Clock Generation

Spread-spectrum clock generation (SSCG) is widely used by manufacturers of electronic devices to reduce the spectral density of the electromagnetic interference (EMI) generated by these devices. Manufacturers must ensure that levels of electromagnetic energy emitted do not interfere with the operation of other nearby electronic devices. For example, the clarity of a phone call should not degrade when the phone is next to a video display. In the same way, the display should not be affected when the phone is used.

Electromagnetic Compatibility (EMC) regulations are used to control the noise or EMI that causes these disturbances. Typical solutions for meeting EMC requirements involve adding expensive shielding, ferrite beads, or chokes. These solutions can adversely impact the cost of the final product by complicating PCB routing and forcing longer product development cycles.

SSCG spreads the electromagnetic energy over a large frequency band to effectively reduce the electrical and magnetic field strengths measured within a narrow window of frequencies. The peak electromagnetic energy at any one frequency is reduced by modulating the SSCG output.

The MMCME2 can generate a spread-spectrum clock from a standard fixed frequency oscillator when `SS_EN` is set to `TRUE` (see [Figure 3-17](#)). Within the MMCME2, the VCO frequency is modulated along with `CLKFBOUT` and `CLKOUT[6:4,1,0]`. Clock outputs `CLKOUT[3:2]` are used to control the modulation period and are not available for general use. As long as the clock frequency is adjusted slowly, the spread spectrum will not affect the period jitter of the MMCME2.



UG472_c3_01_070212

Figure 3-17: Center-Spread Modulation

Adjusting the modulation period `SS_MOD_PERIOD` allows the FPGA designer to direct the tools to select the closest modulation period based on the MMCME2 settings. The spread-spectrum modulation will reduce EMI as long as the modulation frequencies are higher than the audible frequency range of 30 kHz. Typically, lower modulation frequencies are preferred by designers to minimize the impact of the introduction of spread spectrum.

Increasing the frequency deviation with `SS_MODE` (`CENTER_HIGH` or `DOWN_HIGH`) will increase the overall EMI reduction, but care must be taken to ensure that the increased range of frequencies does not affect the overall system operation (see [Figure 3-18](#)). Because the spread-spectrum clock and the input clock are operating at different frequencies, any data being transferred between the clock domains should use an asynchronous FIFO to ensure that data is not lost. Increasing the frequency deviation will require a larger FIFO.

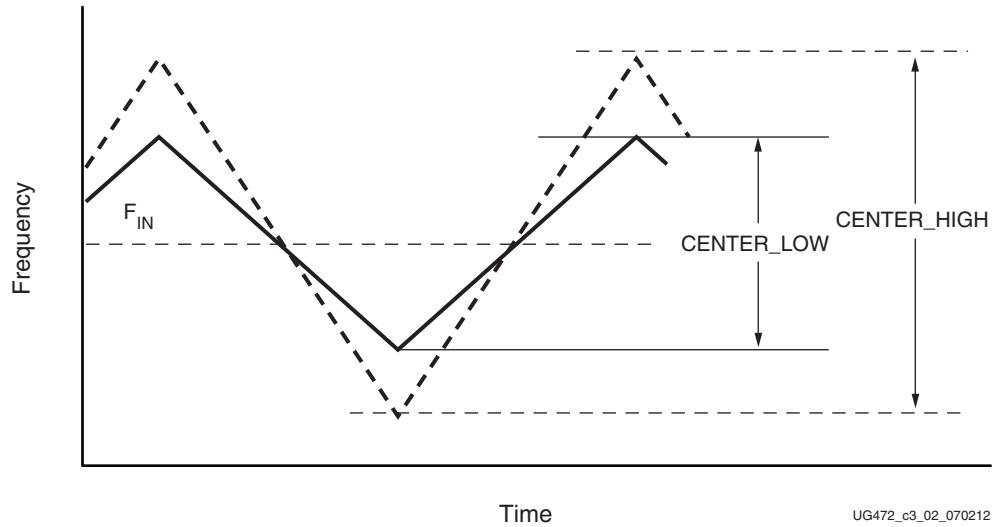


Figure 3-18: Center-Spread Modulation (CENTER_LOW vs. CENTER_HIGH)

Another design trade-off is the decision to use a center spread or down spread. Selecting SS_MODE (DOWN_HIGH, DOWN_LOW) spreads the frequencies to lower frequencies as shown in Figure 3-19. DOWN_HIGH will have similar frequency deviation to CENTER_LOW.

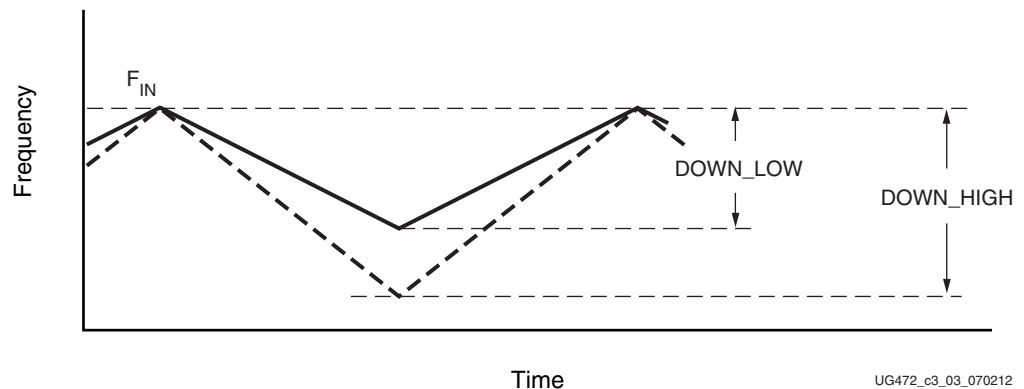


Figure 3-19: Down-Spread Modulation

The decision to use down spread is often the result of considering the timing analysis impact of spread spectrum. When using a spread-spectrum clock, the design must meet timing at the highest frequency in the frequency deviation. Therefore, if a 100 MHz clock with SS_MODE (CENTER_LOW) produces a 3% ($\pm 1.5\%$) center spread, the 100 MHz clock with 3% center spread must pass timing analysis as a 101.5 MHz clock. However, if SS_MODE (DOWN_HIGH) produces a 3% down spread, the input frequency is the highest frequency within the frequency deviation. Consequently, for a 100 MHz clock with 3% down spread, the down-spread clock would continue to be analyzed by timing analysis as a 100 MHz clock.

As an example of adjusting timing constraints to allow for the range of frequencies within the spread, the input frequency can be adjusted to manually account for the increased range of frequencies, as shown in Table 3-9.

Table 3-9: Manual Spread Spectrum Timing Adjustment Using Input Frequency

Parameter	Input Frequency (MHz)	M	Input Frequency Adjustment (FIN_SS)
SS_MODE(CENTER_HIGH)	$25 < F_{IN} < 35$	M = 28	$FIN_SS = F_{IN} \times 56/55$
	$35 < F_{IN} < 50$	M = 21	$FIN_SS = F_{IN} \times 42/41$
		M = 22	$FIN_SS = F_{IN} \times 44/43$
	$50 < F_{IN} < 75$	M = 28	$FIN_SS = F_{IN} \times 56/55$
	$75 < F_{IN} < 150$	M = 21	$FIN_SS = F_{IN} \times 42/41$
		M = 22	$FIN_SS = F_{IN} \times 44/43$
SS_MODE (CENTER_LOW)	$25 < F_{IN} < 35$	M = 56	$FIN_SS = F_{IN} \times 112/111$
	$35 < F_{IN} < 50$	M = 42	$FIN_SS = F_{IN} \times 84/83$
		M = 44	$FIN_SS = F_{IN} \times 88/87$
	$50 < F_{IN} < 75$	M = 56	$FIN_SS = F_{IN} \times 112/111$
	$75 < F_{IN} < 150$	M = 42	$FIN_SS = F_{IN} \times 84/83$
		M = 44	$FIN_SS = F_{IN} \times 88/87$
SS_MODE (DOWN_HIGH)	$25 < F_{IN} < 35$	M = 28	$FIN_SS = F_{IN}$
	$35 < F_{IN} < 50$	M = 21, 22	$FIN_SS = F_{IN}$
	$50 < F_{IN} < 75$	M = 28	$FIN_SS = F_{IN}$
	$75 < F_{IN} < 100$	M = 21, 22	$FIN_SS = F_{IN}$
	$100 < F_{IN} < 150$	M = 21, 22	$FIN_SS = F_{IN}$
SS_MODE (DOWN_LOW)	$25 < F_{IN} < 35$	M = 56	$FIN_SS = F_{IN}$
	$35 < F_{IN} < 50$	M = 42, 44	$FIN_SS = F_{IN}$
	$50 < F_{IN} < 75$	M = 56	$FIN_SS = F_{IN}$
	$75 < F_{IN} < 100$	M = 42, 44	$FIN_SS = F_{IN}$
	$100 < F_{IN} < 150$	M = 42, 44	$FIN_SS = F_{IN}$

For a 25 MHz input clock, the new timing constraints would be:

- $SS_MODE(CENTER_HIGH) = 25 \times 56/55 = 25.45$ MHz
- $SS_MODE (CENTER_LOW) = 25 \times 112/111 = 25.23$ MHz
- $SS_MODE (DOWN_HIGH) = 25$ MHz
- $SS_MODE (DOWN_LOW) = 25$ MHz

For an 80 MHz input clock, the new timing constraints would be:

- $SS_MODE(CENTER_HIGH) = 80 \times 44/43 = 81.86$ MHz
- $SS_MODE (CENTER_LOW) = 80 \times 88/87 = 80.92$ MHz
- $SS_MODE (DOWN_HIGH) = 80$ MHz
- $SS_MODE (DOWN_LOW) = 80$ MHz

Because the average output frequency when using down spread is lower than the input frequency, an asynchronous FIFO must be used for transferring data between the input and output clock domains. Logic within the MMCME2 controls the spread-spectrum modulation based on a given input frequency and SS_MOD_PERIOD. The restrictions shown in Table 3-10 apply when using spread-spectrum generation.

Table 3-10: Spread-Spectrum Generation Restrictions for MMCME2

Parameter	Value	
F _{MODULATION}	Minimum	25 [kHz]
	Maximum	250 [kHz]
Input Clock Frequency	Minimum	25 [MHz]
	Maximum	150 [MHz]
SS_MODE(CENTER_HIGH)	25 MHz < F _{IN} < 35 MHz	M = 28 D = 1
	35 MHz < F _{IN} < 50 MHz	M = 21, 22 D = 1
	50 MHz < F _{IN} < 75 MHz	M = 28 D = 2
	75 MHz < F _{IN} < 100 MHz	M = 21, 22 D = 2
	100 MHz < F _{IN} < 150 MHz	M = 21, 22 D = 3
SS_MODE (CENTER_LOW)	25 MHz < F _{IN} < 35 MHz	M = 56 D = 2
	35 MHz < F _{IN} < 50 MHz	M = 42, 44 D = 2
	50 MHz < F _{IN} < 75 MHz	M = 56 D = 4
	75 MHz < F _{IN} < 100 MHz	M = 42, 44 D = 4
	100 MHz < F _{IN} < 150 MHz	M = 42, 44 D = 6
SS_MODE (DOWN_HIGH)	25 MHz < F _{IN} < 35 MHz	M = 28 D = 1
	35 < F _{IN} < 50 MHz	M = 21, 22 D = 1
	50 MHz < F _{IN} < 75 MHz	M = 28 D = 2
	75 MHz < F _{IN} < 100 MHz	M = 21, 22 D = 2
	100 MHz < F _{IN} < 150 MHz	M = 21, 22 D = 3

Table 3-10: Spread-Spectrum Generation Restrictions for MMCME2 (Cont'd)

Parameter	Value	
SS_MODE (DOWN_LOW)	$25 \text{ MHz} < F_{\text{IN}} < 35 \text{ MHz}$	M = 56 D = 2
	$35 \text{ MHz} < F_{\text{IN}} < 50 \text{ MHz}$	M = 42, 44 D = 2
	$50 \text{ MHz} < F_{\text{IN}} < 75 \text{ MHz}$	M = 56 D = 4
	$75 \text{ MHz} < F_{\text{IN}} < 100 \text{ MHz}$	M = 42, 44 D = 4
	$100 \text{ MHz} < F_{\text{IN}} < 150 \text{ MHz}$	M = 42, 44 D = 6
CLKOUT[3:2]_DIVIDE	N/A	
CLKOUT[6:4,1,0]_DIVIDE	1 to 128	
Bandwidth	Low	

When using spread-spectrum generation, the VCO frequency is set by the clocking wizard based on the input frequency and SS_MODE. As a result, the clocking wizard is recommended to set the output frequencies for CLKOUT[6:4,1,0].

Based on the VCO frequency and SS_MOD_PERIOD, the clocking wizard also determines the correct modulation settings to set the modulation frequency within 10% of SS_MOD_PERIOD. Because the modulation frequency is dependent on the VCO frequency, the modulation frequency will scale as the input frequency changes for a given compilation.

MMCM Application Example

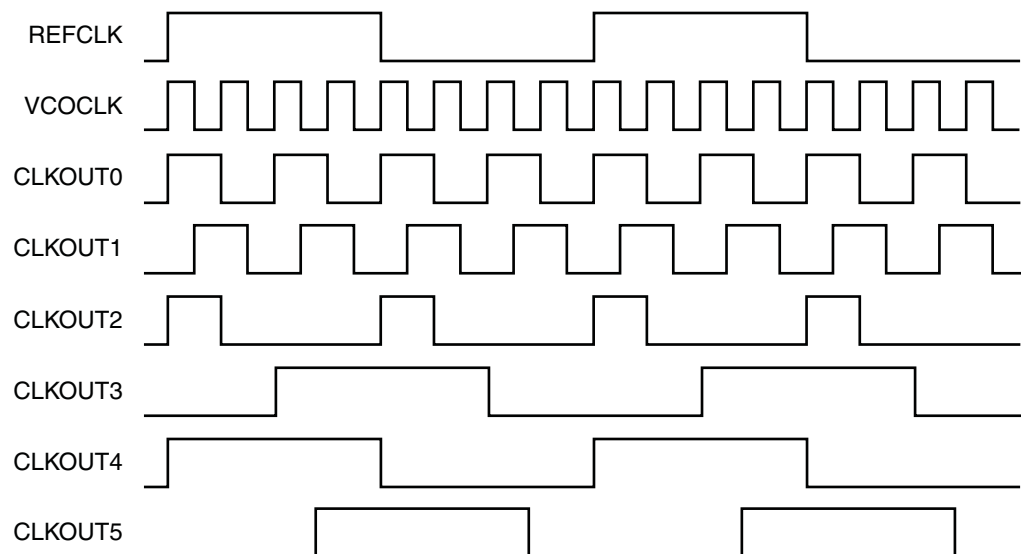
The following MMCM attribute settings result in a wide variety of synthesized clocks:

```

CLKOUT0_PHASE = 0;
CLKOUT0_DUTY_CYCLE = 0.5;
CLKOUT0_DIVIDE = 2;
CLKOUT1_PHASE = 90;
CLKOUT1_DUTY_CYCLE = 0.5;
CLKOUT1_DIVIDE = 2;
CLKOUT2_PHASE = 0;
CLKOUT2_DUTY_CYCLE = 0.25;
CLKOUT2_DIVIDE = 4;
CLKOUT3_PHASE = 90;
CLKOUT3_DUTY_CYCLE = 0.5;
CLKOUT3_DIVIDE = 8;
CLKOUT4_PHASE = 0;
CLKOUT4_DUTY_CYCLE = 0.5;
CLKOUT4_DIVIDE = 8;
CLKOUT5_PHASE = 135;
CLKOUT5_DUTY_CYCLE = 0.5;
CLKOUT5_DIVIDE = 8;
CLKFBOUT_PHASE = 0;
CLKFBOUT_MULT_F = 8;
DIVCLK_DIVIDE = 1;
CLKIN1_PERIOD = 10.0;

```

Figure 3-20 displays the resulting waveforms.



UG472_e2_16_061710

Figure 3-20: Example Waveform

Dynamic Reconfiguration Port

For DRP usage, see [XAPP888](#), *MMCM and PLL Dynamic Reconfiguration* and the associated reference design.

VHDL and Verilog Templates and the Clocking Wizard

The VHDL and Verilog code for all clocking resource primitives and the ISE or Vivado design tools language templates are available in the *Libraries Guide*.

The Clocking Wizard helps to correctly set up the 7 series MMCM and PLL resources. Additionally, the Clocking Wizard reports the jitter and supports phase and frequency synthesis.

Multi-Region Clocking

Introduction

Clocking and I/O interconnect logic across multiple clock regions in 7 series FPGAs is different from how it was done in previous generations of Xilinx FPGAs. While the increase in I/O and logic resources in a clock region has reduced the need for clock signals to span multiple clock regions, these same wide I/O interfaces still demand the ability to drive interconnect and I/O logic in more than one clock region. The 7 series FPGAs BUFMR/BUFMRCE primitives enable clock-capable input pins to drive BUFIOs and BUFMRs in the region same region the input resides as well as the regions above and below. This appendix details using the BUFIO and BUFMR clock buffers to drive clock signals across multiple clock regions.

All 7 series FPGAs are divided into areas known as clock regions. A clock region spans from the global clocking column in the center of the device to either the left or right edge of the device and is 50 rows of CLBs high (Figure A-1).

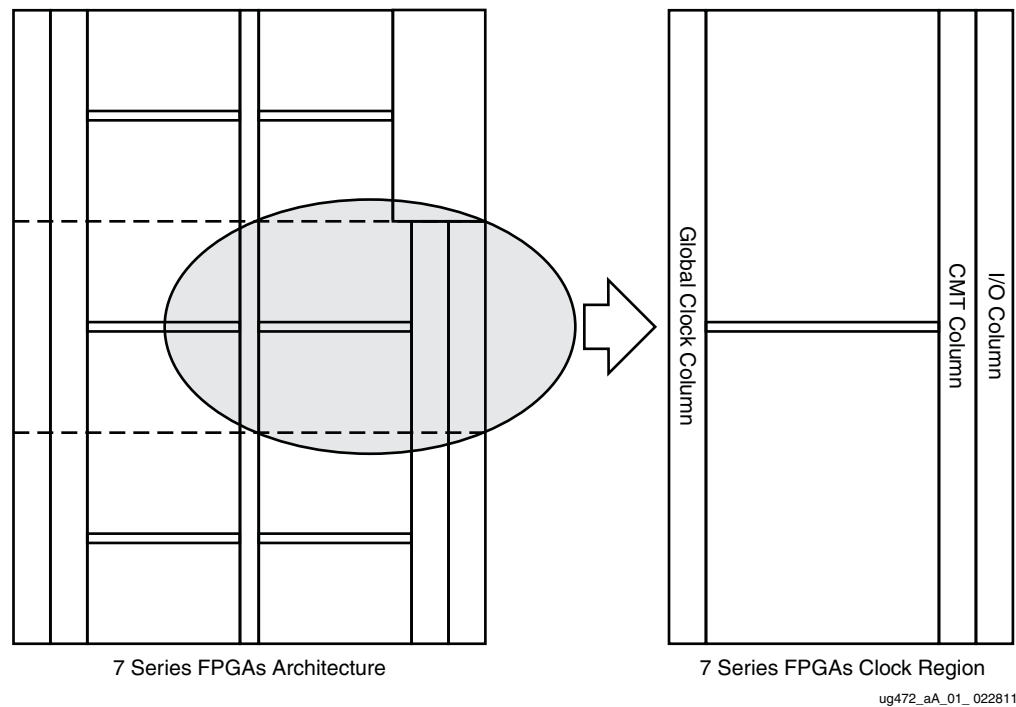
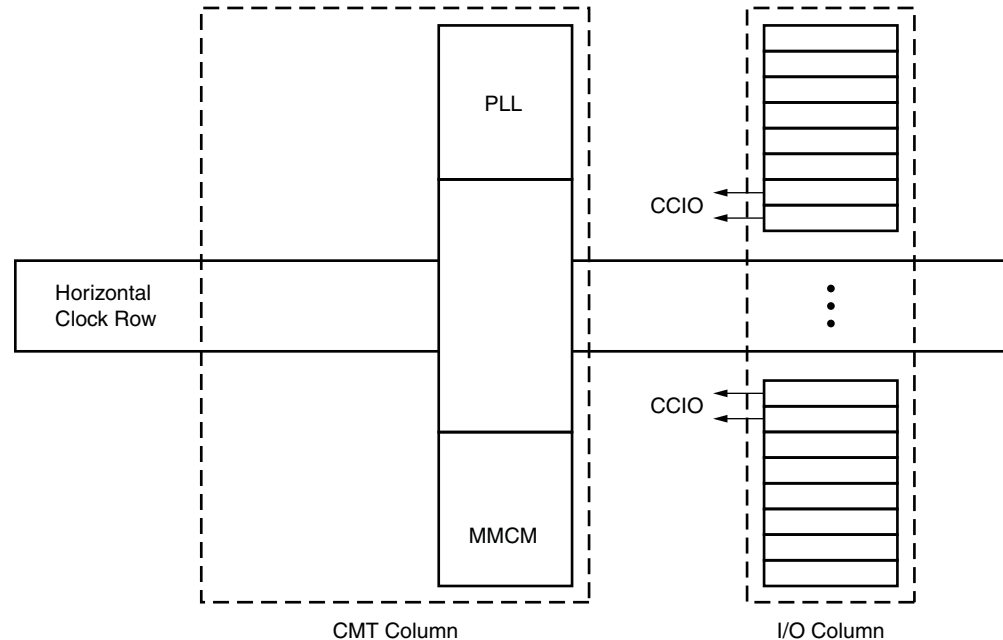


Figure A-1: 7 Series Clocking Architecture Example

Each clock region has its own resources. The horizontal clock row ([Figure A-2](#)) sits in the middle of the clock region with 25 rows of CLBs above and 25 rows of CLBs below. The I/O column that resides in each clock region is 50 I/O high and is exactly one I/O bank. There are four clock-capable input (CCIO) pins located in the I/O bank within each clock region, two above the horizontal clock row and two below.



ug472_aA_02_022811

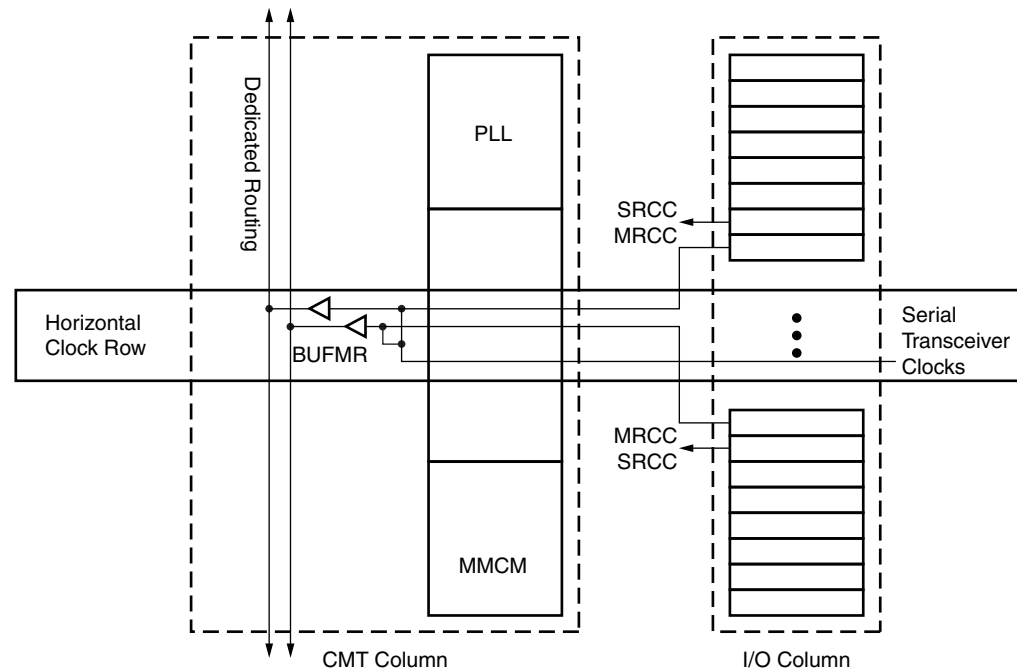
Figure A-2: Clock Region Resources

Clocking Across Multiple Regions

While the increase in logic and I/O resources within a clock region reduces the need for designs to span multiple clock regions, some designs still require larger I/O interfaces to drive the same clock signal from an input source across multiple clock regions. Without using any other primitives, a clock signal entering the device on a CCIO pin can only drive the BUFMRs and/or BUFIOs within the same region. Some designs require the incoming clock signal to clock interconnect logic (such as slice flip-flops, block RAM and DSP slices) and I/O logic (such as ISERDES, OSERDES, ILOGIC, OLOGIC, IDELAY and ODELAY) in more than one clock region. To accomplish this, the BUFMR primitive must be used.

BUFMR Primitive

The BUFMR primitive is a multi-region clock buffer that allows clock signals to access BUFMRs and BUFIOs in regions above and below the region where the clock signal enters the device. BUFMRs can span more than one clock region ([Figure A-3](#)). There are two BUFMRs located in each clock region. The BUFMRs drive the dedicated low-skew clocking resources residing within the CMT column, ensuring that the least possible skew is inserted when driving clock signals into multiple regions.



ug472_aA_03_022811

Figure A-3: BUFMR Primitive

Every BUFMR is capable of driving the BUFMRs and BUFMRs in the same region and the regions directly above and below. BUFMRs are driven by CCIO or gigabit-transceiver (GT) outputs in the same clock region. This allows the CCIO and GT output clocks to span multi-regions using the same circuit topology. Of the four CCIOs present in every clock region, two can drive BUFMRs. These pins are labeled as MRCC to denote their multi-region ability. The two CCIOs that cannot drive BUFMRs are labeled as SRCC for single-region CCIO. Every MRCC pin has a master or P-side and a slave or N-side. When using a MRCC pin to drive a BUFMR, use only the master or P-side. To identify the master or P-side, look for a P in the pin name (for example: IO_LxxP_Tx_MRCC_xx).

The GT inputs to the Virtex®-6 FPGA BUFMRs are not available in the 7 series FPGAs architecture. The BUFMR, however, can get its inputs from any one of the GT clocks within the clock region. This allows the GT clocks to span multi-regions using the same circuit topology as shown in Figure A-3. Also, BUFMRs cannot cross the boundary between super-logic regions (SLRs) on the devices using stacked-silicon interconnect technology.

Use Cases

When using BUFMRs to drive logic in multiple regions, group the logic being driven by the multiple BUFMRs or BUFMRs into (up to three) subsets, each with a separate BUFMR or BUFMR. Use the Vivado design tools to floorplan and constrain the design so that logic is assigned to the individual BUFMRs and BUFMRs.

For illustration purposes, the following clocking schemes use an MRCC as the input; however, a GT clock can be used instead. Also, some of these examples show the topology when using the built-in divide feature of the BUFMR. The BUFMR can divide by 1-to-8 in integer steps. The divide value is specified by the BUFMR_DIVIDE attribute during design. Additionally, the BUFMR has a BYPASS setting which turns off the divide capability and

disables the output clock enable (CE) and asynchronous clear for the divide logic (CLR). For more information on BUFMRs, see [BUFMR Primitive in Chapter 2](#).

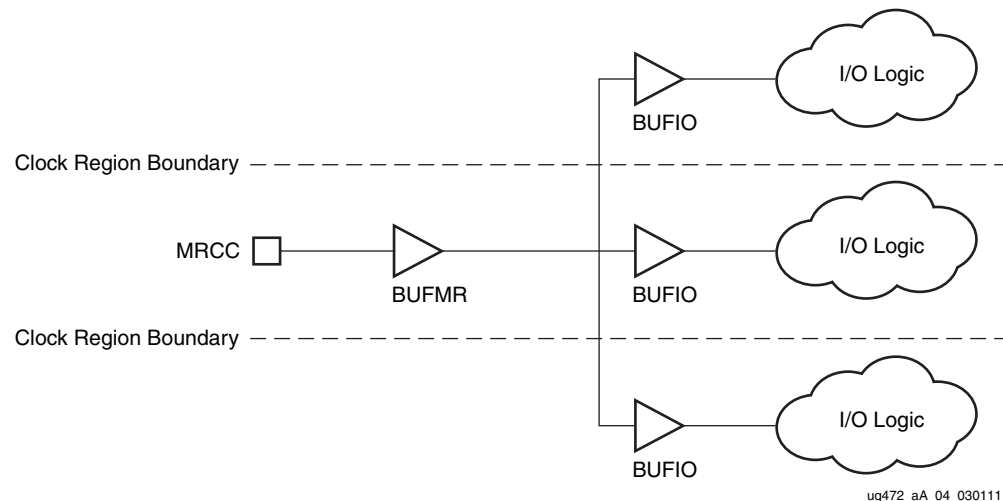
Clock Alignment Across Clock Regions

Although the behavior of the BUFMR primitive when using the BUFMR_DIVIDE=BYPASS or BUFMR_DIVIDE=1 attributes is similar, the delay through the BUFMRs when using BUFMR_DIVIDE=BYPASS is less than when using BUFMR_DIVIDE=1. However, the delay through a BUFMR is the same when using the BUFMR_DIVIDE=1 attribute or BUFMR_DIVIDE=2, 3...8. Therefore, when using BUFMRs with the divide feature, the non-dividing BUFMRs should have BUFMR_DIVIDE set to 1 rather than to BYPASS to ensure the best possible clock alignment across the clock regions.

Single Buffer per Clock Region

Driving Multiple BUFMRs

When driving only I/O logic across three clock regions, the BUFMR can drive three BUFMRs. Although BUFMRs can perform this function, BUFMRs supply the highest performance operation and drive dedicated clock nets within the I/O column. Group the I/O logic by the three BUFMRs into three separate subsets, each is clocked by its own BUFMR (Figure A-4).



ug472_aA_04_030111

Figure A-4: Driving Multiple BUFMRs

Driving Multiple BUFRRs

When driving interconnect logic and I/O logic at the same clock rate from the same clock source across three clock regions, use a BUFMRCE primitive (multi-region clock buffer with clock enable). For more information on BUFMRCEs, see [BUFMR Primitive in Chapter 2](#). A BUFMRCE can drive three BUFRRs which, in turn, drive both interconnect logic and I/O logic ([Figure A-5](#)). Group the logic clocked by the three BUFRRs into separate subsets, each driven by its own BUFRR.

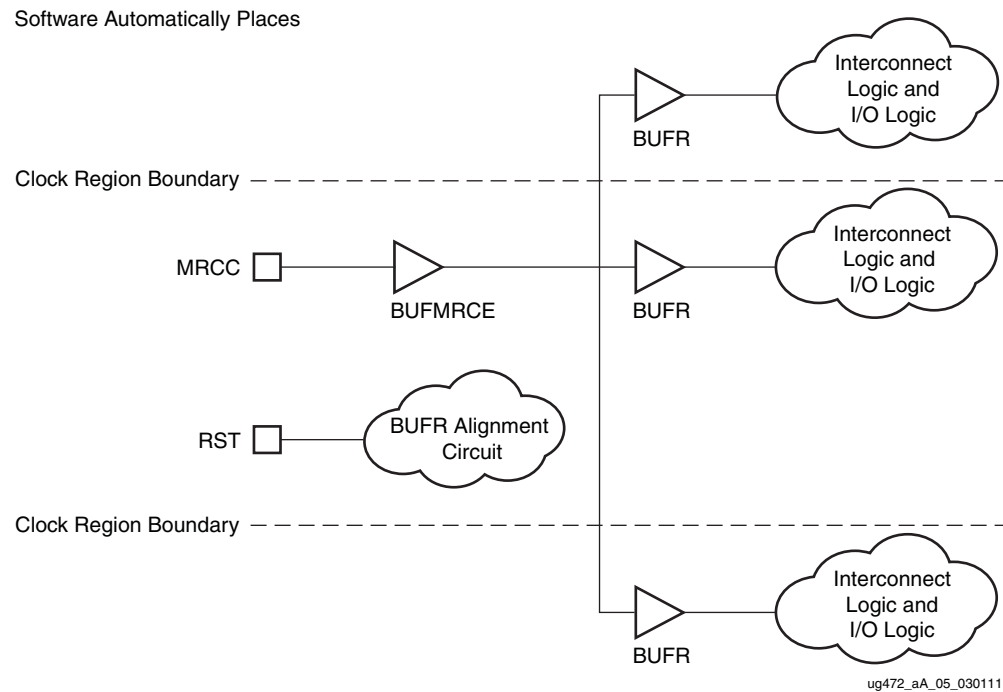


Figure A-5: Driving Multiple BUFRRs

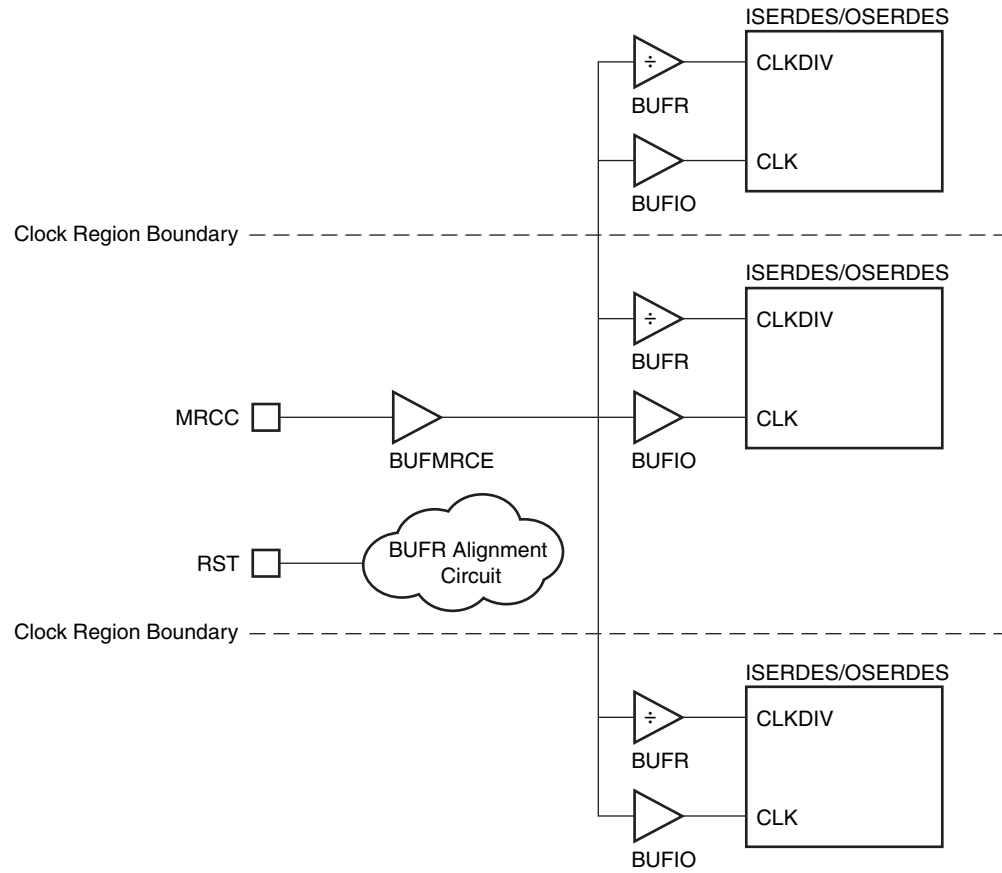
If the divide value in the BUFRR is being used, then all BUFRR instances must be reset while the BUFMRCE is disabled. See [BUFRR Alignment](#) for more details. In the use cases described in [Figure A-4](#) and [Figure A-5](#), the placer software automatically places the buffers in the appropriate location.

Multiple Buffers Per Clock Region

Driving Multiple BUFRRs (with Divide) and BUFIO

When driving the ISERDES/OSERDES CLK and CLKDIV pins, use BUFIOs in conjunction with BUFRRs that have their divide capability activated. The BUFIO drives a clean, low-skew clock to the CLK port of the ISERDES/OSERDES and the BUFRR drives the slower CLKDIV input. For example in [Figure A-6](#), when a 250 MHz input clock comes in to the FPGA on a MRCC pin, the BUFIO drives the CLK input at the full rate of 250 MHz and the BUFRR with BUFRR_DIVIDE=2 drives the CLKDIV inputs at the half rate of 125 MHz.

When driving multiple buffers in this manner, manually place the buffers with a LOC constraint. The logic driven by the buffers is automatically placed in the appropriate location.



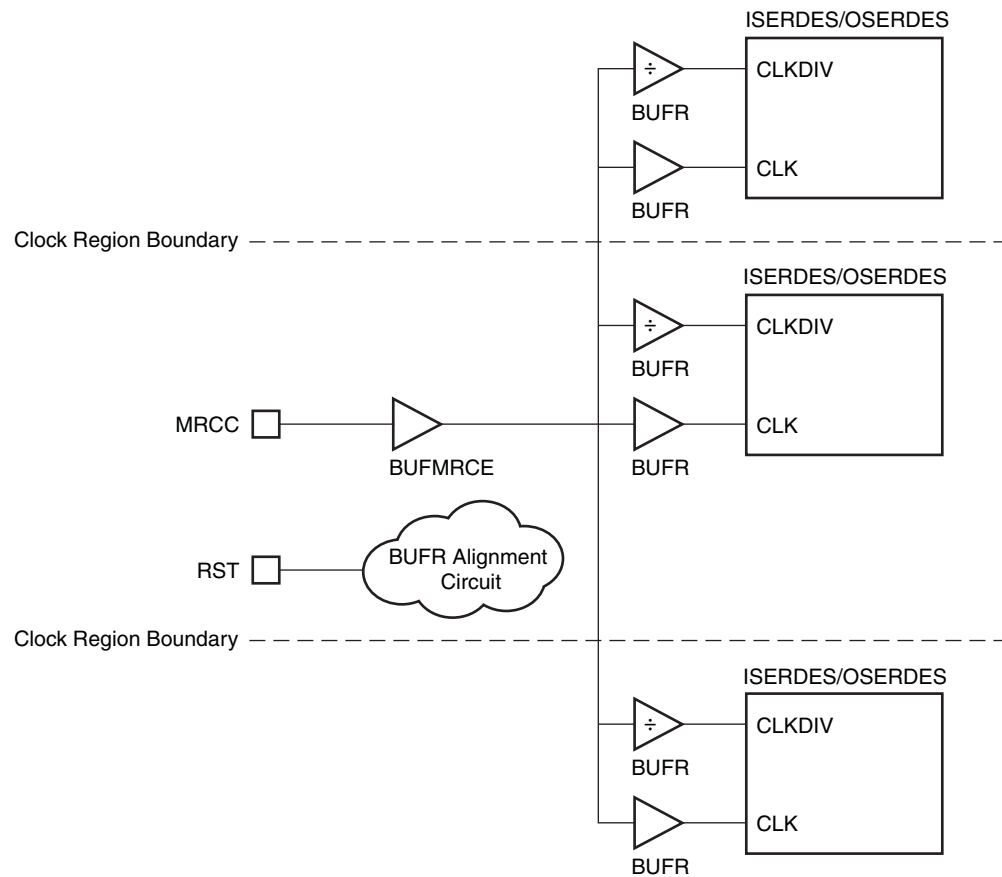
ug472_aA_06_051311

Figure A-6: Driving Multiple BUFRs (With Divide) and BUFIO

Driving Multiple BUFMRs (With and Without Divide)

Similar to the example in [Figure A-6](#), if the BUFIOs are not available (used for another purpose), the CLK inputs of the ISERDES/OSERDES can be driven by BUFMRs (see [Figure A-7](#)).

When a BUFMR drives more than three BUFMRs, manually place the BUFMRs with a LOC constraint. The logic driven by the BUFMRs is automatically placed in the appropriate location.



ug472_aA_07_051311

Figure A-7: Driving Multiple BUFMRs (With and Without Divide)

BUFR Alignment

When using the built in divide capability of the BUFR (shown in [Figure A-6](#) and [Figure A-7](#), the clock must be stopped at the BUFMR and reset signals applied to the BUFRs, to align the BUFR divide counters across the multiple clock regions. This will require using the BUFMRCE primitive, which allows you to disable the output of the BUFMR during the reset. To successfully align the BUFRs in adjacent regions, the following procedure must be followed:

- Connect the clock enable to the CE port of the BUFMRCE
- Hold the CE pin of the BUFMRCE in its inactive state to disable the output of the BUFMRCE
- Reset all BUFRs by applying a reset signal to the CLR pin of the BUFR
- Re-enable the BUFMRCE after the BUFR reset/CLR signal is applied
- Release the reset/CLR signal on the BUFRs. All BUFRs must be released in the same clock cycle to ensure phase alignment of all the BUFR output clocks.

To turn off clocks during circuit operations, that is after the reset/CLR signal to the BUFRs is deasserted, disable the BUFMRCE using its CE pin. This ensures that the BUFRs continue to be aligned when the clock signal is reinstated. The BUFMRCEs CE pin should be asserted for a minimum of one input clock cycle.

Clocking Resources and Connectivity Variations per Clock Region

Figure B-1 through Figure B-4 show the clocking resources and connectivity for the clock region variations.

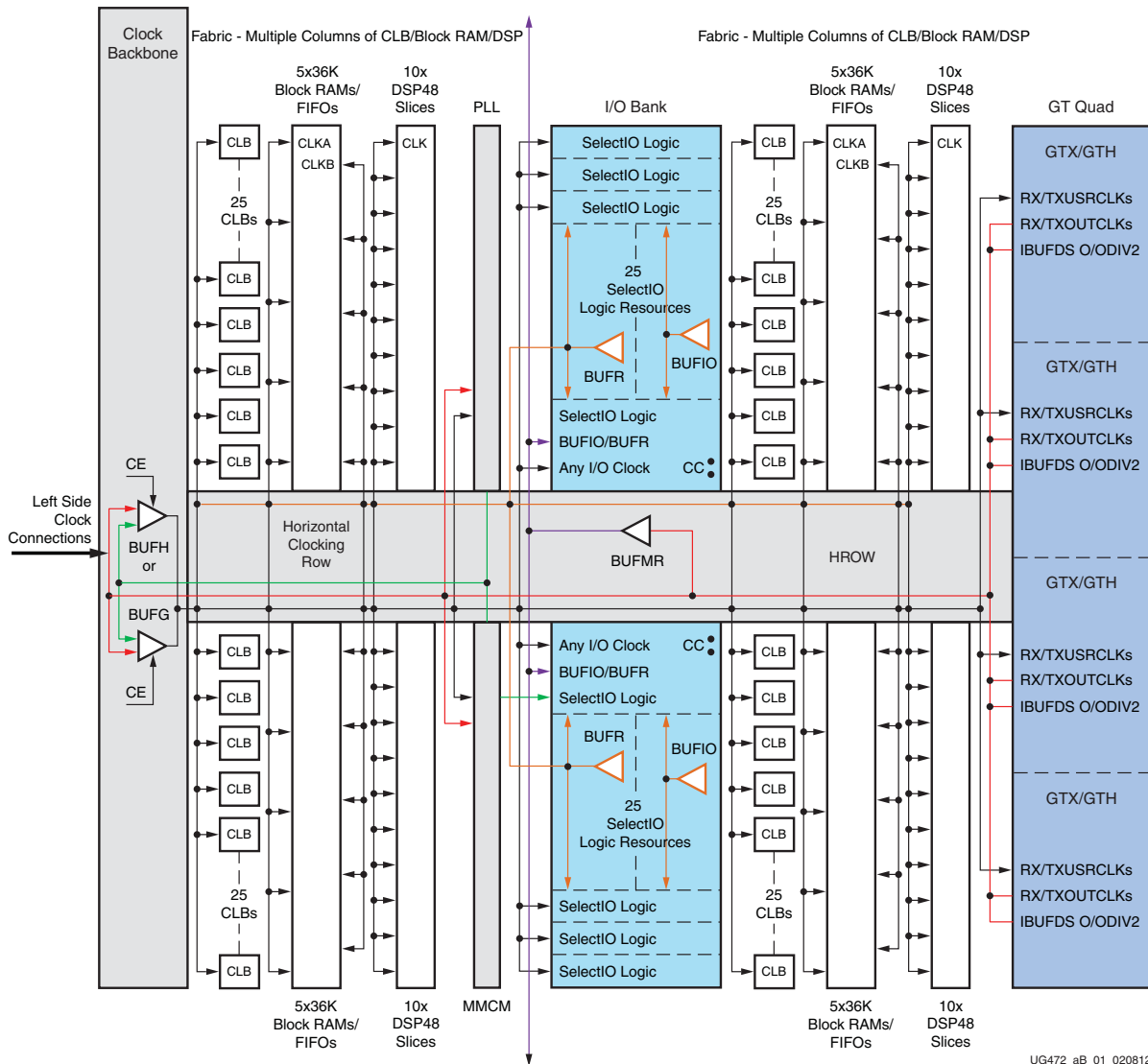


Figure B-1: Clock Region in Virtex-7 FPGAs (Right Side)

UG472_aB_01_020812

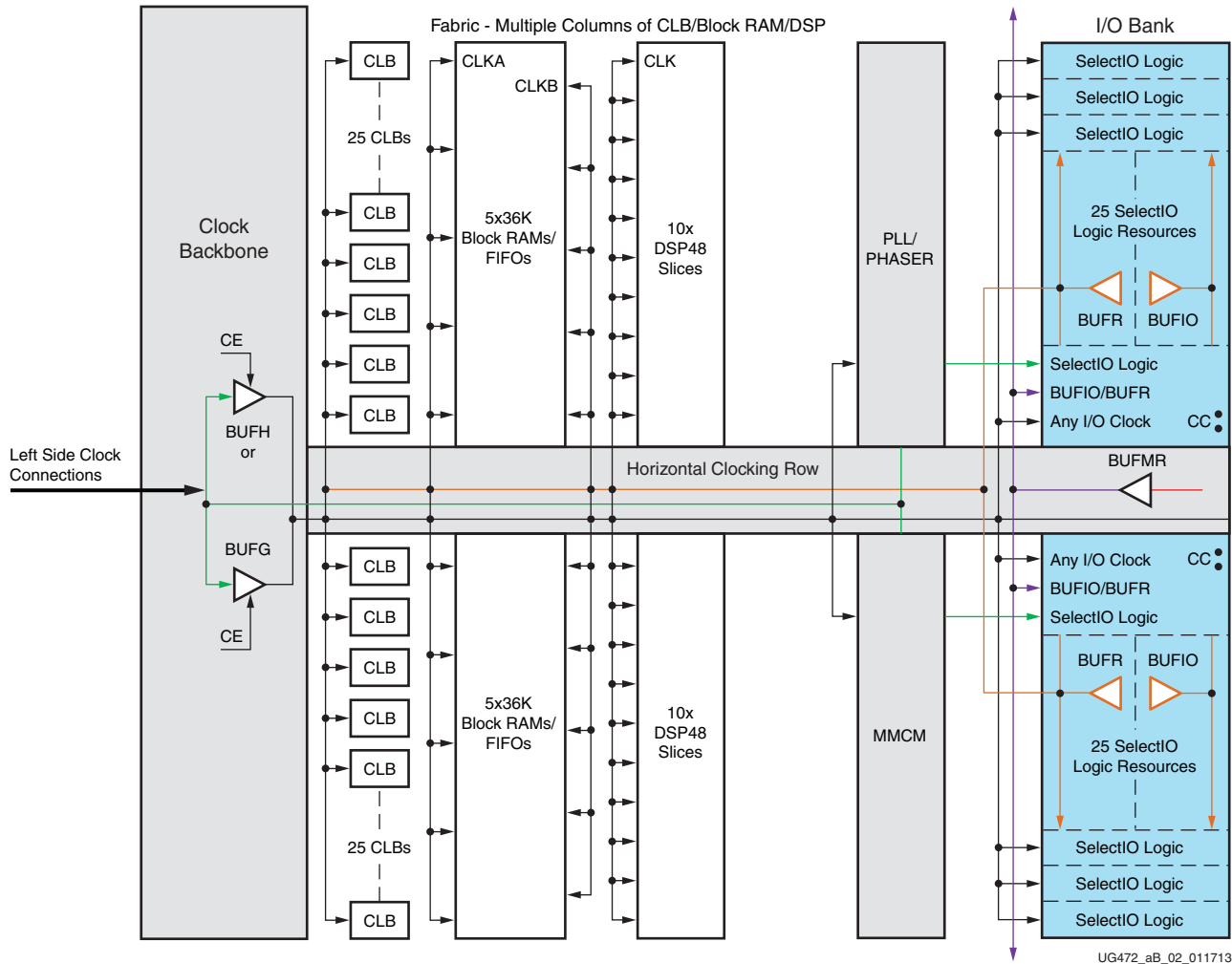
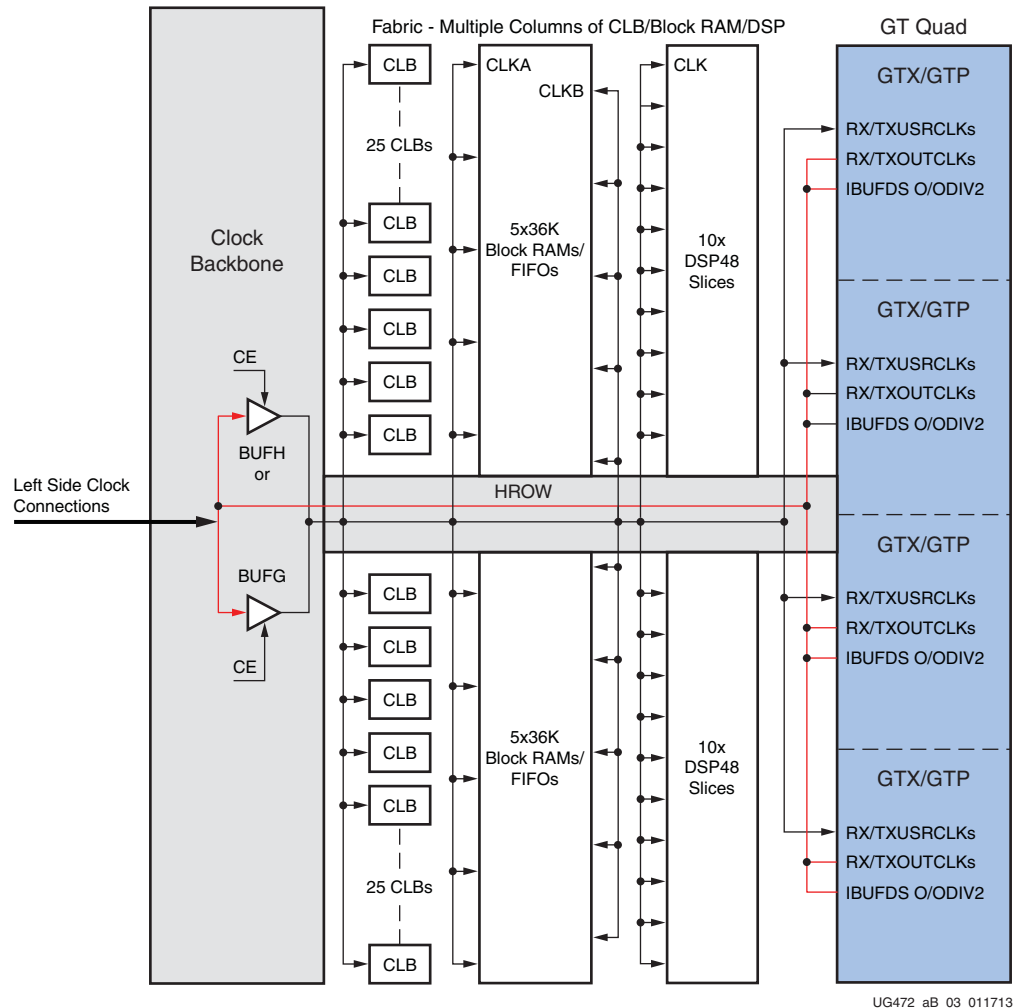


Figure B-2: Clock Region in Spartan-7 FPGAs, Kintex-7 FPGAs, and all Artix-7 FPGAs (except for the XC7A200T) with I/O Banks and No GT Transceivers (Right Side)

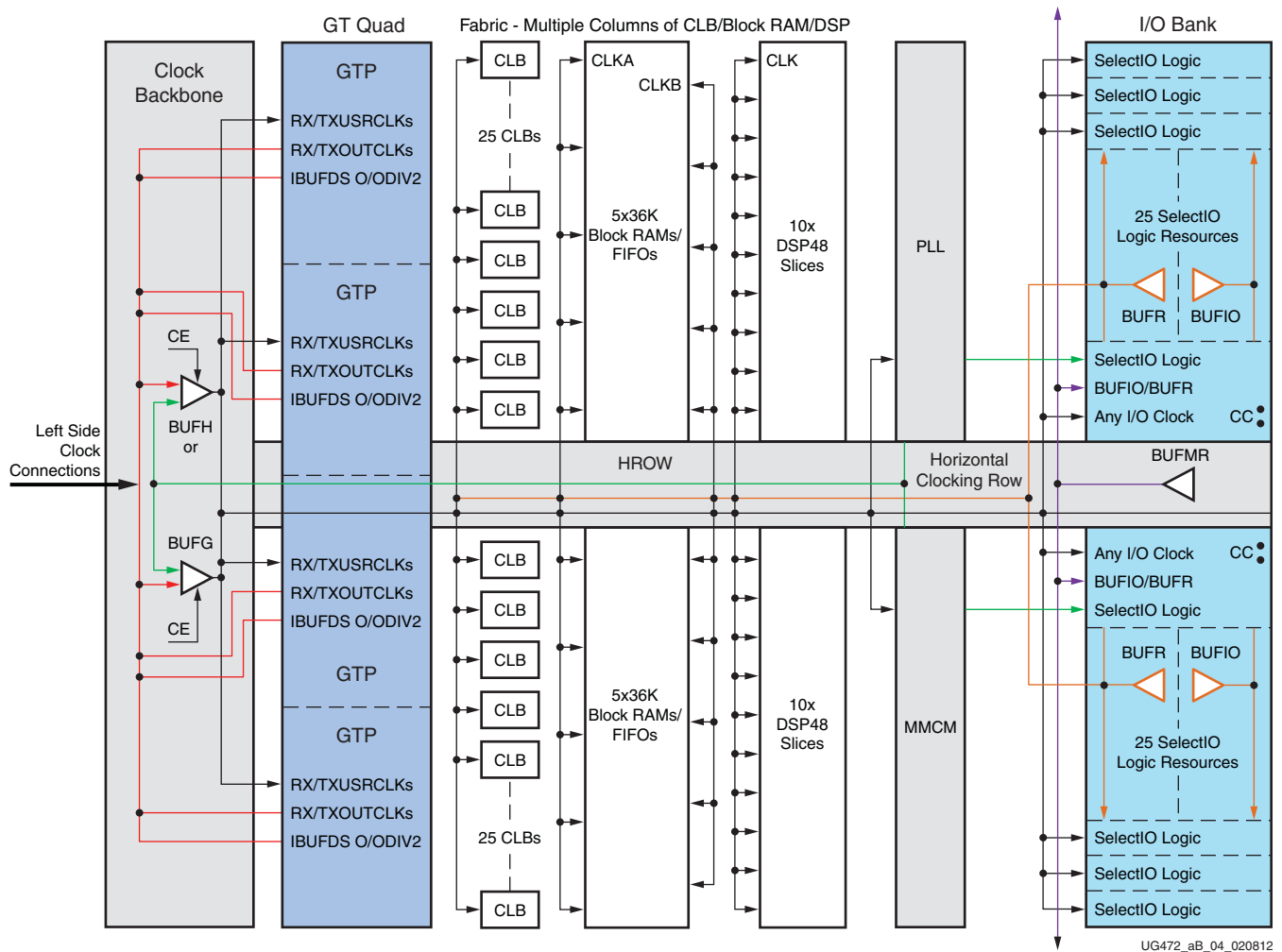
Note: See Figure B-4 for the XC7A200T diagram.



UG472_ab_03_011713

Figure B-3: Clock Region in Spartan-7 FPGAs, Kintex-7 FPGAs, and all Artix-7 FPGAs (except for the XC7A200T) with GT Transceivers and No I/O Banks (Right Side)

Note: See [Figure B-4](#) for the XC7A200T diagram.



UG472_aB_04_020812

Figure B-4: Clock Region in a Artix-7 XC7A200T Device with GTP Transceivers and I/O Banks (Right Side)