

Department of Electrical and Computer Engineering  
The University of Texas at Austin

EE 306, Fall 2011  
Yale Patt, Instructor  
Faruk Guvenilir, Milad Hashemi, Jennifer Davis, Garrett Galow,  
Ben Lin, Taylor Morrow, Stephen Pruett, and Jee Ho Ryoo, TAs  
Exam 1, September 28, 2011

Name: \_\_\_\_\_

Problem 1 (30 points): \_\_\_\_\_

Problem 2 (20 points): \_\_\_\_\_

Problem 3 (15 points): \_\_\_\_\_

Problem 4 (15 points): \_\_\_\_\_

Problem 5 (20 points): \_\_\_\_\_

Total (100 points): \_\_\_\_\_

Note: Please be sure that your answers to all questions (and all supporting work that is required) are contained in the space provided.

Note: Please be sure your name is recorded on each sheet of the exam.

**I will not cheat on this exam.**

\_\_\_\_\_  
Signature

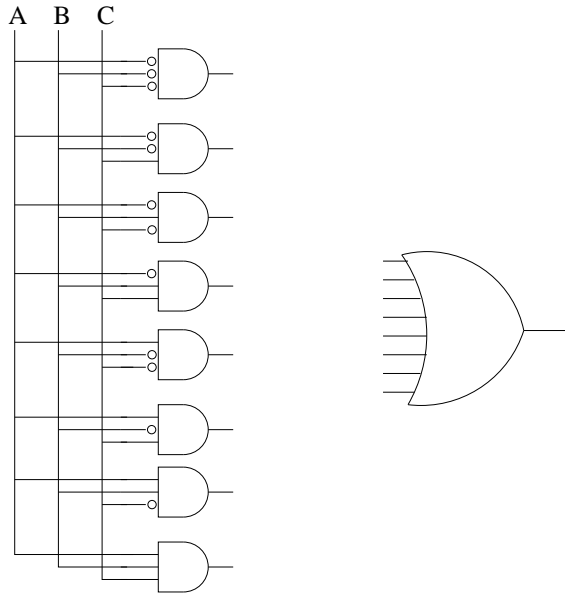
**GOOD LUCK!**

Name: \_\_\_\_\_

**Problem 1.** (30 points):

**Part a.** (5 points): A function is described by the truth table shown on the left below. Your job: Complete the logic implementation shown on the right by adding the appropriate connections.

A	B	C	Out
0	0	0	1
0	0	1	1
0	1	0	0
0	1	1	0
1	0	0	1
1	0	1	0
1	1	0	0
1	1	1	1



**Part b.** (5 points): We have talked about binary, decimal, and hexadecimal. In this problem we are talking about octal, i.e., base-8 representation. Two 3-digit octal numbers are added, and the result, in octal, is 603. One of the numbers is 374. The other number is:

**Part c.** (5 points): The same 8-bit (one byte) code can represent a number of different values, depending on the data type. For each of the data types in the table below, what is the value of the code 01000000?

ASCII	
2's Complement Integer	
Unsigned Integer	

Name: \_\_\_\_\_

**Part d.** (5 points): We are just about ready to start writing programs that will execute on the LC-3. One of the instructions the LC-3 can execute is the ADD instruction, which adds two 16-bit 2's complement integers. Suppose the two integers we wish to add are

01xxxxx111000xxx  
10xxxxx001100xxx

where some of the bits have not been identified, and so are represented by x.

Can the sum of the two integers (with x replaced by 0 or 1) ever result in an overflow?

**YES NO (circle one)**

If yes, give an example. If no, explain why not in 20 words or fewer.

**Part e.** (5 points): Assume a new 8-bit floating point data type, where bit[7] is the sign, bits[6:4] represent the exponent in an excess code, and bits[3:0] represent the fraction bits. The number  $3 \frac{1}{8}$  is represented exactly as:

01001001

What is the bias of the excess code?

**Part f.** (5 points): In class we showed the first few states of the finite state machine that is required for processing instructions of a computer program written for LC-3. In the first state, the computer does two things, represented as:

MAR  $\leftarrow$  PC  
PC  $\leftarrow$  PC+1

Why does the microarchitecture put the contents of the PC into the MAR?

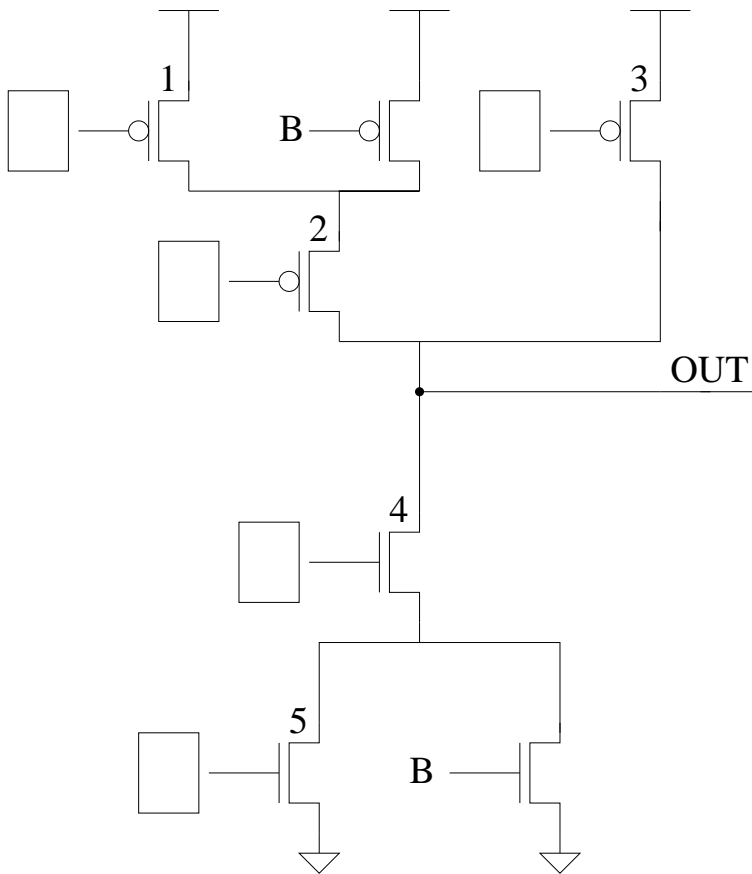
Why does the microarchitecture increment the PC?

Name: \_\_\_\_\_

**Problem 2.** (20 points): The transistor circuit shown below produces the accompanying truth table. The inputs to some of the gates of the transistors are not specified. Also, the outputs for some of the input combinations of the truth table are not specified.

Your job: Complete both specifications. i.e., all transistors will have their gates properly labeled with either A, B, or C, and all rows of the truth table will have a 0 or 1 specified as the output.

Note that this is not a problematic circuit. For every input combination, either the output is connected to ground (i.e., OUT=0) or to the positive end of the battery (i.e., OUT=1).



A	B	C	OUT
0	0	0	
0	0	1	
0	1	0	
0	1	1	1
1	0	0	1
1	0	1	0
1	1	0	
1	1	1	

Name: \_\_\_\_\_

**Problem 3.** (15 points): Most word processors will correct simple errors in spelling and grammar. Your job is to specify a finite state machine that will capitalize the personal pronoun I in certain instances if it is entered as a lower case i.

For example, **i think i'm in love** will be corrected to **I think I'm in love**.

Input to your finite state machine will be any sequence of characters from a standard keyboard. Your job is to replace the **i** with an **I** if

- the i is the first character input or is preceded by a \*space\*, and
- the i is followed by a \*space\* or by an \*apostrophe\*.

Shown below is a finite state machine with some of the inputs and some of the outputs unspecified. Your job is to complete the specification.

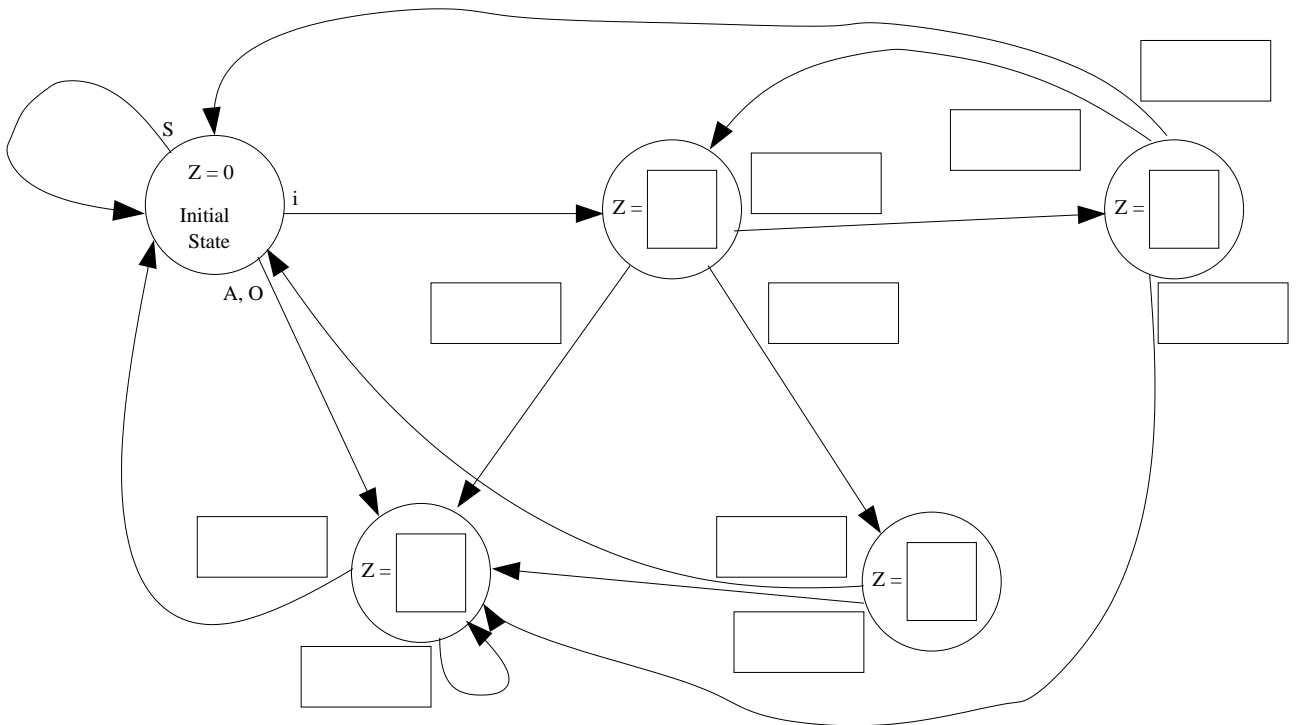
Inputs are from the set {i, A, S, O}, where A represents an apostrophe,  
 S represents a space,  
 O represents any character other than i, apostrophe, or \*space\*.

The output Z corresponding to each state is 0 or 1, where 0 means “do nothing,”  
 1 means “change the most recent i to an I.”

Note: this exercise in developing a finite state machine word processor is only a first step since a lot of “i to I” will not fix the problem. For example,

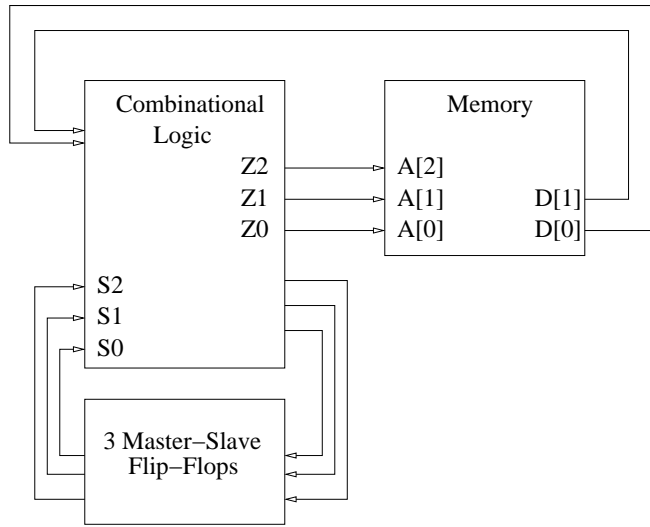
i' am —> I' am, i'abcd —> I'abcd, and i'i —> I'i are all bad!

But it is a first step!



Name: \_\_\_\_\_

**Problem 4.** (15 points): A finite state machine is connected to a  $2^3$  by 2 bit memory as shown below:



The contents of the memory are shown below to the left. The next state transition table is shown below to the right.

Address	Content	Current State	Next State			
A[2:0]	D[1:0]	S[2:0]	D[1:0]	D[1:0]	D[1:0]	D[1:0]
000	11		00	01	10	11
001	10	000	001	010	110	100
010	01	001	100	000	011	110
011	10	010	010	100	111	010
100	01	011	001	100	100	010
101	00	100	110	011	011	111
110	00	101	100	010	100	110
111	01	110	001	110	100	010
		111	000	101	111	101

The output Z0, Z1, Z2 is the current state of the finite state machine. That is, Z0=S0, Z1=S1, Z2=S2.

The cycle time of the finite state machine is long enough so that during a single cycle, the following happens: the output of the finite state machine accesses the memory and the data supplied by the memory is input to the combinational logic which determines the next state of the machine.

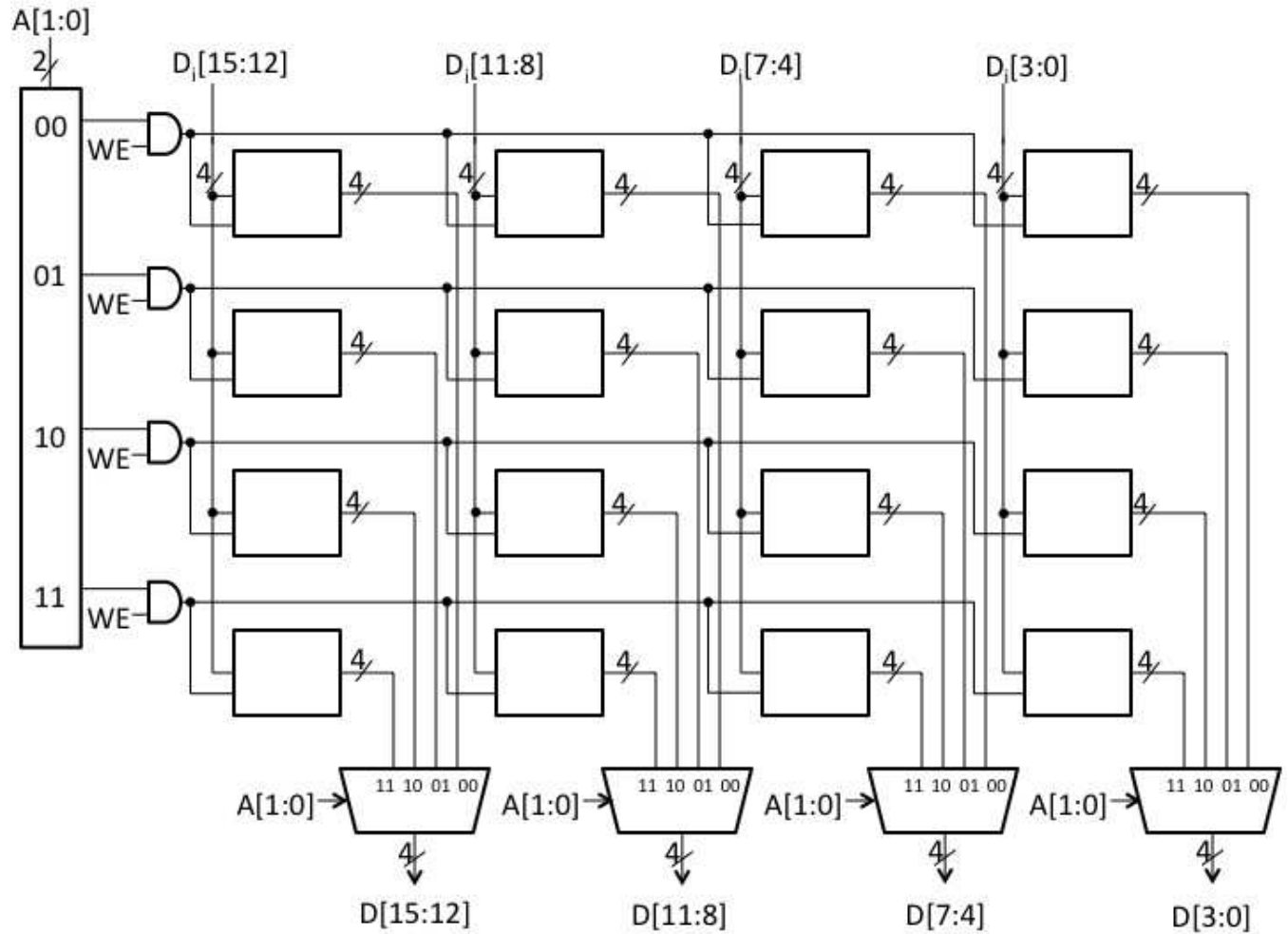
**Part a:** Complete the table below:

Cycles	State	Data
Cycle 0	000	11
Cycle 1		
Cycle 2		
Cycle 3		

**Part b:** What will the state of the FSM be just before the end of cycle 100? Why?

Name: \_\_\_\_\_

**Problem 5.** (20 points): Recall the  $2^2$  by 16-bit memory from problem 6 of problem set 3. It is reproduced below. Recall that each of the four muxes on the diagram have 4-bit input sources and a 4-bit output, and that each 4-bit source is the output of a single 4-bit memory cell.



Name: \_\_\_\_\_

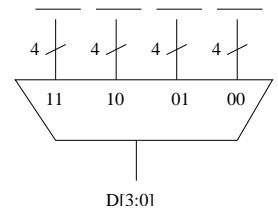
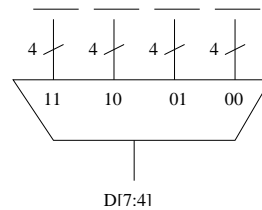
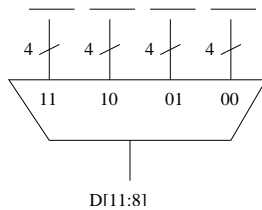
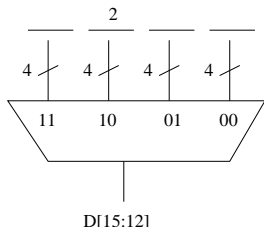
**Part a:** Unfortunately, the memory was wired by an engineering student from an un-named university, and he got the inputs to some of the muxes mixed up. That is, instead of the 4 bits from a memory cell going to the correct 4-bit input of the mux, the 4 bits all went to one of the other 4-bit sources of that mux. The result was, as you can imagine, a mess.

To figure out the mix-up in the wiring, the following sequence of memory accesses was performed:

Read/Write	MDR	MAR
Write	x134B	01
Write	xFCA2	10
Write	xBEEF	11
Write	x072A	00
Read	xF34F	10
Read	x1CAB	01
Read	x0E2A	00

**Note:** On a write, MDR is loaded before the access. On a read, MDR is loaded as a result of the access.

Your job is to identify the mix-up in the wiring. Show which memory cells were wired to which mux inputs by filling in their corresponding addresses in the blanks provided. Note that one address has already been supplied for you.





Name: \_\_\_\_\_

**Part b:** After rewiring the muxes correctly and initializing all memory cells to **xF**, the following sequence of accesses was performed. Note that some of the information about each access has been left out.

Your job: Fill in the blanks.

Read/Write	MDR	MAR
Write	x72 ____	0__
Write	x8FAF	11
Read	x72A3	__0
Read	xFFFF	1__
Write	x732D	__1
Read	xFFFF	0__
Write	x__7____	0__
Read	x37A3	__1
Read	x_____D	__1

Show the contents of the memory cells by putting the hex digit that is stored in each after all the accesses have been performed.

Address	D[15:12]	D[11:8]	D[7:4]	D[3:0]
00	<input type="text"/>	<input type="text"/>	<input type="text"/>	<input type="text"/>
01	<input type="text"/>	<input type="text"/>	<input type="text"/>	<input type="text"/>
10	<input type="text"/>	<input type="text"/>	<input type="text"/>	<input type="text"/>
11	<input type="text"/>	<input type="text"/>	<input type="text"/>	<input type="text"/>