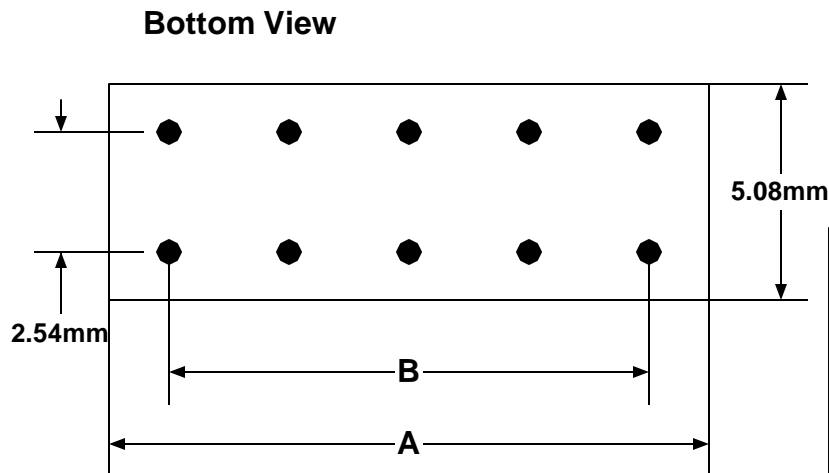
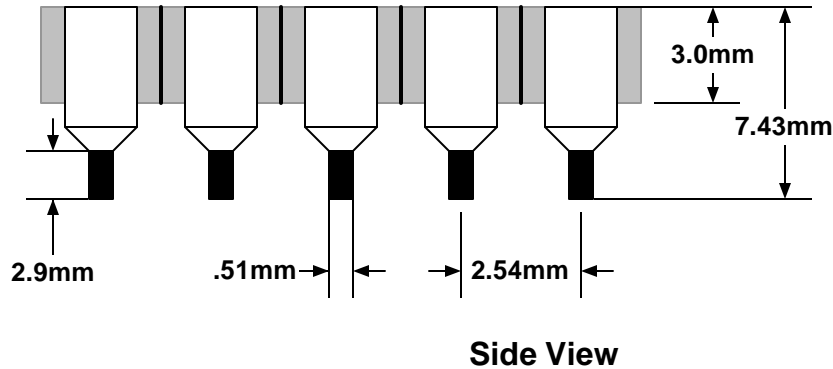
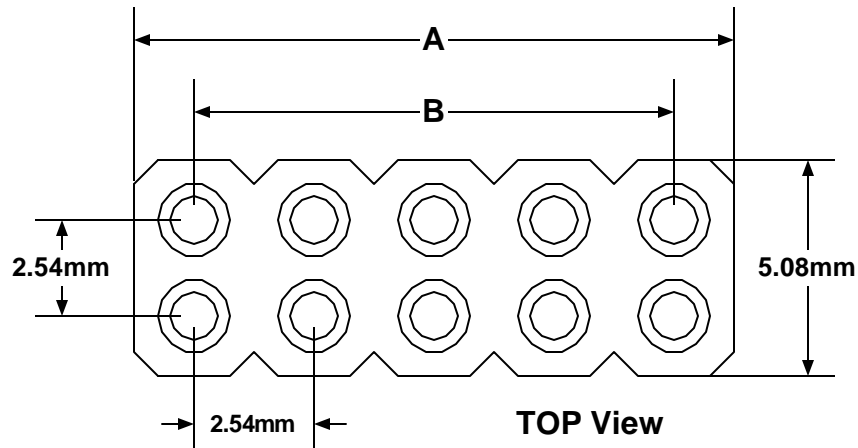


Distributed by:

JAMECO[®]
ELECTRONICS

www.Jameco.com ♦ 1-800-831-4242

The content and copyrights of the attached
material are the property of its owner.



Technical Data

Material:

Pin (outer sleeve): brass, machined
 Clip (contact 4 finger): beryllium copper, heat treated
 Plating (outer sleeve): tin plated = 2um/80u nickel; 5um/200u tin; Gold plated = 2um/80u nickel; gold
 Plating (contact): 2um/80u nickel; gold
 Insulator or body (housing): Polyimide glass filled (94V-0)

Electrical:

Current rating: 3Amps / contact maximum
 Contact resistance: 4m ohms / contact
 Insulation resistance: >1000M ohms @ V=100V
 Operating: 60VAC/VDC

Mechanical

Operating temperature: gold plated = -55 to +125 degrees C; tin plated = -40 to +105 degrees C
 Average insertion force: <250g with steel pin of 0.43mm / 0.017" diameter
 Mechanical life: minimum 2000 cycles
 Soldering temperature: 260 degrees C, 10s maximum

Part Number	Position	Dimension A	Dimension B
212855	10	12.70 mm	10.16 mm
212863	12	15.24 mm	12.70 mm
212871	14	17.78 mm	15.24 mm
212880	16	20.32 mm	17.78 mm
212898	18	22.86 mm	20.32 mm
212901	22	27.94 mm	25.40 mm
212919	24	30.48 mm	27.94 mm
212927	32	40.64 mm	38.10 mm
212935	48	60.96 mm	58.42 mm

SA Double Row Socket				
SIZE		FSCM NO	DWG NO	REV
SCALE			SHEET	